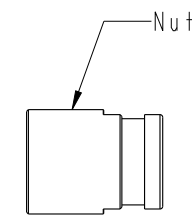
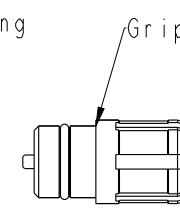
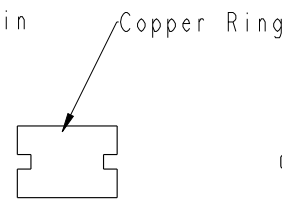
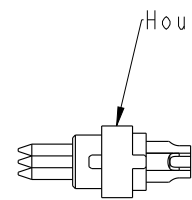
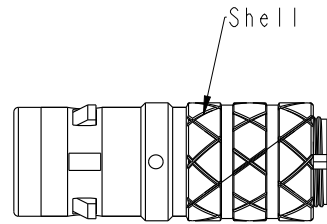
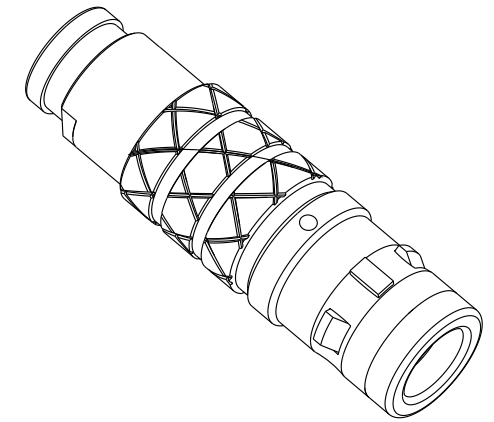
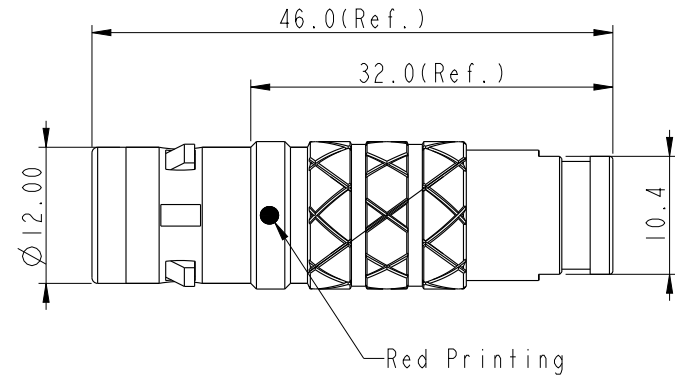
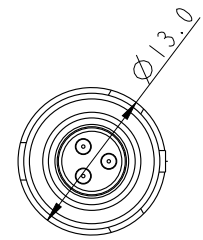


THIS DOCUMENT IS SUBJECT TO CHANGE WITHOUT NOTICE. IT IS CONFIDENTIAL AND A PROPERTY OF AMPHENOL LTW. DISCLOSURE TO THIRD PARTY HAS TO BE AUTHORIZED BY AMPHENOL LTW.

REV.	ECN NO.	DATE	SIGN	DESCRIPTION



- Notes:
- * CC Important Dimensions To Check
 - * Waterproof Rate: IP68. (Mated)
 - * Male Pin: Copper Alloy, Gold Plated.

UNIT: mm
 TOLERANCE
 $\pm 0.5\text{MM}$

TITLE FLO PLUS K C SIZE CONNECTOR			
SCALE 1:1	SIZE A4	SHEET 1 OF 2	
REV. A	WC-REV. .0	CC : Inspection item	

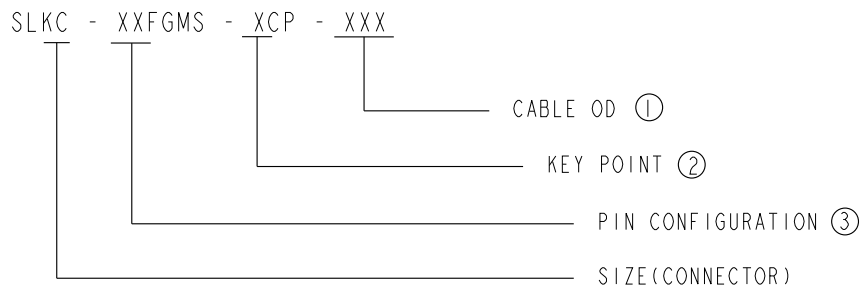
Amphenol LTW
 安費諾亮泰企業股份有限公司

ITEM NO.	DRAWN BY Ouyang	DATE 2019-12-16
DWG NO. SLKC-XXFGMS-XCP-XXX	CHECKED BY Jerry	DATE 2019-12-16
CUSTOMER ALTW	APPROVED BY Fred	DATE 2019-12-16

THIS DOCUMENT IS SUBJECT TO CHANGE WITHOUT NOTICE. IT IS CONFIDENTIAL AND A PROPERTY OF Amphenol LTW. DISCLOSURE TO THIRD PARTY HAS TO BE AUTHORIZED BY Amphenol LTW.

REV.	ECN NO.	DATE	SIGN	DESCRIPTION

IK-SERIES CABLE COLLET(CABLE OD)			
CABLE CLAMP SET		CABLE DIA RANGE	
TYPE	CODE ①	MAX	MIN
SLKC-XXFGMS-XCP-XXX	206	4.0	3.8
	208	4.6	4.4
	210	5.1	4.8
	212	5.5	5.3
	213	6.1	5.8
	--	--	--



KEY POINT					
CODE ②	G	A	B	C	D
	0°	30°	45°	60°	95°
GRAPHIC					

PIN CONFIGURATION (Solder Definition) ③										
GRAPHIC										
	2 PIN	3 PIN	4 PIN	5 PIN	6 PIN	7 PIN	8 PIN	10 PIN	14 PIN	16 PIN

UNIT:mm		TITLE	FLO PLUS K C SIZE CONNECTOR		
TOLERANCE	±0.5mm	SCALE	1:1	SIZE	A4
		REV.	A	WC-REV.	.0
		SHEET 2 OF 2			QC: Inspection item

Amphenol LTW
安費諾亮泰企業股份有限公司

ITEM NO	DRAWN BY	DATE
DWG NO	CHECKED BY	DATE
CUSTOMER	APPROVED BY	DATE