

Change Notice

M, EB & MB2400 Series

Discontinuation of AT618 LED & AT213 Bezel & Alternates AT617 LED & AT212 Bezel

Type of Change:

- Engineering Part Number
 Product Appearance

The AT618 LED and AT213 Bezel used in M Series Rockers, EB Series Pushbuttons and MB2400 Series Pushbuttons will be discontinued. This will include the red, yellow and green LEDs for AT618. The AT213 Bezel accommodates two rectangular AT618 LEDs, and the alternate AT212 Bezel accommodates two round AT617 LEDs. The LED specifications table below compares the values between AT618 and AT617 LEDs. Page 2 shows differences between the discontinued bezel and LED, and the alternate bezel and LED, plus a table displaying the discontinued part numbers and alternate part numbers. The changes will effect both standard and custom switches.



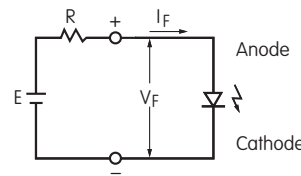
MB2400 Series Pushbutton with alternate AT212 Bezel and AT617 LEDs

DIFFERENCES IN SPECIFICATIONS BETWEEN AT618 & AT617 LEDs

Electrical specifications are determined at a basic temperature of 25°C. LED circuit is independent of switch operation.		Discontinued AT618 LED			Alternate AT617 LED		
		C	E	F	C	E	F
Color		Red	Yellow	Green	Red	Yellow	Green
Maximum Forward Current	I_{FM}	25mA	30mA	25mA	30mA	30mA	30mA
Typical Forward Current	I_F	20mA	20mA	20mA	20mA	20mA	20mA
Forward Voltage	V_F	2.25V	2.1V	2.2V	2.1V	2.1V	2.2V
		$I_F = 20mA$	$I_F = 20mA$	$I_F = 20mA$	$I_F = 20mA$	$I_F = 20mA$	$I_F = 20mA$
Maximum Reverse Voltage	V_{RM}	5V	5V	5V	5V	5V	5V
Current Reduction Rate Above 25°C	ΔI_F	0.33mA/°C	0.40mA/°C	0.33mA/°C	0.40mA/°C	0.40mA/°C	0.40mA/°C
Ambient Temperature Range		-25°C ~ +70°C			-15°C ~ +70°C		

Notes

- The LED circuit is isolated and requires an external power source.
- For best results and safe use of LEDs, the supply voltage should be more than the LED forward voltage. Also, an appropriately valued ballast resistor should be used. Without the ballast resistor, the LED will be damaged or destroyed. The resistor value can be calculated by using the formula shown here.
- There are no changes to the switches' external dimensions.
- Contact information is below if more details are needed.



$$R = \frac{E - V_F}{I_F}$$

Where: R = Resistor Value (Ohms)
 E = Source Voltage (V)
 V_F = Forward Voltage (V)
 I_F = Forward Current (A)

Effective Date

Orders for the discontinued AT618 LED and the AT213 Bezel will be accepted through November 1, 2021. The end of sales date is November 1, 2021. Sales of AT617 LED and AT212 Bezel are ongoing.

NKK
SWITCHES

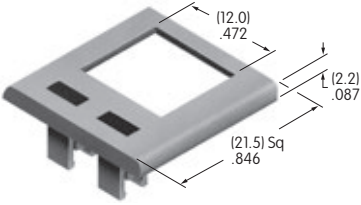
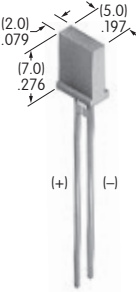
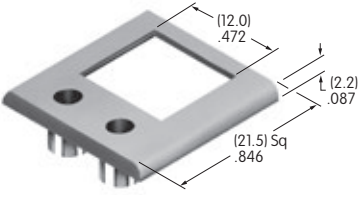
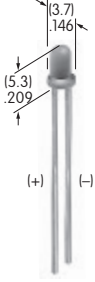
www.nkkswitches.com • 1.877.2BUYNKK (228.9655)

7850 East Gelding Drive • Scottsdale, AZ 85260 • Telephone 480.991.0942 • Fax 480.998.1435

Change Notice

M, EB & MB2400 Series

Discontinuation of AT618 LED & AT213 Bezel & Alternates AT617 LED & AT212 Bezel

DIFFERENCES IN SHAPES & DIMENSIONS			
Discontinued AT213 Bezel & AT618 LED		Alternate AT212 Bezel & AT617 LED	
 <p>Bezel Color: Black</p>	 <p>LED Colors: Red Yellow Green</p>	 <p>Bezel Color: Black</p>	 <p>LED Colors: Red Yellow Green</p>

The illustrations above display the physical similarities and differences between the discontinued bezel and LED and the alternate bezel and LED. At right are the specific part numbers for each discontinued item and the corresponding alternate part numbers.

Discontinued Part No.	Alternate Part No.
Bezel	Bezel
AT213A	AT212A
LED	LED
AT618C	AT617C
AT618E	AT617E
AT618F	AT617F

DISCONTINUED ASSEMBLED PART NUMBERS					
M Series			EB Series		MB2400 Series
M2012TJG01-FA-4A-FC	M2022TJG01-FA-4A-CE	M2023TJW01-GA-4A-CF	EB2011-A-J24ACC	EB2011G-B-J24AFF	MB2411JA01-F-4A-FE
M2012TJW01-FA-4A-FF	M2022TJG01-FB-4A-FF	M2024TJW01-FA-4A-FC	EB2011-A-J24AEF	EB2011P-B-J24ACF	MB2411JW01-A-4A-EF
M2012TJW01-GH-4A-EE	M2022TJG01-GB-4A-EE	M2024TJW01-FA-4A-FF	EB2011-A-J24AFE	EB2065-A-J34ACF	MB2411JW01-F-4A-FE
M2012TJW02-FA-4A-EE	M2022TJW01-FA-4A-CE	M2025TJW01-FA-4A-FC	EB2011-A/1-J24AEF	EB2085-A-J34ACF	MB2411JW01-H-4A-CF
M2013TJG01-FA-4A-FF	M2022TJW01-FA-4A-CF	M2026TJW01-FC-4A-CF	EB2011-B-J24AFC	EB2085-B-J34AFF	MB2411JW01-H-4A-FE
M2013TJW01-FA-4A-CE	M2022TJW01-FA-4A-FC	M2028TJG01-GB-4A-CC	EB2011-C-J24AFE	EB2085-B-J53AEF	MB2461JW01-A-4A-EF
M2013TJW01-FA-4A-CF	M2022TJW01-SA-4A-CC	M2028TJG01-GB-4A-EE	EB2011G-A-J24ACF	EB2085-G-J54ACF	
M2013TJW02-FA-4A-FE	M2023TJG01-GB-4A-CF	M2028TJG01-GB-4A-FE	EB2011G-A-J24ACF	EB2085P-A-J34ACE	
M2018TJG01-FA-4A-FF	M2023TJW01-FA-4A-CF	M2028TJG01-GB-4A-FF	EB2011G-B-J24AFC	EB2085P-A-J34AEF	
M2018TJG01-FC-4A-EF	M2023TJW01-FA-4A-EC	M2028TJW01-FA-4A-FC	EB2011G-B-J24AFE		
M2018TJW01-FA-4A-CF	M2023TJW01-FC-4A-FF	M2028TJW01-GA-4A-CF			
M2018TJW01-GA-4A-CF	M2023TJW01-FG-4A-FF				

Note: Part numbers above include those sold by NKK Switches within the past three years, but do not include all possible combinations for each of the series.



www.nkkswitches.com • 1.877.2BUYNKK (228.9655)
7850 East Gelding Drive • Scottsdale, AZ 85260 • Telephone 480.991.0942 • Fax 480.998.1435