

## Amphenol Canada Corp - Product Change Notice (PCN)

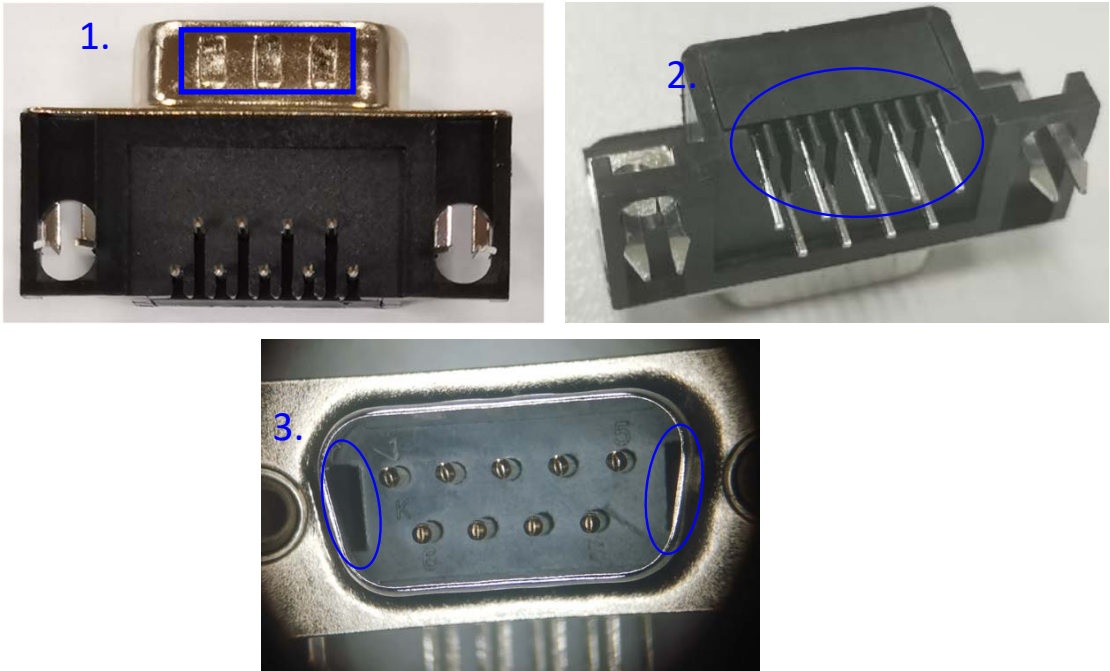
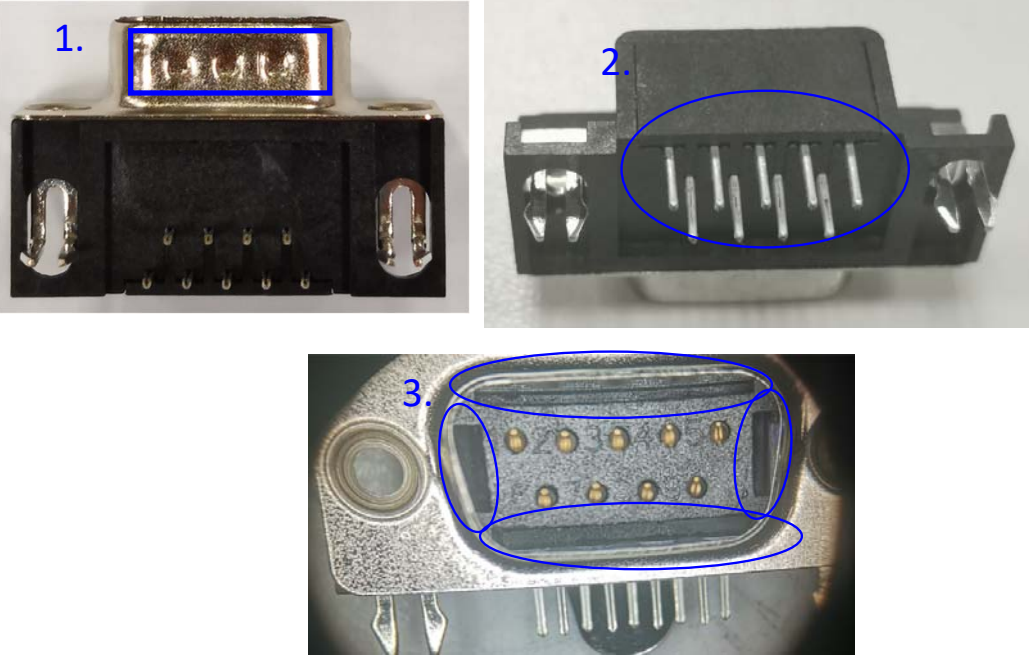
PCN Date	Feb.17,2022
Supplier Name:	Amphenol Canada Corp.
Amphenol Canada PCN Number	PCN-C1648
Description of Change	Appearance and contact tail plating are different.
Reason for Change	The mould of the original D-sub are aging and out of control lead time for D-sub parts.
Summary of changes between new and old part	All of the contact tail are tin plating. See the next page for the detail
Traceability guidelines (lot code / date code, markings, ship date...)	Data code - 2215
Last Time Buy Date	N/A
Datasheet attached? & Filename(s)	Refer to page 2 & 3 & 4
Qual Test data attached? & Filename(s)	N/A

Customer Part Number	Amphenol Old Part Number	Amphenol New Part Number	PCN Effectivity Date	Samples Availability Date	Last Time Buy Date	Expected Supplier Qual Date
NA	6E17C009PAJ121 6E17C015PAJ121 6E17C025PAJ121 6E17C009PBF221 6E17C009PAJ221 6E17C037PAJ121	Unchanged	11-Apr-22	01-Apr-22	NA	NA
			Estimated	For new sample		

6E17C009PAJ121

Old

New

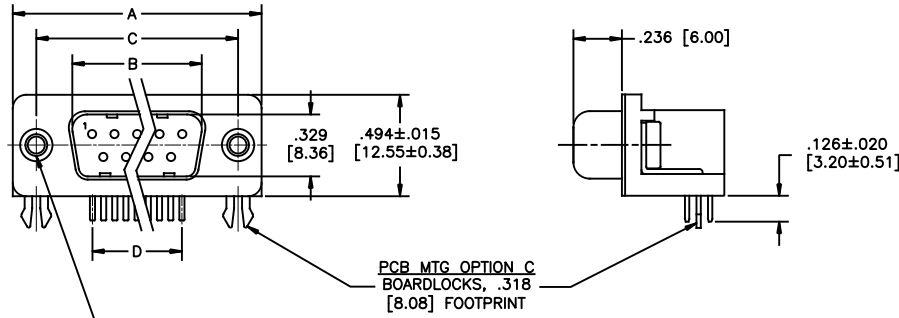


- 1. Old version front shell tines appearance is minor difference with new version.
- 2. Contact tails are gold flash plated.
- 3. Old version product has not slot after rear insert assembly.
- 4. Old version insert has plastic core out in both side, top and bottom.

- 1. New version front shell tines appearance is minor difference with old version.
- 2. Contact tails are tin plated.
- 3. New version product has slot in the contact tails area after assembly rear insert.
- 4. New version front insert just has plastic core out in both side.

**.318 [8.08] FOOTPRINT  
(STANDARD PCB LAYOUT)**

REVISIONS			
REV	ECN, ERN NO.	DATE	APPRD.
D	PRODUCT DRAWING (EAR 14829)	JUN11/20	K.L.
E	PRODUCT DRAWING (EAR 15082)	MAR01/22	A.G.



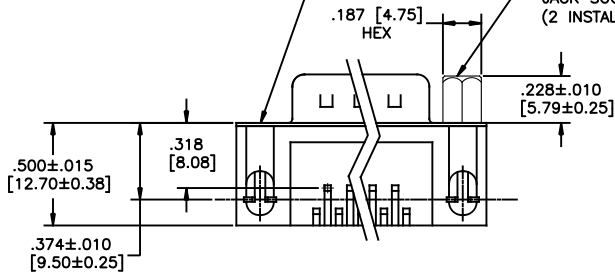
**DIMENSIONS**

SIZE	A±.015 [0.38]	B±.005 [0.13]	C±.005 [0.13]	D BSC.
009	1.213 [30.81]	.666 [16.92]	.984 [24.99]	.432 [10.97]
015	1.541 [39.14]	.994 [25.25]	1.312 [33.32]	.756 [19.20]
025	2.088 [53.04]	1.534 [38.96]	1.852 [47.04]	1.304 [33.12]
037	2.729 [69.32]	2.182 [55.42]	2.500 [63.50]	1.956 [49.68]

PANEL MTG OPTIONS 0 OR 1  
.120 [3.05] DIA. OR #4-40  
THROUGH HOLES (2 PLACES),  
SEE ORDERING CODE.

PANEL MTG OPTION 2  
#4-40 UNC THREADED HEX  
JACK SOCKET  
(2 INSTALLED)

PCB MTG OPTIONS D OR J  
Ø.120 [3.05] MTG HOLE OR  
#4-40 THREADED MTG HOLE,  
.318 [8.08] FOOTPRINT



**ORDERING CODE:**

PART NUMBER: 6 E 1 7 X - X X X P X X - X 2 1 X

SERIES

PCB MTG OPTIONS

C=BOARDLOCK OPTION,  
.318 [8.08] FOOTPRINT  
D=Ø.120 [3.05] MTG HOLE,  
.318 [8.08] FOOTPRINT  
J=#4-40 THREADED MTG HOLE,  
.318 [8.08] FOOTPRINT  
U=Ø.120 [3.05] MTG HOLE,  
.590 [14.99] FOOTPRINT  
Y=BOARDLOCK OPTION,  
.590 [14.99] FOOTPRINT

NUMBER OF CONTACTS

009, 015, 025, 037

STYLE

P=PIN

PCB LAYOUT CODE

NO DIGIT=STANDARD MOUNTING HOLE POSITION  
.374 [9.50] DIM'N FOR .318 [8.08] F/P  
.315 [8.00] DIM'N FOR .590 [14.99] F/P  
E=.646 [16.41] DIM'N FOR .590 [14.99] F/P

SHELL CHARACTERISTICS

21=NICKEL PLATED PLUG SHELL WITH GROUNDING INDENTS

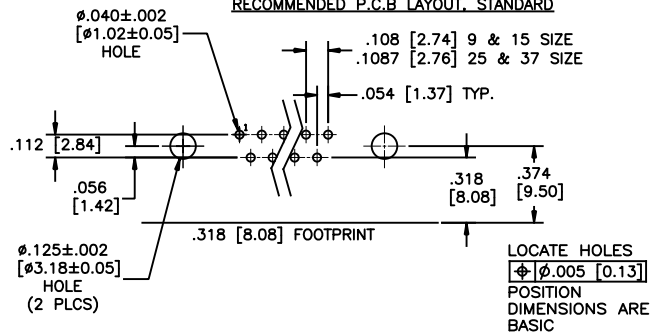
PANEL MOUNTING OPTIONS

0=Ø.120" [3.05] THROUGH HOLE  
1=#4-40 THREADED HOLE  
2=MOUNTING OPTION 1 WITH #4-40  
UNC HEX JACK SOCKETS INSTALLED

CONTACT PLATING OPTIONS

BF=ENGAGEMENT AREA 3µ" [0.08 MICRONS] GOLD FLASH  
CF=ENGAGEMENT AREA 15µ" [0.38 MICRONS] GOLD  
AJ=ENGAGEMENT AREA 30µ" [0.76 MICRONS] GOLD

**RECOMMENDED P.C.B LAYOUT, STANDARD**

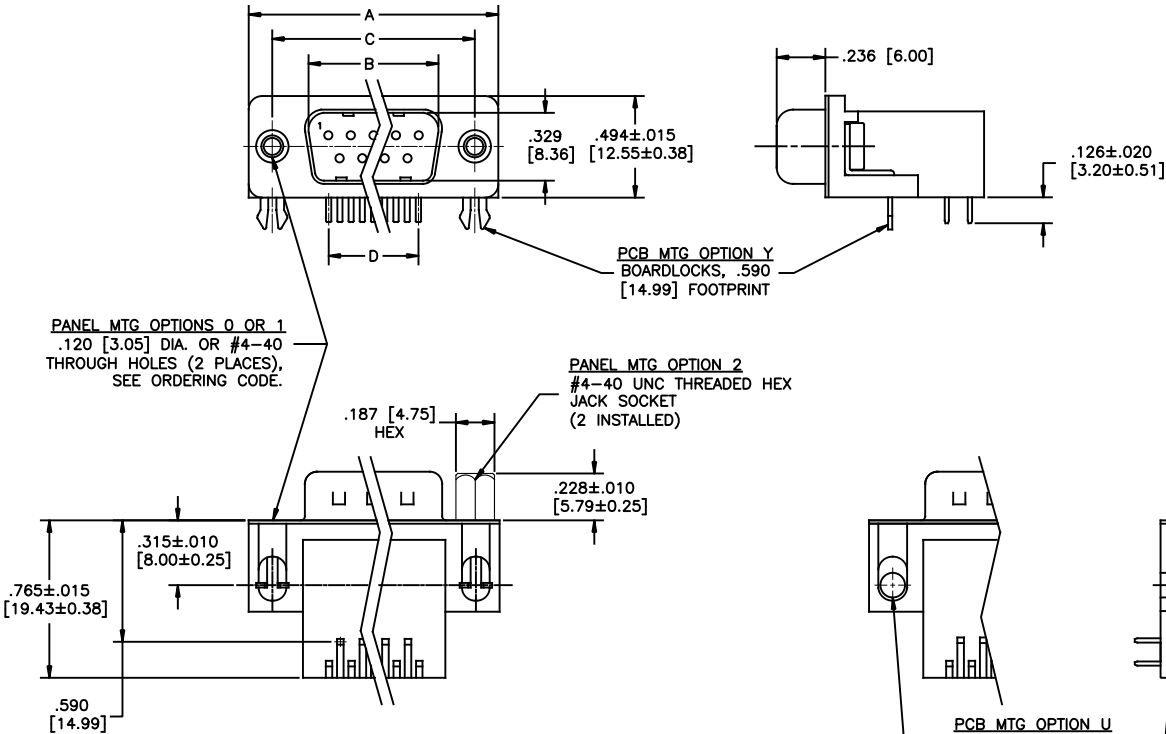


SEE SHEET 2 FOR NOTES & SPECIFICATIONS

DRAWN	A.CHENG	DATE	APR17/06	<b>Amphenol Canada Corp.</b> Commercial Products TITLE 6E17 SERIES D-SUB CONNECTOR, 9 TO 37 SIZE PIN, RIGHT ANGLE WITH F/P, MTG AND PLATING OPTIONS, RoHS COMPLIANT
DESIGNED				
CHECKED	K.LAMBIE	DATE	APR17/06	
I. E. APPRD.				
Q. A. APPRD.				
DWG. APPRD.				
ENG. REL. NO.		DWG	DRAWING NO.	REV.
REF.	EAR 12932	C	P-6E17X-XXXPXX-X21X	E
DIMENSIONS ARE IN INCHES		SCALE	2/1	WT. -----
				SURF. -----
				SHEET 1 OF 2

THIS DOCUMENT CONTAINS PROPRIETARY INFORMATION AND SUCH INFORMATION  
MAY NOT BE DISCLOSED TO OTHERS FOR ANY PURPOSE OR USED FOR MANUFACTURING  
PURPOSES WITHOUT WRITTEN PERMISSION FROM AMPHENOL CANADA CORP.

**.590 [14.99] FOOTPRINT**  
(STANDARD PCB LAYOUT)



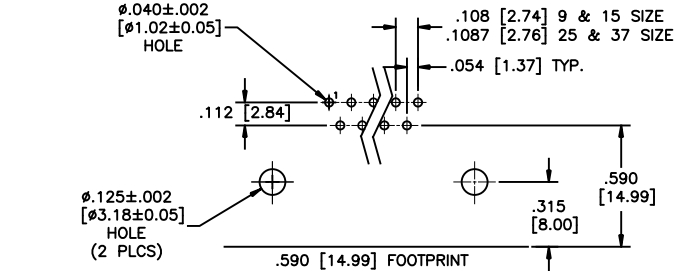
**PANEL MTG OPTIONS 0 OR 1**  
.120 [3.05] DIA. OR #4-40 THROUGH HOLES (2 PLACES), SEE ORDERING CODE.

**PANEL MTG OPTION 2**  
#4-40 UNC THREADED HEX JACK SOCKET (2 INSTALLED)

**PCB MTG OPTION Y**  
BOARDLOCKS, .590 [14.99] FOOTPRINT

**PCB MTG OPTION U**  
Ø.120 [3.05] MTG HOLE, .590 [14.99] FOOTPRINT

**RECOMMENDED P.C.B LAYOUT, STANDARD**



**LOCATE HOLES**  
Ø.005 [0.13]  
POSITION DIMENSIONS ARE BASIC

**DIMENSIONS**

SIZE	A±.015 [0.38]	B±.005 [0.13]	C±.005 [0.13]	D BSC.
009	1.213 [30.81]	.666 [16.92]	.984 [24.99]	.432 [10.97]
015	1.541 [39.14]	.994 [25.25]	1.312 [33.32]	.756 [19.20]
025	2.088 [53.04]	1.534 [38.96]	1.852 [47.04]	1.304 [33.12]
037	2.729 [69.32]	2.182 [55.42]	2.500 [63.50]	1.956 [49.68]

**SPECIFICATIONS:**

**MATERIALS:** ALL MATERIALS ARE RoHS COMPLIANT

**SHELL:** SPCC, NICKEL PLATED.

**INSERTS:** HIGH TEMPERATURE RESISTANT NYLON, GLASS REINFORCED, UL FLAMMABILITY RATING 94V-0, COLOUR: BLACK

**CONTACTS:** COPPER ALLOY, GOLD PLATING (SEE ORDERING CODE) OVER 50µ" [1.27 MICRONS] NICKEL ON ENGAGEMENT AREA WITH 100µ" [2.54 MICRONS] MIN. TIN ON CONTACT TERMINALS.

**BOARDLOCK:** COPPER ALLOY, TIN PLATED

**GENERAL TOLERANCE:** ±.008 [0.20] UNLESS INDICATED OTHERWISE

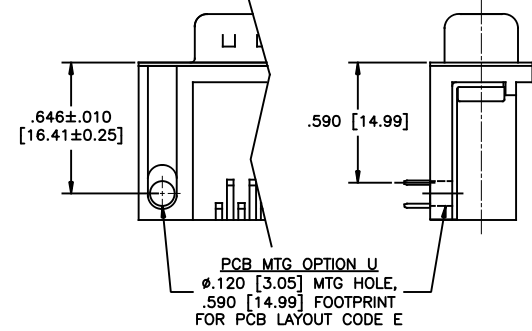
**ELECTRICAL DATA:**

**CURRENT RATING:** 5 AMP  
**CONTACT RESISTANCE:** 15 MILLIOHMS MAX.  
**INSULATION RESISTANCE:** 3000 MEGOHMS MIN.  
**DIELECTRIC WITHSTANDING VOLTAGE:** 1000 VAC rms  
**OPERATING TEMPERATURE:** -55°C TO +105°C

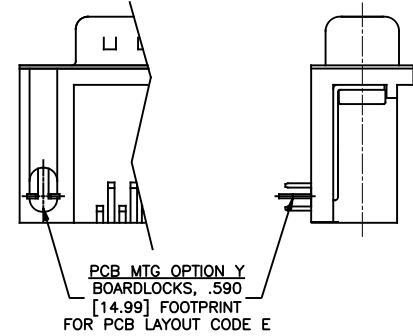
THIS DOCUMENT CONTAINS PROPRIETARY INFORMATION AND SUCH INFORMATION MAY NOT BE DISCLOSED TO OTHERS FOR ANY PURPOSE OR USED FOR MANUFACTURING PURPOSES WITHOUT WRITTEN PERMISSION FROM AMPHENOL CANADA CORP.

REVISIONS			
REV	ECN, ERN NO.	DATE	APPRD.
D	PRODUCT DRAWING (EAR 14829)	JUN12/20	K.L.
E	PRODUCT DRAWING (EAR 15082)	MAR01/22	A.G.

**.590 [14.99] FOOTPRINT**  
(PCB LAYOUT CODE E)

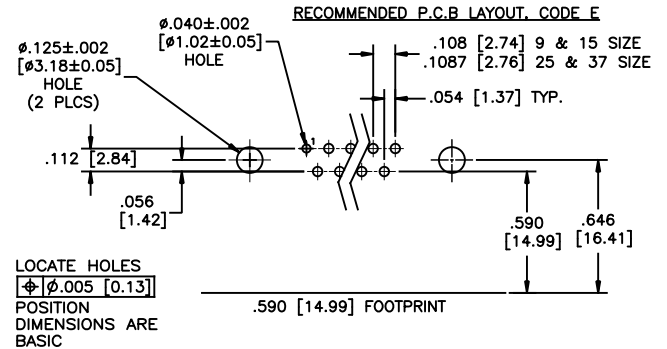


**PCB MTG OPTION U**  
Ø.120 [3.05] MTG HOLE, .590 [14.99] FOOTPRINT FOR PCB LAYOUT CODE E



**PCB MTG OPTION Y**  
BOARDLOCKS, .590 [14.99] FOOTPRINT FOR PCB LAYOUT CODE E

**RECOMMENDED P.C.B LAYOUT, CODE E**



**LOCATE HOLES**  
Ø.005 [0.13]  
POSITION DIMENSIONS ARE BASIC

SEE SHEET 1 FOR ORDERING CODE

DRAWN	A.CHENG	DATE	APR17/06
DESIGNED			
CHECKED	K.LAMBIE	DATE	APR17/06
I. E. APPRD.			
Q. A. APPRD.			
DWG. APPRD.			
ENG. REL. NO.			
REF.	EAR 12932		
DIMENSIONS ARE IN	INCHES	CODE ID. NO.	03554

**Amphenol Canada Corp.**  
Commercial Products

**6E17 SERIES D-SUB CONNECTOR, 9 TO 37 SIZE PIN, RIGHT ANGLE WITH F/P, MTG AND PLATING OPTIONS, RoHS COMPLIANT**

ENG. REL. NO.	DWG	DRAWING NO.	REF.
	C	P-6E17X-XXXPXX-X21X	E
SCALE	2/1	WT.	
SURF.			
SHEET 2 OF 2			