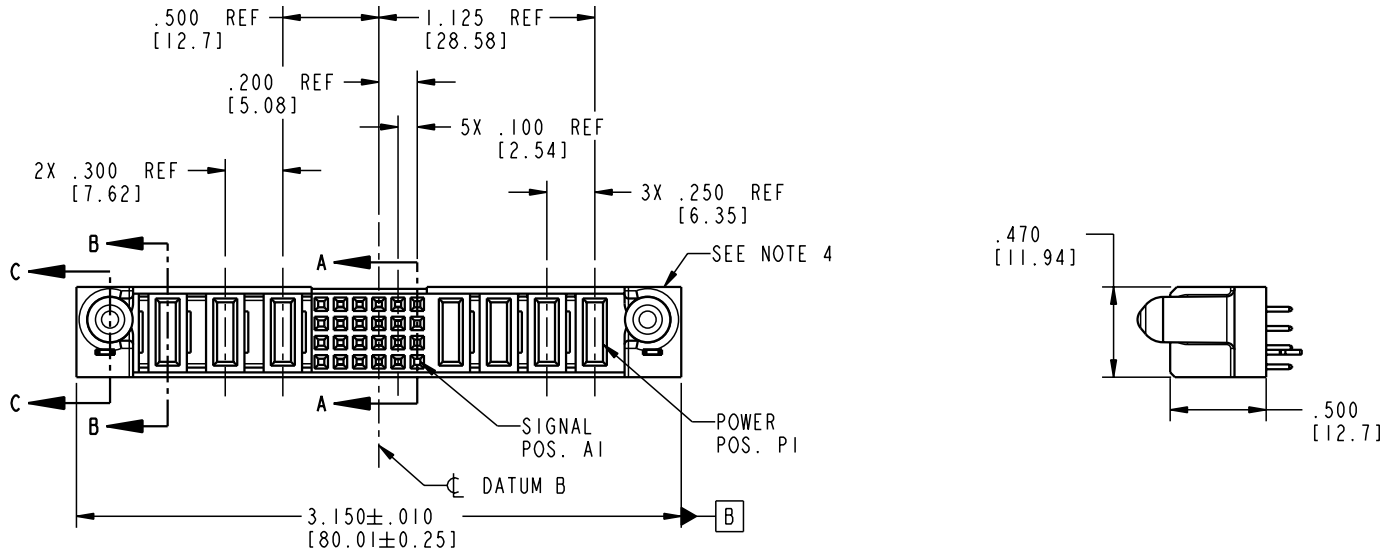


Tous droits strictement réservés. Reproduction ou communication o des liens interdite sous quelque forme que ce soit sans autorisation écrite du propriétaire. Propriete de c FCI. Droits de reproduction FCI.

All rights strictly reserved. Reproduction or issue to third parties in any form whenever is not permitted without written authority from the proprietor. Property of FCI. Copyright FCI.

PRODUCT NO.	ROWS	POWER				SIGNAL				POWER				E1		
		E2	P7	P6	P5	6	5	4	3	2	1	P4	P3		P2	P1
51940-085	D C B A		PD	PD	PA	X	E	E	E	E	X	PD	PD	PD	PD	



CODE	DIM "M" MATING LENGTH	CONTACT TYPE
E	N/A [N/A]	SIGNAL
PA	.042 [1.07]	POWER
PD	.092 [2.34]	POWER
HA	N/A [N/A]	HOLD-DOWN
X	OMITTED	OMITTED

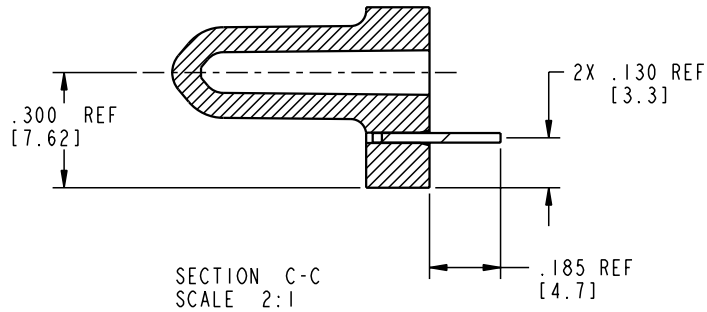
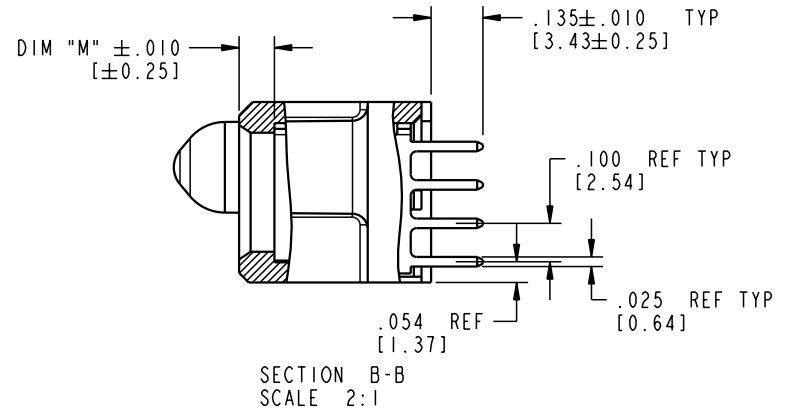
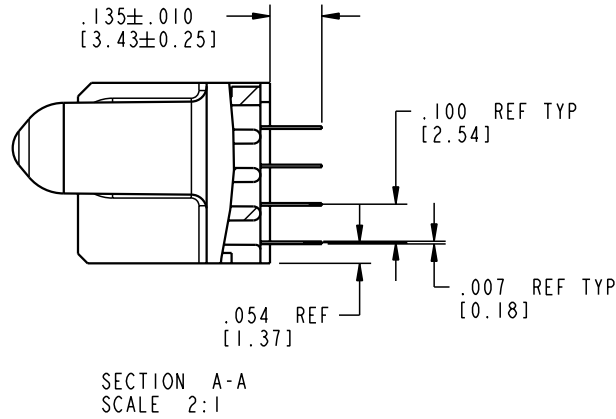
mat'l code				SEE NOTE 2		tolerances unless otherwise specified		CUSTOMER		 www.fciconnect.com	
ltr	ecn no.	dr	date	linear	.XX±.01/0.X±0.3		COPY		 INCH/MM	title	
A	V04-0294	TAB	03/23/04		.XXX±.005/0.XX±0.13		projection			4P + 24S + 3ACP	
B	V04-0318	TAB	03/26/04		.XXX±.0020/0.XXX±0.051		 scale			VERTICAL SOLDER RECEIPT	
				angles	0° ± 2°		 1:1		product family		
				dr	T. BRUNGARD	03/23/04	PwrBlade		code		
				engr	M. GRAY	03/23/04	size		213		
				chr	M. GRAY	03/23/04	dwg no		sheet		
				appd	M. GRAY	03/23/04	A		51940-085		
sheet index		revision sheet	B 1	B 2	B 3	B 4			1 of 4		

Pro/E 3 cage code 22526 4

Tous droits strictement réservés. Reproduction ou communication o des tiers interdite sous quelque forme que ce soit sans autorisation écrite du propriétaire. Propriete de c FCI. Droits de reproduction FCI.

All rights strictly reserved. Reproduction or issue to third parties in any form whatever is not permitted without written authority from the proprietor. Property of FCI. Copyright FCI.

PRODUCT NUMBER
51940-085



mat'l code				SEE NOTE 2		tolerances unless otherwise specified		CUSTOMER		 www.fciconnect.com	
ltr	ecn no.	dr	date	linear	.XX±.01/0.X±0.3		COPY		title		
B					.XXX±.005/0.XX±0.13		projection		4P + 24S + 3ACP		
					.XXXX±.0020/0.XXX±0.051				VERTICAL SOLDER RECEIPT		
					angles	0° ± 2°		INCH/MM		product family	
				dr	T. BRUNGARD	03/23/04	scale		PwrBlade		code
				enr	M. GRAY	03/23/04	1:1		size		213
				chr	M. GRAY	03/23/04			A		sheet
				appd	M. GRAY	03/23/04			51940-085		2 of 4
sheet index		revision sheet									

Pro/E

cage code 22526

PDM: Rev:B

STATUS: Released

Printed: Dec 20, 2010

Tous droits strictement réservés. Reproduction ou communication o des tiers interdite sous quelque forme que ce soit sans autorisation écrite du propriétaire. Propriete de c FCI. Droits de reproduction FCI.

A
FCI

All rights strictly reserved. Reproduction or issue to third parties in any form, whatever is not permitted without written authority from the proprietor. Property of FCI. Copyright FCI.

B

PRODUCT NUMBER
51940-085

NOTES:

1. DIMENSIONS AND TOLERANCES ARE IN ACCORDANCE WITH ASME Y14.5M, 1994 UNLESS OTHERWISE SPECIFIED.

CONNECTOR NOTES:

2 HOUSING MATERIAL: UL 94 V-0 GLASS FILLED

HIGH-TEMP THERMOPLASTIC
POWER CONTACT MATERIAL: COPPER ALLOY
SIGNAL PIN MATERIAL: COPPER ALLOY

3. PLATING:
SIGNAL PINS: 30u"/0.76um Au OVER 50u"/1.27um Ni
POWER CONTACTS: 50u"/1.27um Ni UNDER ALL WITH 30u"/0.76um Au ON CONTACT AREA AND SnPb ON PCB INTERFACE

4 MANUFACTURER'S NAME, P/N, AND DATE CODE TO APPEAR ON THIS SURFACE.

5. PRODUCT SPECIFICATION GS-12-149.
APPLICATION SPECIFICATION BUS-20-067.

6. PACKAGED IN TRAYS.

PCB NOTES:

7. ALL HOLE DIAMETERS ARE FINISHED HOLE SIZE.

8 MOUNTING HOLES, WHERE APPLICABLE, ARE UNPLATED.

9 $\varnothing .0453 \pm .0010$ [1.151 \pm 0.025] DRILLED HOLES PLATED WITH .0003 [0.008] MIN SnPb OVER .001 [0.03] TO .003 [0.08] Cu PLATING TO ACHIEVE $\varnothing .040 \pm .003$ [1.02 \pm .07] HOLE.

10 "DIM XXX" TO BE DETERMINED BY THE CUSTOMER.

11 CONNECTOR KEEP-OUT ZONE.

mat'l code				SEE NOTE 2		tolerances unless otherwise specified		CUSTOMER		A FCI www.fciconnect.com	
ltr	ecn no.	dr	date	linear	.XX±.01/0.X±0.3		COPY		title 4P + 24S + 3ACP VERTICAL SOLDER RECEPT		
B					.XXX±.005/0.XX±0.13		projection				
					.XXX±.0020/0.XXX±0.051				PwrBlade		213
				angles	$0^{\circ} \pm 7^{\circ}$		INCH/MM		size		sheet
				dr	T. BRUNGARD	03/23/04	scale		A		4 of 4
				enrg	M. GRAY	03/23/04	1:1		51940-085		
				chr	M. GRAY	03/23/04					
				appd	M. GRAY	03/23/04					
sheet index	revision sheet										

A

B

1 | 2

3 |

4

1 | 2

Pro/E

3 |

cage code **22526**

4

PDM: Rev:B

STATUS: **Released**

Printed: Dec 20, 2010