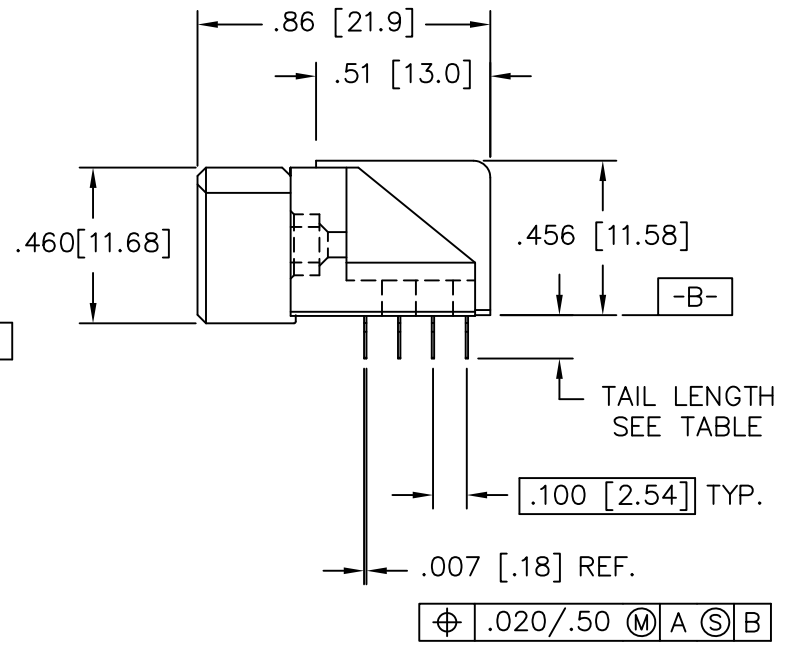
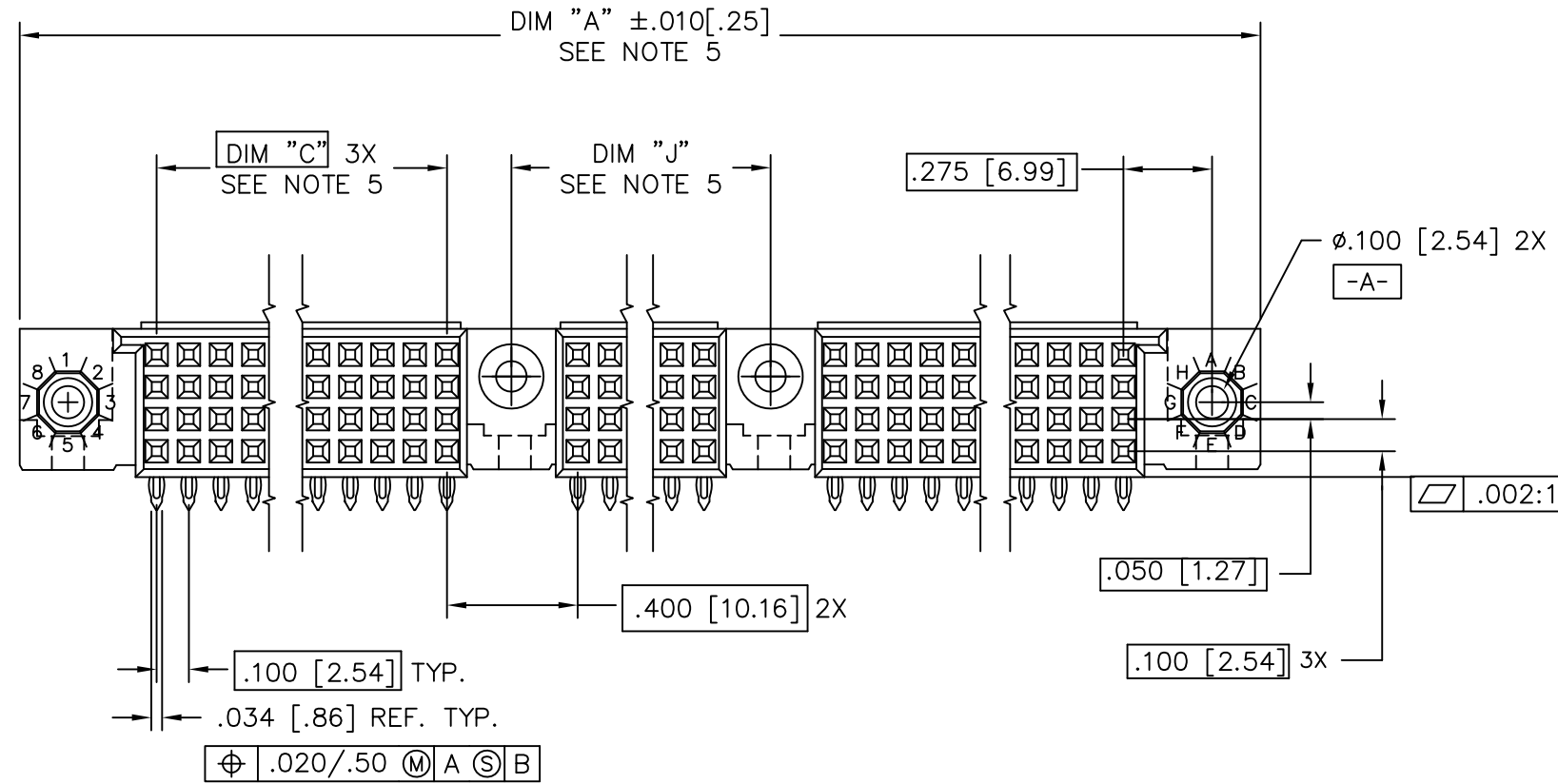
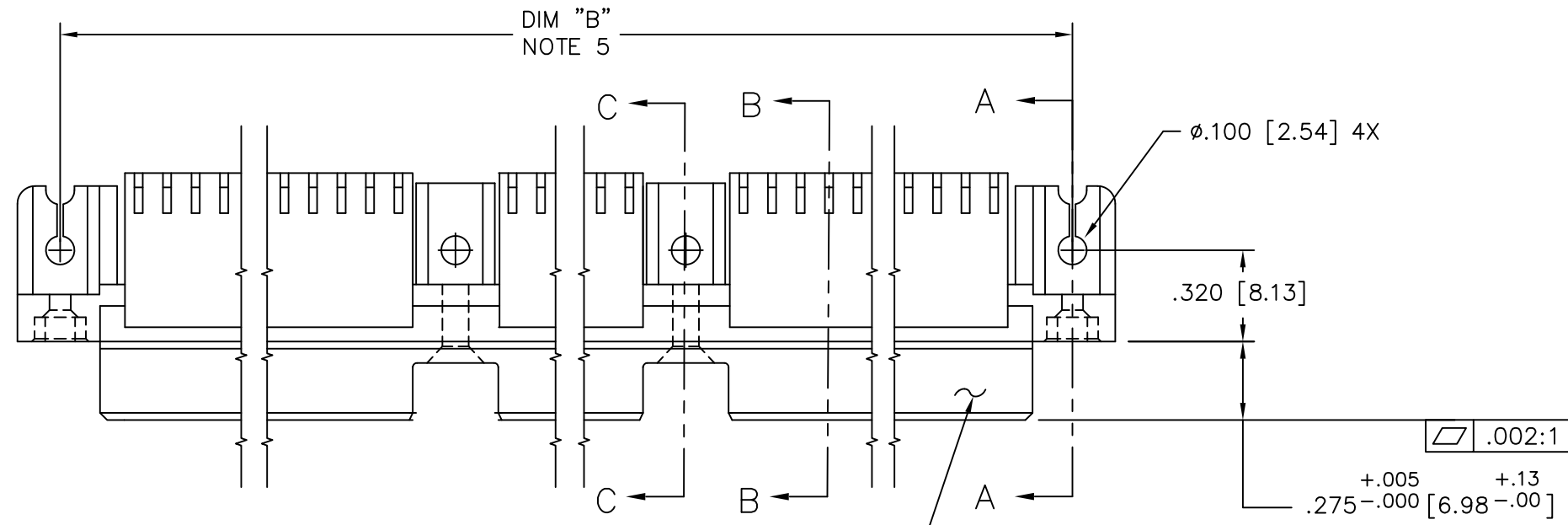


PRODUCT NUMBER
SEE TABLE



| | | | | | | | | | | | | | |
|---------------------------|-------------|-----|----------|---------------------------------------|------------------|----------------------------------|-----------------|--------------------------|---|-----------------------|------|--|--|
| mat'l. code SEE NOTE 3 | | | | surface ISO 1302 ✓ | | tolerance ISO 406 ISO 1101 | | projection INCH/MM | | product family HPC | | | |
| ltr | ecn no | dr | date | tolerances unless otherwise specified | | | | | | title | | | |
| W | ELX-I-26922 | MJA | 05/06/17 | angles | .xx±.01/.3 | | INCH/MM | | 4 ROW R/A RECEPTACLE PRESS FIT, 2 GUIDE PINS | | | | |
| - | - | - | - | linear | .xxx±.005/.13 | | scale 1:1 | | dwg no | | | | |
| R | v10960 | MEM | 3/14/01 | 0°±2' | .xxxx±.0020/.051 | | Amphenol FCi | | sheet 1 of 6 | | size | | |
| S | v05-0512 | DAI | 8/01/05 | dr | G.PETERS | 6/12/93 | | 50644 | | A3 | | | |
| T | v05-1054 | HTB | 11/16/05 | enr | S.CLARK | 6/12/93 | | type | | | | | |
| U | M06-0283 | MHT | 7/27/06 | chr | M JACOB | 05/06/17 | | Product Customer Drawing | | | | | |
| V | M07-0099 | AGS | 2/08/07 | appd | BIJU K PAUL | 05/06/17 | | | | | | | |
| sheet | revision | W | W | V | V | V | V | | | | | | |
| index | sheet | 1 | 2 | 3 | 4 | 5 | 6 | | | | | | |

PRODUCT NUMBER
SEE TABLE

NOTES:

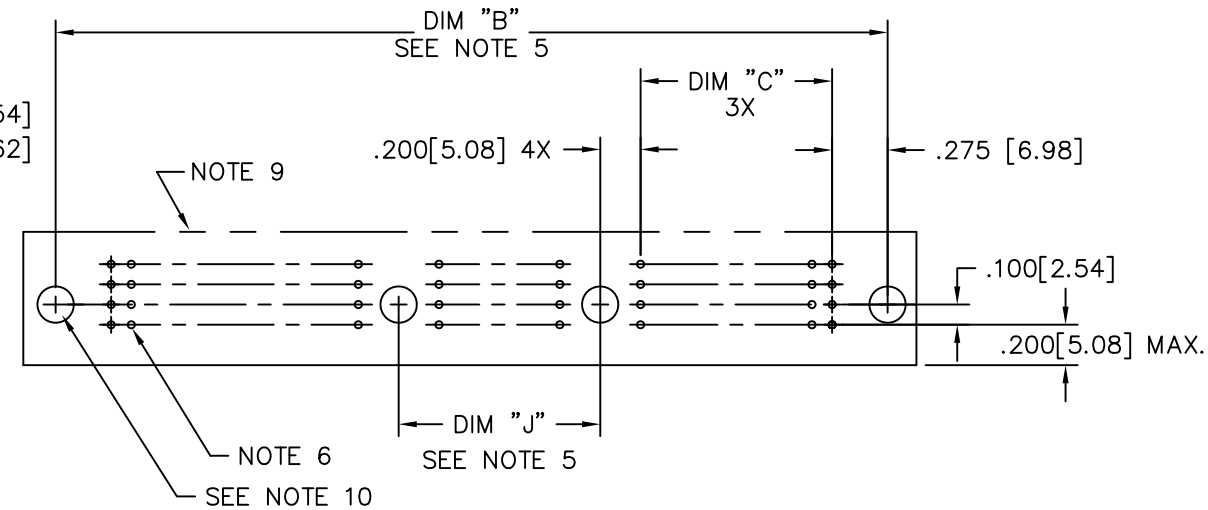
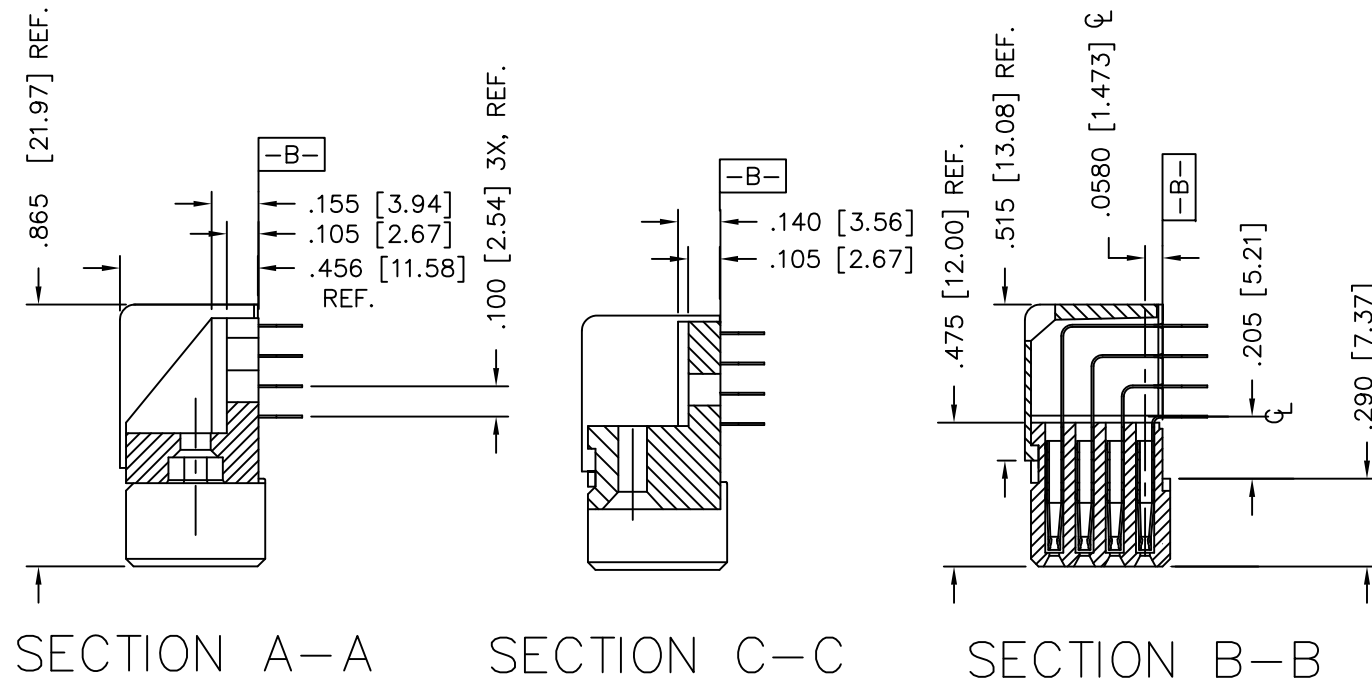
- ①. PRODUCT NUMBERING CODE:
50644 - X YYY Z S LF
- LEAD FREE (OPTIONAL)
 - SPECIAL FEATURES (NOTE 10)
 - TAIL LENGTH (SEE TABLE)
 - NO. OF POSITIONS (NOTE 2)
 - PLATING SEE TABLE
 - BASE NUMBER

PRODUCT NUMBERING CODE FOR SELECT LOAD

- 50644- XX YYY LF
- LEAD FREE (OPTIONAL)
 - SEQUENCE NUMBER
 - ALWAYS "XX"
 - BASE NUMBER

- ②. THIS PRODUCT IS CONFIGURED IN SIZES OF 30 thru 150 COLUMNS IN INCREMENTS OF THREE.
i.e.: 30,33,36,.....147,150.
- ③. MATERIAL PRESS BLOCK: HIGH TEMP. THERMOPLASTIC
MATERIAL HOUSING: GLASS AND MINERAL FILLED
HIGH TEMP. THERMOPLASTIC. FLAME RETARDANT
PER UL94V-0. COLOR: BLACK.
CONTACT MATERIAL: BeCu.
4. PLATING:
CONTACT AREA - SEE PRODUCT NUMBER TABLE
TAILS-EITHER TIN OR TIN LEAD, SEE PRODUCT NUMBER TABLE
- ⑤. DIMENSION "A" CALCULATION = $.100 (2.54) \times \text{NO. OF COLUMNS} + 1.35[34.3]$
DIMENSION "B" CALCULATION = $.100 (2.54) \times \text{NO. OF COLUMNS} + 1.050[26.67]$
DIMENSION "C" CALCULATION = $.100 (2.54) \times \text{NO. OF COLUMNS} - \text{DIVDED BY } 3 - .100[2.54]$
DIMENSION "J" CALCULATION = $.100 (2.54) \times \text{NO. OF COLUMNS} - \text{DIVDED BY } 3 + .300[7.62]$
- ⑥. DRILLED HOLE DIA. OF $.0453 \pm .001$ FINISHED TO $.0400 \pm .0030$
BY PLATING SnPb(60/40), $.0003 - .0006$ w/Cu
UNDERPLATING AS NEEDED.
- ⑦. MANUFACTURE'S LOGO, P/N, AND LOT CODE TO APPEAR ON THIS SURFACE.
8. THIS HOUSING WILL WITHSTAND EXPOSURE TO 260°C PEAK TEMPERATURE FOR 10-30 SECONDS IN A CONVECTION, INFRA-RED OR VAPOR PHASE REFLOW OVEN.
- ⑨. FOR PCB STAY AWAY ZONE SEE TA-0954.
- ⑩. SPECIAL FEATURES:
— = IF NO SPECIAL FEATURE CODE IS SELECTED, CONNECTOR WILL APPEAR AS SHOWN. PCB MOUNTING HOLE DIMENSION TO BE $\phi.120 \pm .003 [3.05 \pm 0.07]$
"A" = IF SPECIFIED, CONNECTOR WILL APPEAR AS SHOWN ON SHEET 3. PCB MOUNTING HOLE DIMENSION TO BE $\phi.100 \pm .003 [2.54 \pm 0.07]$.
"B" = IF SPECIFIED, CONNECTOR WILL HAVE PRE-INSTALLED EYELET FOR P.C.B. ATTACHMENT IN A $\phi.100 \pm .003 [2.54 \pm 0.07]$ MOUNTING HOLE. SEE SHEET 3. (AVAILABLE IN "E" TAIL LENGTH. ONLY).
"C" = IF SPECIFIED, CONNECTOR WILL HAVE PRE-INSTALLED EYELET FOR P.C.B. ATTACHMENT IN A $\phi.120 \pm .003 [2.54 \pm 0.07]$ MOUNTING HOLE. SEE SHEET 3.
"D" = IF SPECIFIED, CONNECTOR WILL HAVE PRE-INSTALLED EYELET WITH MOLDED GUIDE PINS FOR P.C.B. ATTACHMENT IN A $\phi.120 \pm .003 [2.54 \pm 0.07]$ MOUNTING HOLE. SEE SHEET 3.

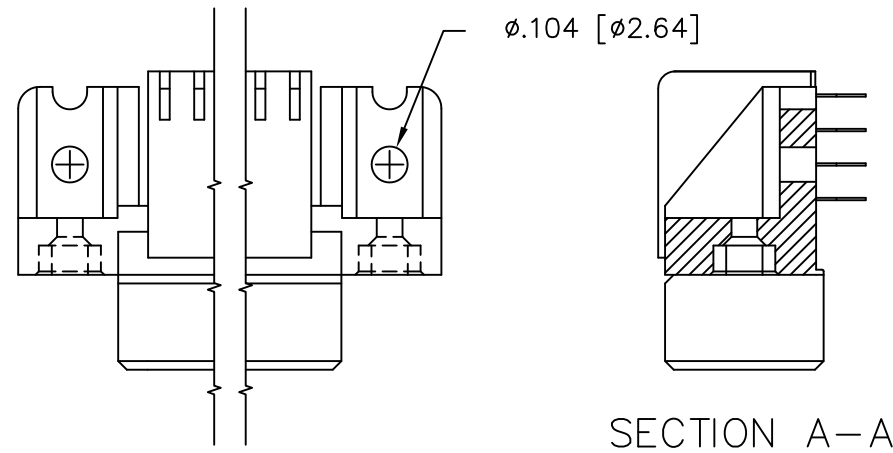
- ⑪. THIS PRODUCT (WITH "LF" SUFFIX) MEETS EUROPEAN UNION DIRECTIVES AND OTHER COUNTRY REGULATIONS AS DESCRIBED IN GS-22-008.



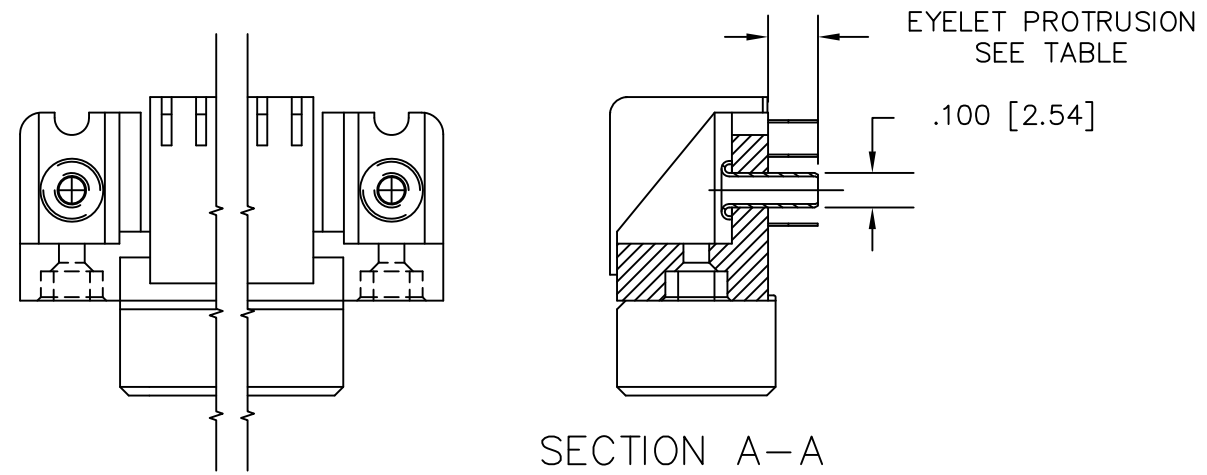
RECOMMENDED PCB LAYOUT
(ALL HOLES LOCATED ON $.100 [2.54]$ GRID UNLESS OTHERWISE SHOWN)

| | | | | | | | | | |
|---------------------------|----------------|-----------------------|------|---------------------------------------|----------------------------------|-----------------------|--------------------------|---|--------------|
| mat'l. code SEE NOTE 3 | | surface ISO 1302 ✓ | | tolerance ISO 406 ISO 1101 | | projection INCH/MM | | product family HPC | |
| ltr | ecn no | dr | date | tolerances unless otherwise specified | | INCH/MM | | title | |
| W | | | | angles | linear | scale 1:1 | | 4 ROW R/A RECEPTACLE PRESS FIT, 2 GUIDE PINS | |
| | | | | 0°±2' | .xxx±.005/.13 .xxx±.0020/.051 | | | dwg no | |
| | | | | dr | G.PETERS | 6/12/93 | Amphenol FCi | | sheet 2 of 6 |
| | | | | enr | S.CLARK | 6/12/93 | 50644 | | size A3 |
| | | | | chr | M JACOB | 05/06/17 | Product Customer Drawing | | |
| | | | | appd | BIJU K PAUL | 05/06/17 | | | |
| sheet index | revision sheet | | | | | | | | |

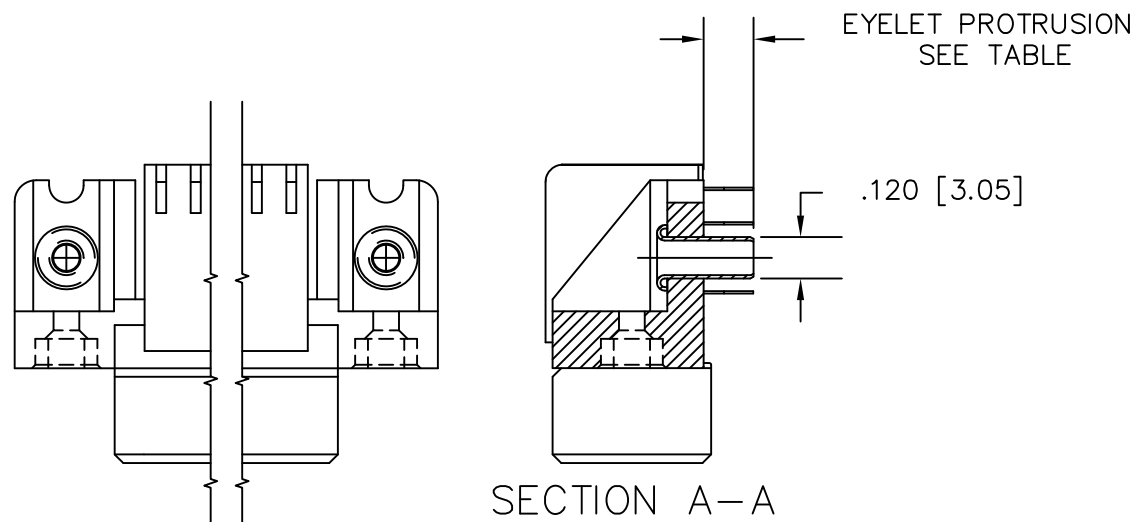
PRODUCT NUMBER
SEE TABLE



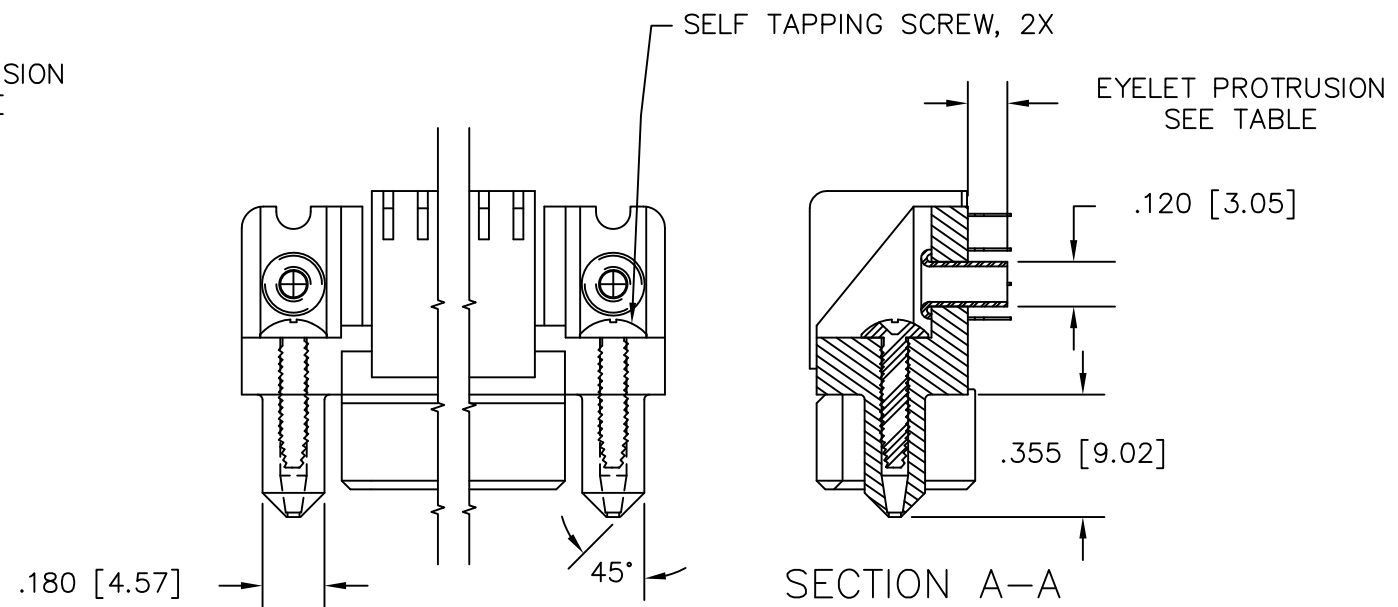
SPECIAL FEATURE OPTION A



SPECIAL FEATURE OPTION B



SPECIAL FEATURE OPTION C



SPECIAL FEATURE OPTION D

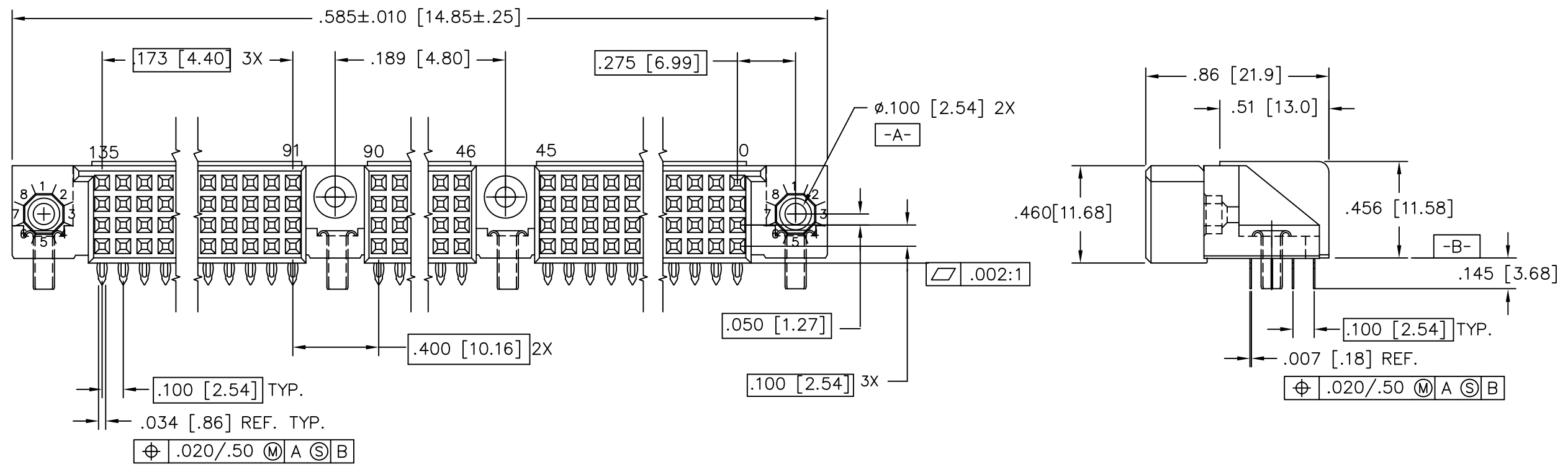
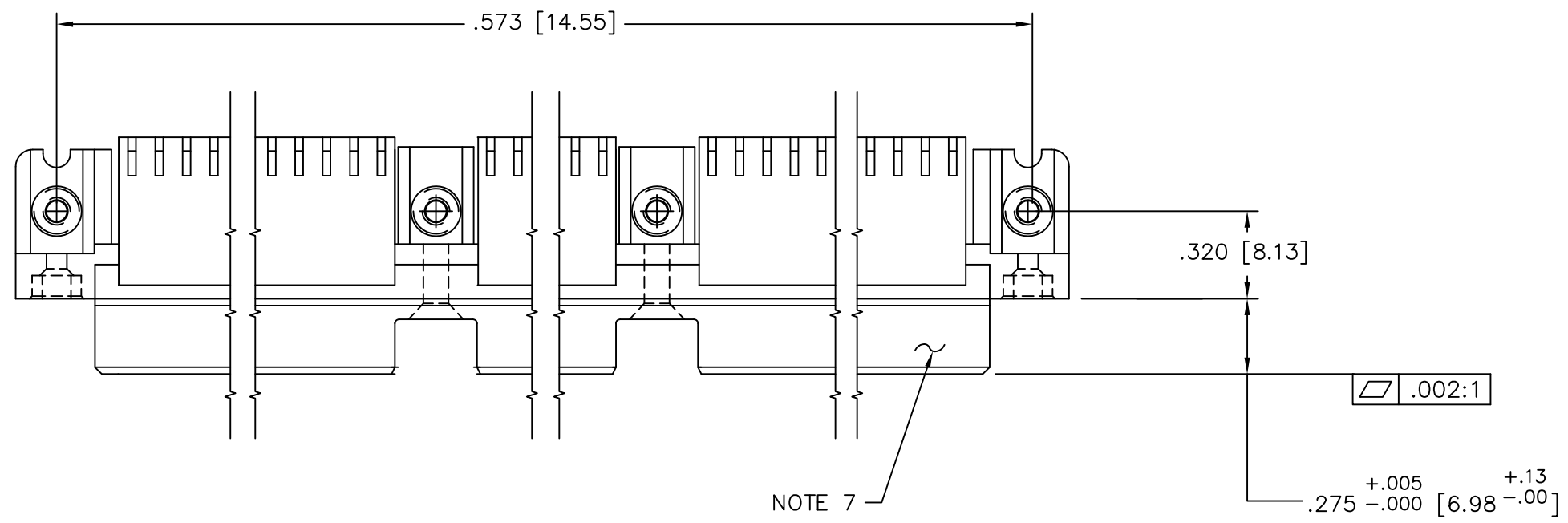
Amphenol
FCi

Copyright AFci

| | | | | | | | | | | |
|-------------|----------------|-----------------------|------|---------------------------------------|---|-----------------------|-----------------|--|----------------------------------|--|
| mat'l. code | | surface ISO 1302 ✓ | | tolerance ISO 406 ISO 1101 | | projection INCH/MM | | product family HPC | | |
| ltr | ecn no | dr | date | tolerances unless otherwise specified | | scale 1:1 | | title 4 ROW R/A RECEPTACLE PRESS FIT, 2 GUIDE PINS | | |
| v | | | | angles | linear | | | dwg no 50644 | | |
| | | | | 0°±2° | .xx±.01/.3 .xxx±.005/.13 .xxxx±.0020/.051 | | | sheet 3 of 6 size A3 | | |
| | | | | dr | G.PETERS | 6/12/93 | Amphenol FCi | | type Product Customer Drawing | |
| | | | | enr | S.CLARK | 6/12/93 | | | | |
| | | | | chr | S.CLARK | 6/12/93 | | | | |
| | | | | appd | S.CLARK | 6/12/93 | | | | |
| sheet index | revision sheet | | | | | | | | | |

50644-XX002 AND 50644-XX002LF ONLY

| |
|----------------|
| PRODUCT NUMBER |
| 50644-XX002 |
| 50644-XX002LF |



- NOTES FOR -XX002 AND XX002LF ONLY:
1. ALL POSITIONS LOADED WITH .145[3.68] TAIL LENGTH.
 2. SIZE 4 x 135
TOTAL NUMBER OF POSITIONS - 540
TOTAL NUMBER OF POSITIONS LOADED - 540

| | | | | | | | | | |
|-------------|----------------|--------------------|------|---------------------------------------|----------|---|--|---|--|
| mat'l. code | | surface ISO 1302 ✓ | | tolerance ISO 406 ISO 1101 | | projection | | product family HPC | |
| ltr | ecn no | dr | date | tolerances unless otherwise specified | | INCH/MM | | title | |
| v | | | | angles | linear | .XX±.01/.3 .XXX±.005/.13 .XXXX±.0020/.051 | | 4 ROW R/A RECEPTACLE PRESS FIT, 2 GUIDE PINS | |
| | | | | 0°±2° | | scale 1:1 | | dwg no 50644 sheet 5 of 6 size A3 | |
| | | | | dr | G.PETERS | 6/12/93 | | type Product Customer Drawing | |
| | | | | enr | S.CLARK | 6/12/93 | | | |
| | | | | chr | S.CLARK | 6/12/93 | | | |
| | | | | appd | S.CLARK | 6/12/93 | | | |
| sheet index | revision sheet | | | | | | | | |

Amphenol FCI

Copyright AFCI

| PRODUCT NUMBER NOTE 1 | NUMBER OF POSITIONS NOTE 2 | TAIL LENGTH ±.010/0.25 | SPECIAL FEATURES SEE NOTE 10 | SOLDER TAIL PLATING | PLATING IN CONTACT AREA | EYELET PROTRUSION |
|--------------------------|-------------------------------|---------------------------|---------------------------------|------------------------|----------------------------|----------------------|
| 50644 -1YYYE | YYY | .125/3.18 | NONE | TIN-LEAD | 30u"/.76u Au | N/A |
| 50644 -5YYYELF | YYY | .125/3.18 | NONE | TIN | 30u"/.76u GXT | N/A |
| 50644 -1YYYEA | YYY | .125/3.18 | "A" | TIN-LEAD | 30u"/.76u Au | N/A |
| 50644 -5YYYEALF | YYY | .125/3.18 | "A" | TIN | 30u"/.76u GXT | N/A |
| 50644 -1YYYEB | YYY | .125/3.18 | "B" | TIN-LEAD | 30u"/.76u Au | 0.145/3.68 |
| 50644 -5YYYEBLF | YYY | .125/3.18 | "B" | TIN | 30u"/.76u GXT | 0.145/3.68 |
| 50644 -1YYYEC | YYY | .125/3.18 | "C" | TIN-LEAD | 30u"/.76u Au | 0.115/2.92 |
| 50644 -5YYYECLF | YYY | .125/3.18 | "C" | TIN | 30u"/.76u GXT | 0.115/2.92 |
| 50644 -1YYYED | YYY | .125/3.18 | "D" | TIN-LEAD | 30u"/.76u Au | 0.115/2.92 |
| 50644 -5YYYEDLF | YYY | .125/3.18 | "D" | TIN | 30u"/.76u GXT | 0.115/2.92 |
| 50644 -1YYYF | YYY | .145/3.68 | NONE | TIN-LEAD | 30u"/.76u Au | N/A |
| 50644 -5YYYFLF | YYY | .145/3.68 | NONE | TIN | 30u"/.76u GXT | N/A |
| 50644 -1YYYFA | YYY | .145/3.68 | "A" | TIN-LEAD | 30u"/.76u Au | N/A |
| 50644 -5YYYFALF | YYY | .145/3.68 | "A" | TIN | 30u"/.76u GXT | N/A |
| 50644 -1YYYFC | YYY | .145/3.68 | "C" | TIN-LEAD | 30u"/.76u Au | 0.145/3.68 |
| 50644 -5YYYFCLF | YYY | .145/3.68 | "C" | TIN | 30u"/.76u GXT | 0.145/3.68 |
| 50644 -1YYYFD | YYY | .145/3.68 | "D" | TIN-LEAD | 30u"/.76u Au | 0.145/3.68 |
| 50644 -5YYYFDLF | YYY | .145/3.68 | "D" | TIN | 30u"/.76u GXT | 0.145/3.68 |
| 50644 -XX001 | 600 | .145/3.68 | "D" | TIN-LEAD | 30u"/.76u Au | 0.115/2.92 |
| 50644 -XX001LF | 600 | .145/3.68 | "D" | TIN | 30u"/.76u GXT | 0.115/2.92 |
| 50644 -XX002 | 540 | .145/3.68 | "B" | TIN-LEAD | 30u"/.76u Au | 0.145/3.68 |
| 50644 -XX002LF | 540 | .145/3.68 | "B" | TIN | 30u"/.76u GXT | 0.145/3.68 |
| 50644 -1YYYELF | YYY | .125/3.18 | NONE | TIN | 30u"/.76u Au | N/A |
| 50644 -1YYYEALF | YYY | .125/3.18 | "A" | TIN | 30u"/.76u Au | N/A |
| 50644 -1YYYEBLF | YYY | .125/3.18 | "B" | TIN | 30u"/.76u Au | 0.145/3.68 |
| 50644 -1YYYECLF | YYY | .125/3.18 | "C" | TIN | 30u"/.76u Au | 0.115/2.92 |
| 50644 -1YYYEDLF | YYY | .125/3.18 | "D" | TIN | 30u"/.76u Au | 0.115/2.92 |
| 50644 -1YYYFLF | YYY | .145/3.68 | NONE | TIN | 30u"/.76u Au | N/A |
| 50644 -1YYYFALF | YYY | .145/3.68 | "A" | TIN | 30u"/.76u Au | N/A |
| 50644 -1YYYFCLF | YYY | .145/3.68 | "C" | TIN | 30u"/.76u Au | 0.145/3.68 |
| 50644 -1YYYFDLF | YYY | .145/3.68 | "D" | TIN | 30u"/.76u Au | 0.145/3.68 |

Amphenol
FCi

Copyright AFci

| | | | | | | | | | |
|-------------|----------------|-----------------------|------|---------------------------------------|---|----------------|-------------------------|---|--------------|
| mat'l. code | | surface ISO 1302 ✓ | | tolerance ISO 406 ISO 1101 | | projection | | product family HPC | |
| ltr | ecn no | dr | date | tolerances unless otherwise specified | | INCH/MM | | title | |
| v | | | | angles | linear | scale 1:1 | | 4 ROW R/A RECEPTACLE PRESS FIT, 2 GUIDE PINS | |
| | | | | 0°±2° | .xx±.01/.3 .xxx±.005/.13 .xxxx±.0020/.051 | | | dwg no 50644 | |
| | | | | dr | G.PETERS | 6/12/93 | Amphenol FCi | | sheet 6 of 6 |
| | | | | enr | S.CLARK | 6/12/93 | | | size A3 |
| | | | | chr | S.CLARK | 6/12/93 | | | |
| | | | | appd | S.CLARK | 6/12/93 | | | |
| sheet index | revision sheet | | | | | | | type Product Customer Drawing | |