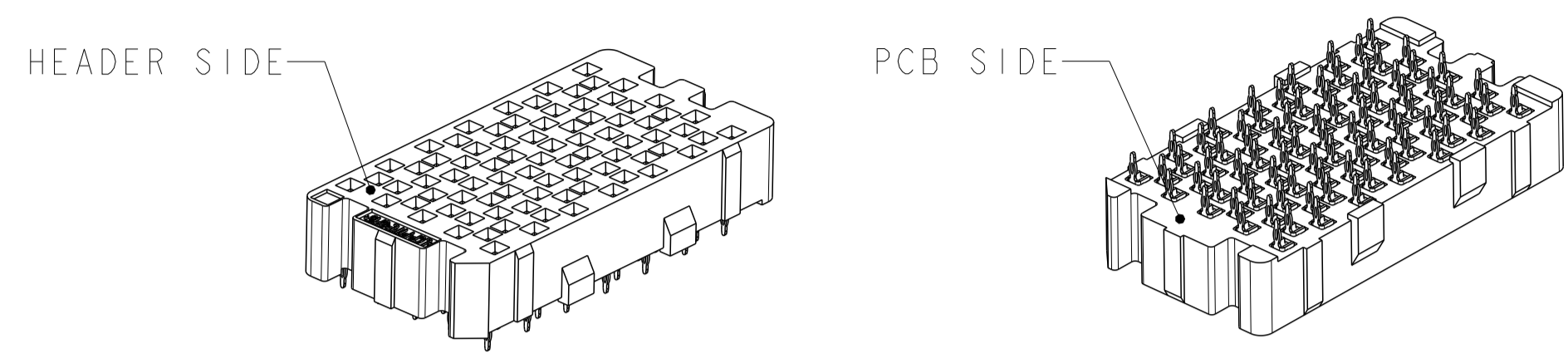
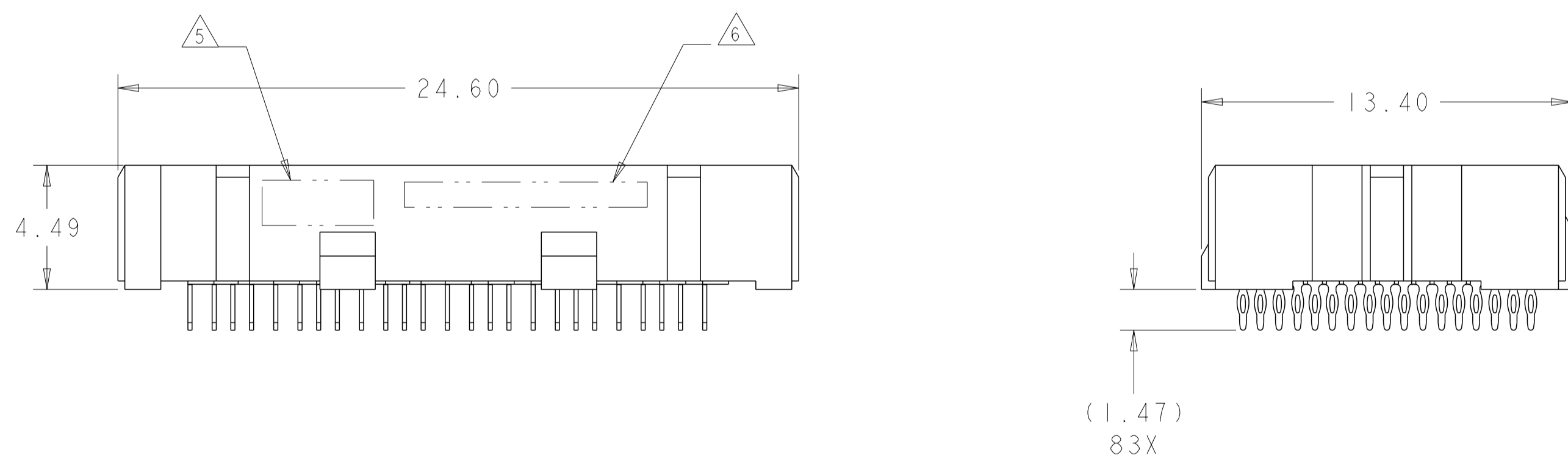
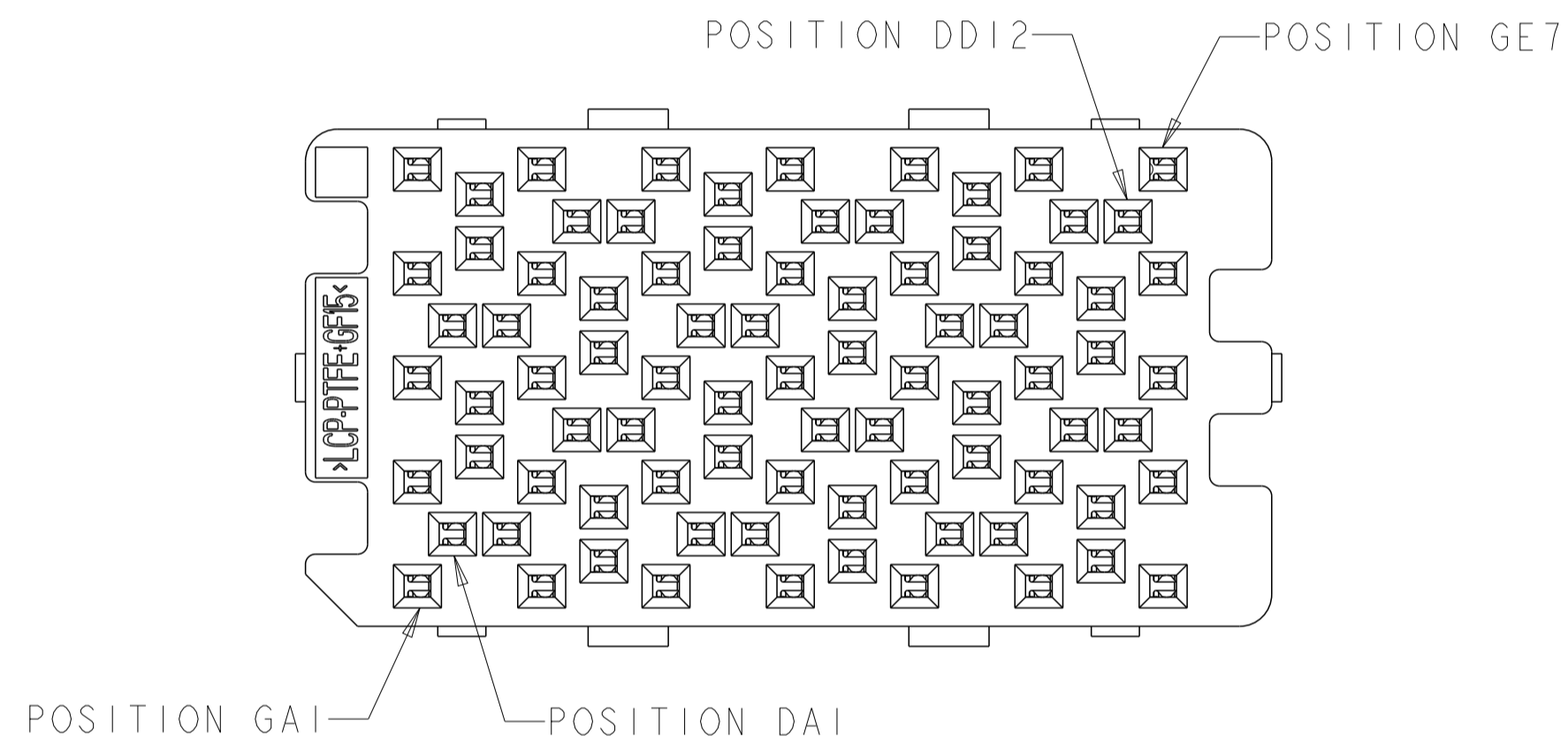


LOC	DIST	REVISIONS					
GP	00	P	LTN	DESCRIPTION	DATE	DWN	APVD
		A		REVISED PER ECO-12-018201	11OCT2012	KH	MH



ISOMETRIC VIEWS
SCALE 3:1



- △ MATERIAL:
HOUSING: THERMOPLASTIC, FLAMMABILITY RATING UL94 V-0
CONTACT: COPPER ALLOY
- 2. CONFORMS TO THE REQUIREMENTS OF TE PRODUCT SPECIFICATION, 108-2375; BASED ON TELCORDIA GR-1217-CORE FOR SYSTEM QUALITY LEVEL III, APPLICATIONS IN CONTROLLED ENVIRONMENTS (CENTRAL OFFICE).
SEE TE PRODUCT SPECIFICATION 108-2375 FOR TEST SEQUENCES.
- △ ROWS GA THRU GE (SHOWN DARKENED) ARE TYPICALLY USED AS GROUNDS.
- △ SPECIFIED POSITIONAL TOLERANCE DEFINES HOLE TO HOLE LOCATION WITHIN HOLE PATTERN. POSITIONAL TOLERANCE OF HOLE PATTERN TO FIDUCIAL MARKS OR PCB DATUMS SHALL BE DEFINED BY CUSTOMER.
- △ AREA RESERVED FOR TE CONNECTIVITY LOGO.
- △ AREA RESERVED FOR PART NUMBER (X-XXXXXXX-X) AND DATE CODE (YYWW).
- △ USE CENTERLINES INDICATED ON PCB HOLE PATTERN TO ESTABLISH ALIGNMENT BETWEEN HEADER AND RECEPTACLE BOARDS.
- △ PLATED THROUGH HOLE REQUIREMENTS:
HOLE SIZE PRIOR TO PLATING = $\varnothing 0.420 \pm 0.013$
COPPER PLATING THICKNESS = 0.038 ± 0.013
CALCULATED FINISHED HOLE SIZE = $\varnothing 0.344 \pm 0.039$
THESE DIMENSIONS APPLY TO THE TOP 1.25mm OF THE PCB THICKNESS FROM THE CONNECTOR MOUNTING SIDE.

SIZE 1 HALF WIDE *
24 DIFFERENTIAL PAIRS + GROUNDS
83 TOTAL SIGNAL CONTACTS

* SIZE 2 AND SIZE 3 ARE ALSO AVAILABLE

YES	MATTE Sn	5-2143411-1
	Sn/Pb	2143411-1
TOOLED	CONTACT TAIL PLATING	PART NUMBER

THIS DRAWING IS A CONTROLLED DOCUMENT.		DWN HAMNER 01JUL2010
DIMENSIONS:		CHK D. TROUT 06JUL2010
mm	TOLERANCES UNLESS OTHERWISE SPECIFIED:	APVD J. FEDDER 06JUL2010
0 PLC	±	PRODUCT SPEC
2 PLC	±0.13	108-2375
3 PLC	±0.013	APPLICATION SPEC
4 PLC	±	114-13249
ANGLES	±1	WEIGHT
FINISH		

STE TE Connectivity

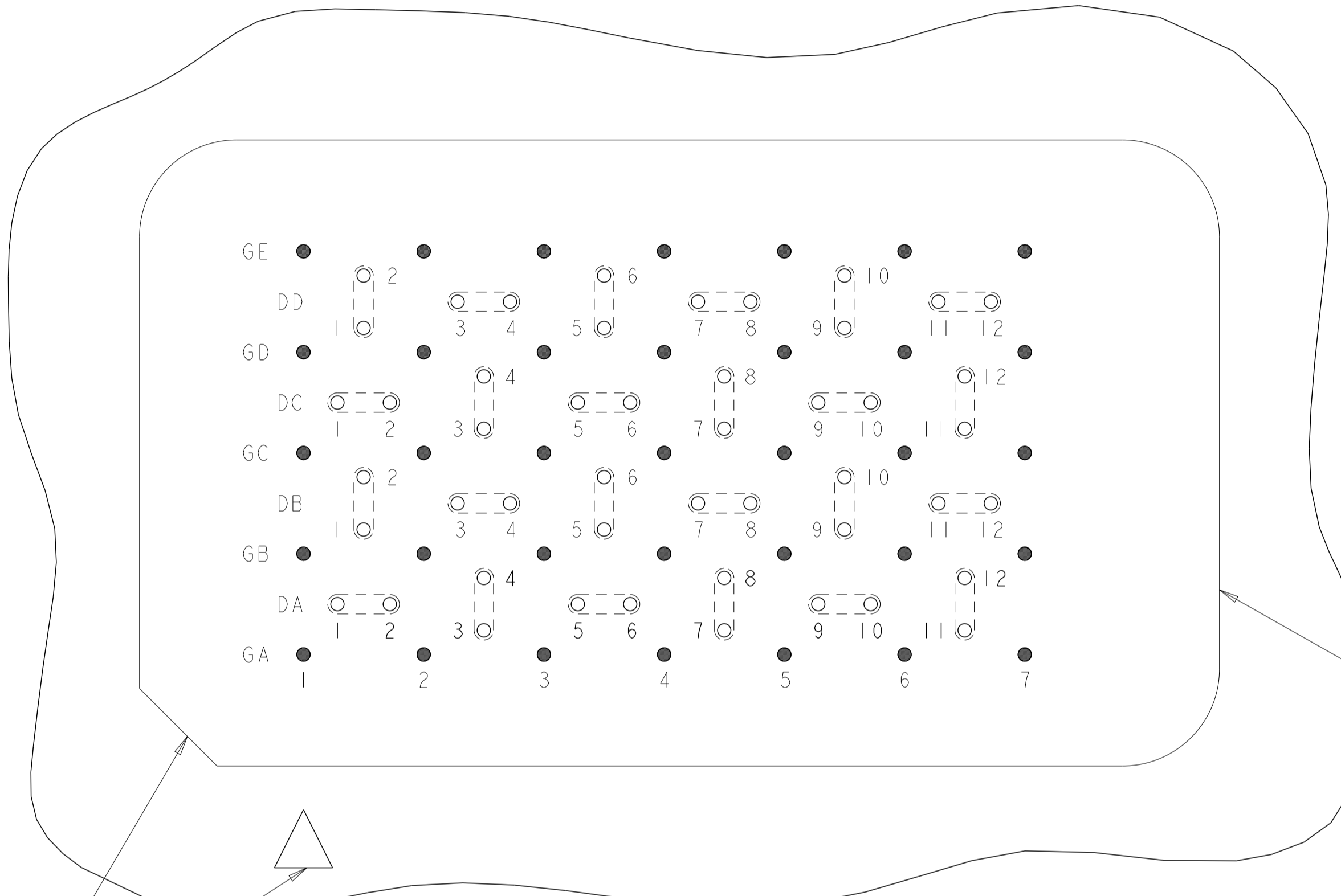
NAME: RECEPTACLE ASSEMBLY, HALF-WIDE, 24/83, STRADA MESA MEZZANINE CONNECTOR

SIZE: A1 CAGE CODE: 00779 DRAWING NO: 2143411

RESTRICTED TO: -

CUSTOMER DRAWING SCALE: 6:1 SHEET 1 OF 3 REV: A


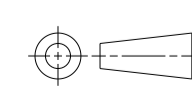
LOC	DIST	REVISIONS			
P	LTN	DESCRIPTION	DATE	DWN	APVD
-	-	SEE SHEET 1	-	-	-



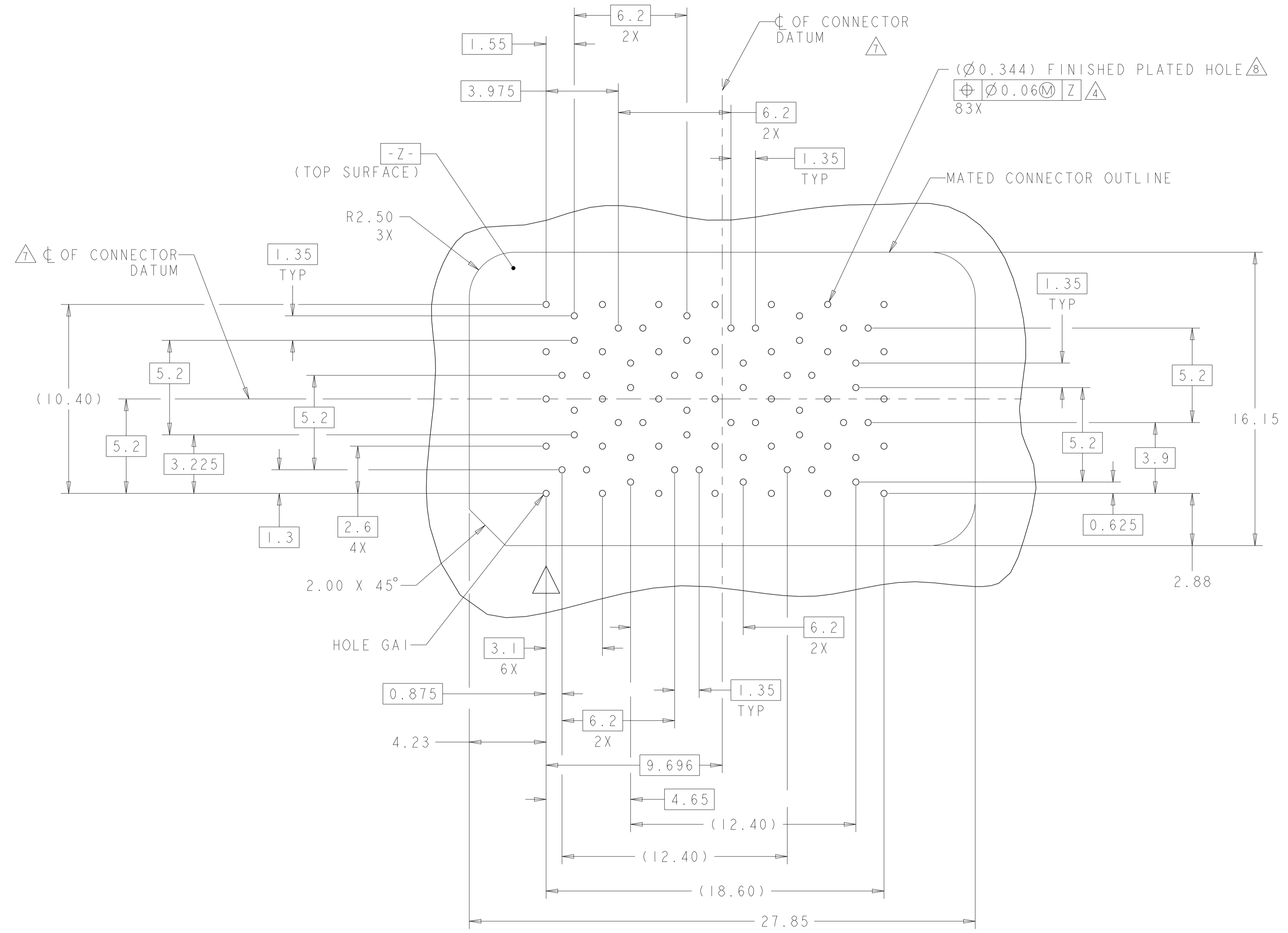
MATED CONNECTOR OUTLINE
 SEE SHEET 3 FOR LOCATION TO HOLES

A1 CORNER
 INDICATORS.

PCB LAYOUT AND PIN IDENTIFICATION 
 SHOWN FROM CONNECTOR SIDE
 SCALE 9:1

THIS DRAWING IS A CONTROLLED DOCUMENT.		DWN HAMNER 01JUL2010	 TE Connectivity
DIMENSIONS:		CHK D. TROUT 06JUL2010	
mm	TOLERANCES UNLESS OTHERWISE SPECIFIED:	APVD J. FEEDER 06JUL2010	NAME RECEPTACLE ASSEMBLY, HALF-WIDE, 24/83, STRADA MESA MEZZANINE CONNECTOR
	0 PLC ± 2 PLC ±.13 3 PLC ±0.013 4 PLC ± ANGLES ±1	PRODUCT SPEC 108-2375	SIZE A100779C=2143411
MATERIAL	FINISH	APPLICATION SPEC 114-13249	RESTRICTED TO
-	-	WEIGHT	CUSTOMER DRAWING
SCALE 6:1		SHEET 2 OF 3	REV A

LOC	DIST	REVISIONS			
P	LTN	DESCRIPTION	DATE	DMN	APVD
-	-	SEE SHEET 1	-	-	-



PCB HOLE PATTERN
 SHOWN FROM CONNECTOR SIDE
 SCALE 7:1

THIS DRAWING IS A CONTROLLED DOCUMENT.		DMN HAMNER 01JUL2010	TE Connectivity
DIMENSIONS: mm		CHK D. TROUT 06JUL2010	
TOLERANCES UNLESS OTHERWISE SPECIFIED: 0 PLC ± 1 PLC ±0.13 2 PLC ±0.013 3 PLC ± 4 PLC ± ANGLES ±1		APVD J. FEDDER 06JUL2010	NAME
MATERIAL		PRODUCT SPEC	RECEPTACLE ASSEMBLY, HALF-WIDE, 24/83, STRADA MESA MEZZANINE CONNECTOR
		APPLICATION SPEC	SIZE CAGE CODE DRAWING NO RESTRICTED TO
		FINISH	A100779C=2143411
		WEIGHT	SCALE 6:1 SHEET 3 OF 3 REV A
		CUSTOMER DRAWING	