

Front adapters - FLKM 4X14-PA/SC/DIO/S7-1500 - 2907381

Please be informed that the data shown in this PDF Document is generated from our Online Catalog. Please find the complete data in the user's documentation. Our General Terms of Use for Downloads are valid (<http://phoenixcontact.com/download>)



VARIOFACE front adapter with screw connection, for SIMATIC® S7-1500 digital 35 mm modules, 4x 8 or 2x 8 channels can be connected.

Key Commercial Data

Packing unit	1 pc
GTIN	
GTIN	4055626256511

Technical data

Dimensions

Width	25.4 mm
Height	130.5 mm
Depth	45.5 mm

Ambient conditions

Ambient temperature (operation)	-25 °C ... 60 °C
Ambient temperature (storage/transport)	-40 °C ... 70 °C
Degree of protection	IP20

General

Max. permissible operating voltage	< 50 V DC
Max. permissible current	1 A (per path)
Max. permissible total current	3 A (per byte when supplying from the module side)
	12 A (When supplying via the front adapter)
Nominal operating mode	100% operating factor

Standards and Regulations

Standards/regulations	IEC 61131-2
Rated surge voltage	0.5 kV

Front adapters - FLKM 4X14-PA/SC/DIO/S7-1500 - 2907381

Technical data

Standards and Regulations

Pollution degree	2
Overvoltage category	II

Connection data

Connection name	Field level
Connection method	IDC/FLK pin strip
Number of connections	4
Number of positions	14
Channels which can be connected	32
Pitch	2.54 mm

Connection data 2

Connection name	Field level
Connection method	IDC/FLK pin strip
Number of connections	2
Number of positions	14
Channels which can be connected	16
Pitch	2.54 mm

Connection data 3

Connection name	Supply
Connection method	Screw connection
Stripping length	10 mm
Conductor cross section solid	0.25 mm ² ... 1.5 mm ² (with ferrule)
	0.5 mm ² ... 2.5 mm ² (without ferrule)
Conductor cross section flexible	0.25 mm ² ... 1.5 mm ² (with ferrule)
	0.5 mm ² ... 2.5 mm ² (without ferrule)
Torque	0.4 Nm

Supported controller

Controller	SIEMENS S7-1500
- suitable I/O card	6ES7 521-1BH00-0AB0
	6ES7 521-1BH50-0AA0
	6ES7 521-1BL00-0AB0
	6ES7 522-1BH00-0AB0
	6ES7 522-1BH01-0AB0
	6ES7 522-1BL00-0AB0
	6ES7 522-1BL01-0AB0
	6ES7 522-1BH00-0AB1

Environmental Product Compliance

China RoHS	Environmentally Friendly Use Period = 50
------------	--

Front adapters - FLKM 4X14-PA/SC/DIO/S7-1500 - 2907381

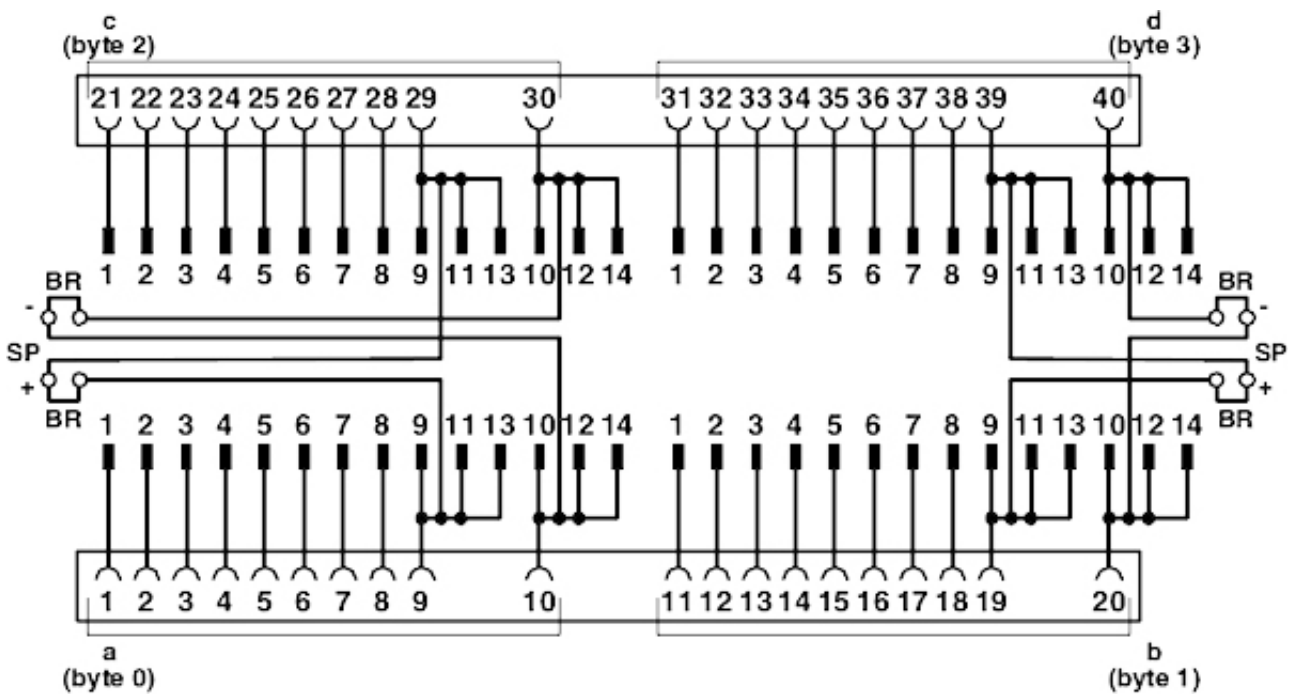
Technical data

Environmental Product Compliance

	For details about hazardous substances go to tab "Downloads", Category "Manufacturer's declaration"
--	---

Drawings

Circuit diagram



Connection scheme for FLKM 4X14-PA/.../DIO/S7-1500

Approvals

Approvals

Approvals


UL Listed / cUL Listed / EAC / cULus Listed


Ex Approvals


Front adapters - FLKM 4X14-PA/SC/DIO/S7-1500 - 2907381

Approvals

Approval details

UL Listed		http://database.ul.com/cgi-bin/XYV/template/LISEXT/1FRAME/index.htm	FILE E 238705
-----------	---	---	---------------

cUL Listed		http://database.ul.com/cgi-bin/XYV/template/LISEXT/1FRAME/index.htm	FILE E 238705
------------	---	---	---------------

EAC			RU C- DE.A*30.B00767
-----	---	--	-------------------------

cULus Listed			
--------------	---	--	--

Phoenix Contact 2019 © - all rights reserved
<http://www.phoenixcontact.com>

PHOENIX CONTACT GmbH & Co. KG
Flachsmarktstr. 8
32825 Blomberg
Germany
Tel. +49 5235 300
Fax +49 5235 3 41200
<http://www.phoenixcontact.com>