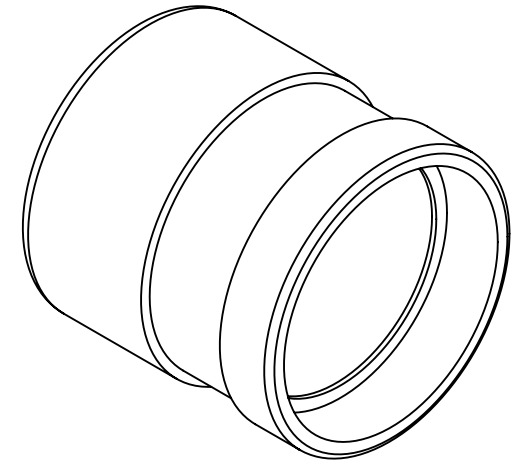
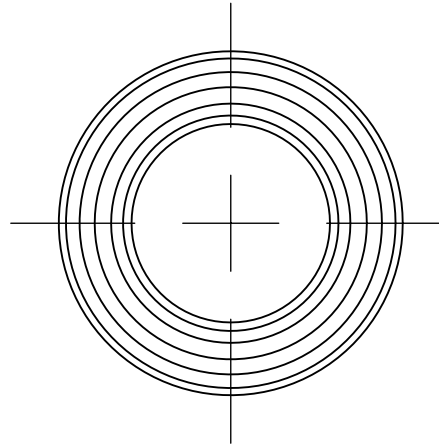
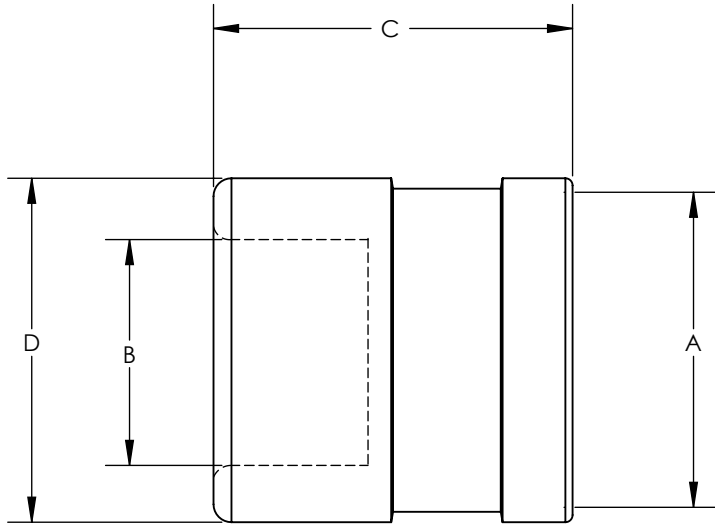


SW2014



Revision level			Revision Record	Changed	Date	Approved	Date
Drawing	State	Part					
00.0	Design Release		SEE ECN# 013585	GRW	10/13/2016	KAC	10/13/2016



Conduit Size		Euro Size	HellermannTyton Part Number	Manufacturer Reference Number	Dimension							
in.	mm	(NW)			A		B		C		D	
					in.	mm	in.	mm	in.	mm	in.	mm
3/8	16	12	PAEC0380	PAEC16	3/8	16	0.41	10.5	0.75	19	0.72	18.2
1/2	21	17	PAEC0500	PAEC21	1/2	21	0.59	15	0.75	19	0.93	23.7
3/4	28	23	PAEC0750	PAEC28	3/4	28	0.79	20	0.87	22	1.23	31.2
1.00	34	29	PAEC1000	PAEC34	1.00	34	0.98	25.5	0.91	23	1.46	37.1
1.25	42	36	PAEC1250	PAEC42	1.25	42	1.26	32	0.94	24	1.78	45.2
1.50	54	48	PAEC1500	PAEC54	1.50	54	1.71	43.5	0.98	25	2.25	57.1

Material PA66	Units: inches Dimension without tolerances details to: .xxxx = ±.0005 .xxx = ±.005 .xx = ±.01 .x = ±.03 None = ±.06 ∠ = ±0.5° Dimension Formatted in [mm]
------------------	------------------------------------------------------------------------------------------------------------------------------------------------------------------------------------------

The copyright of this drawing is reserved by HellermannTyton. It is issued on condition that it is not reproduced, copied, or disclosed to a third party, either wholly or in part, without the consent of HellermannTyton.

Drawn	GRW	10/13/2016
Approved	KAC	10/13/2016
HellermannTyton		
North America Email: corp@htamericas.com Web: www.hellermann.tyton.com		

Article/Type-No	PAEC SERIES
Title	HELAGUARD PAEC END CAP FOR CORRUGATED CONDUIT
Drawing-No	PRODUCTION : Phase 15-0405-001-CSU

Scale	2:1
Project Number	PRP 15-0405
Format	AH
Sheet	1/1