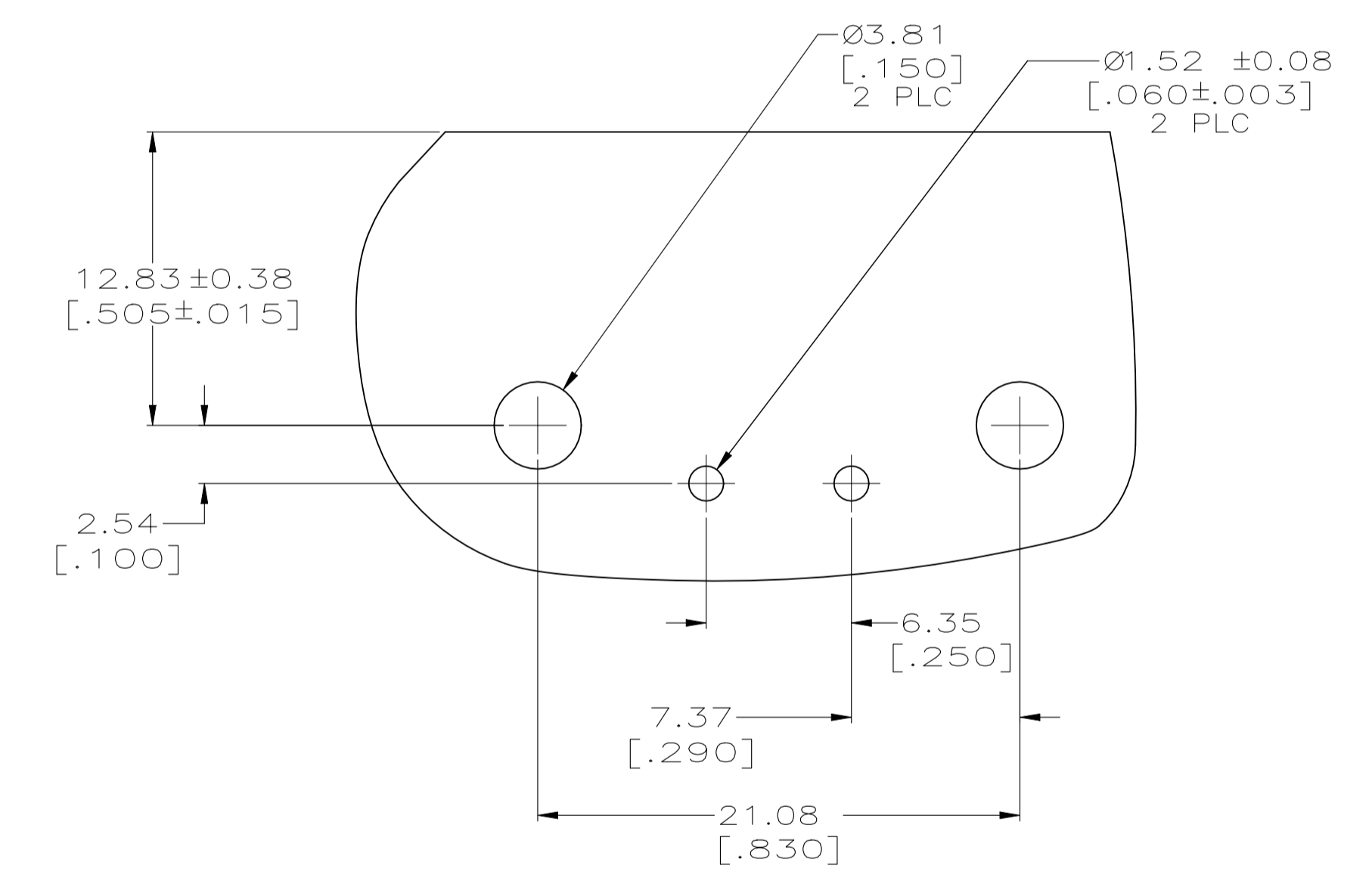
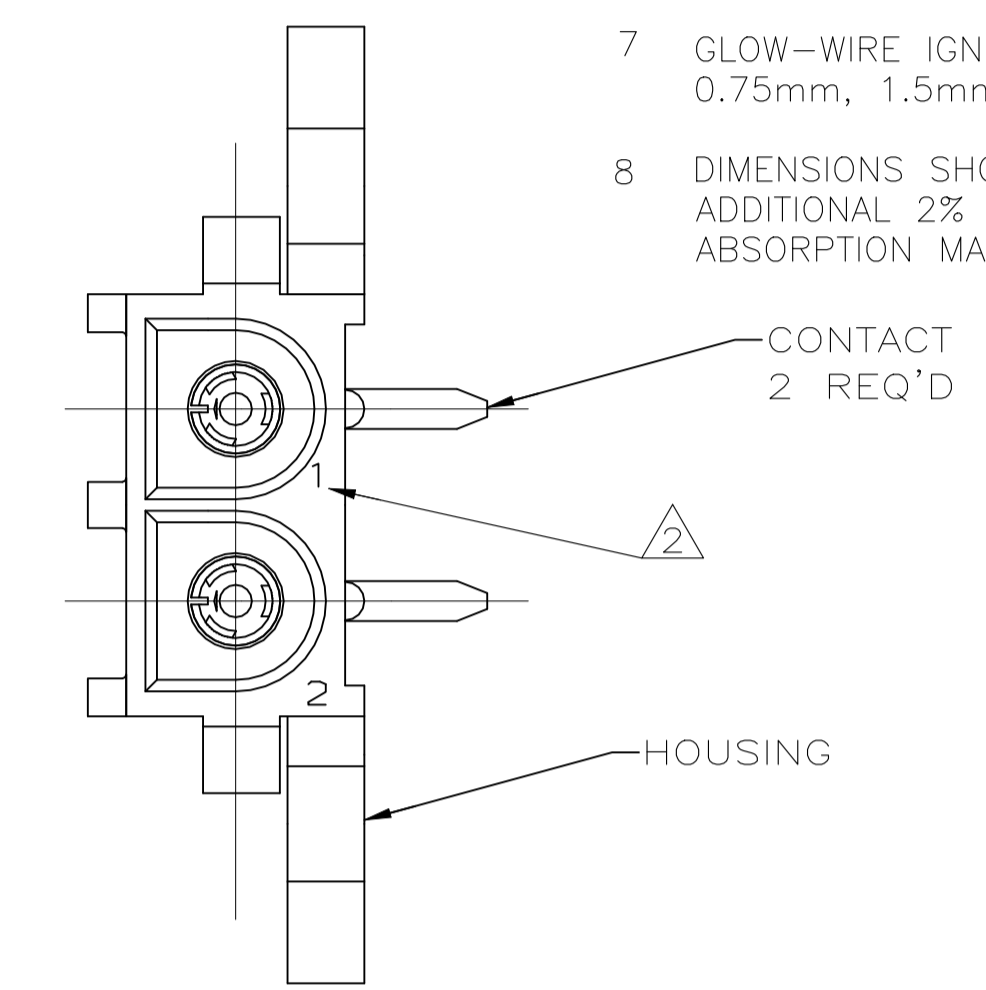
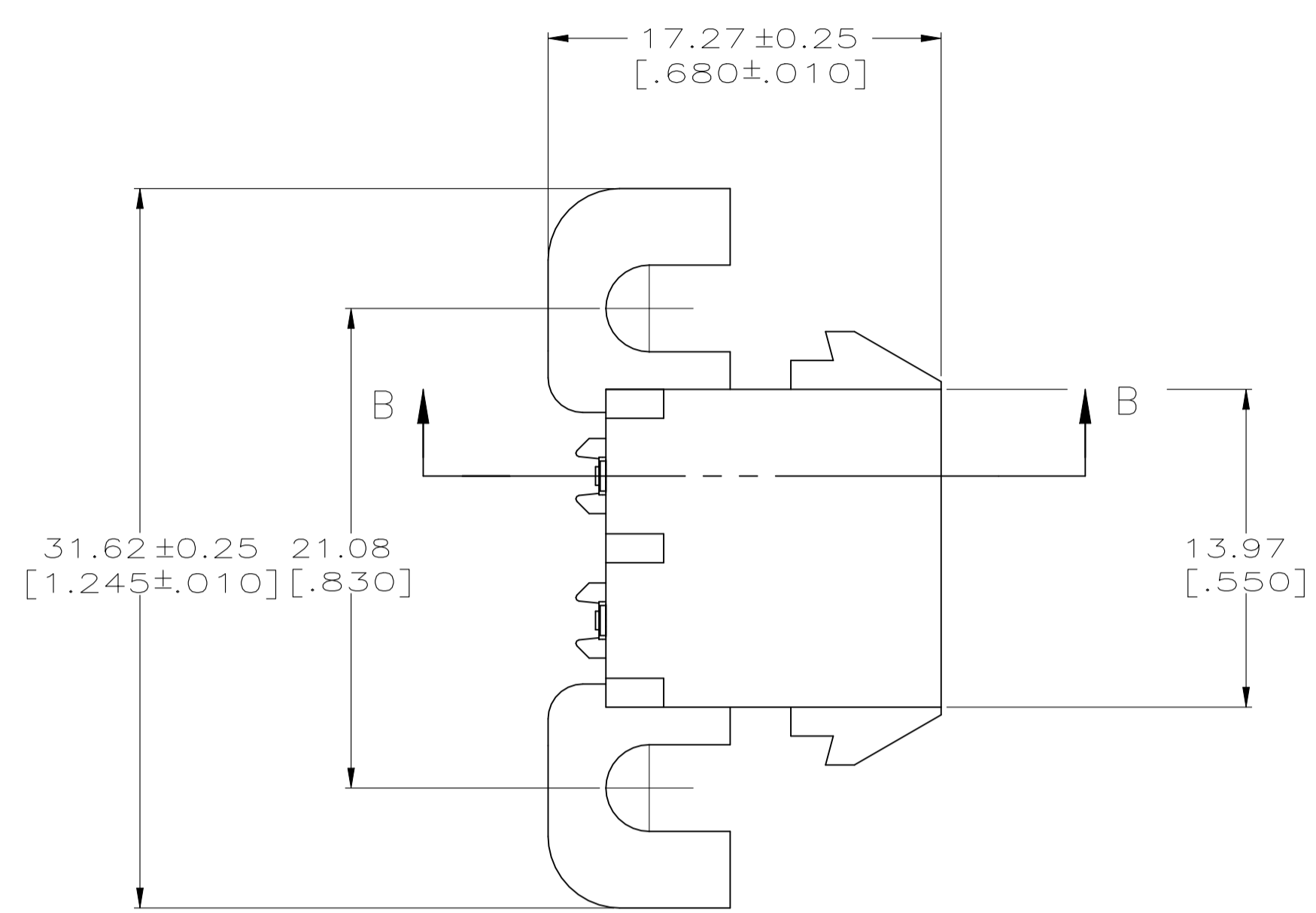
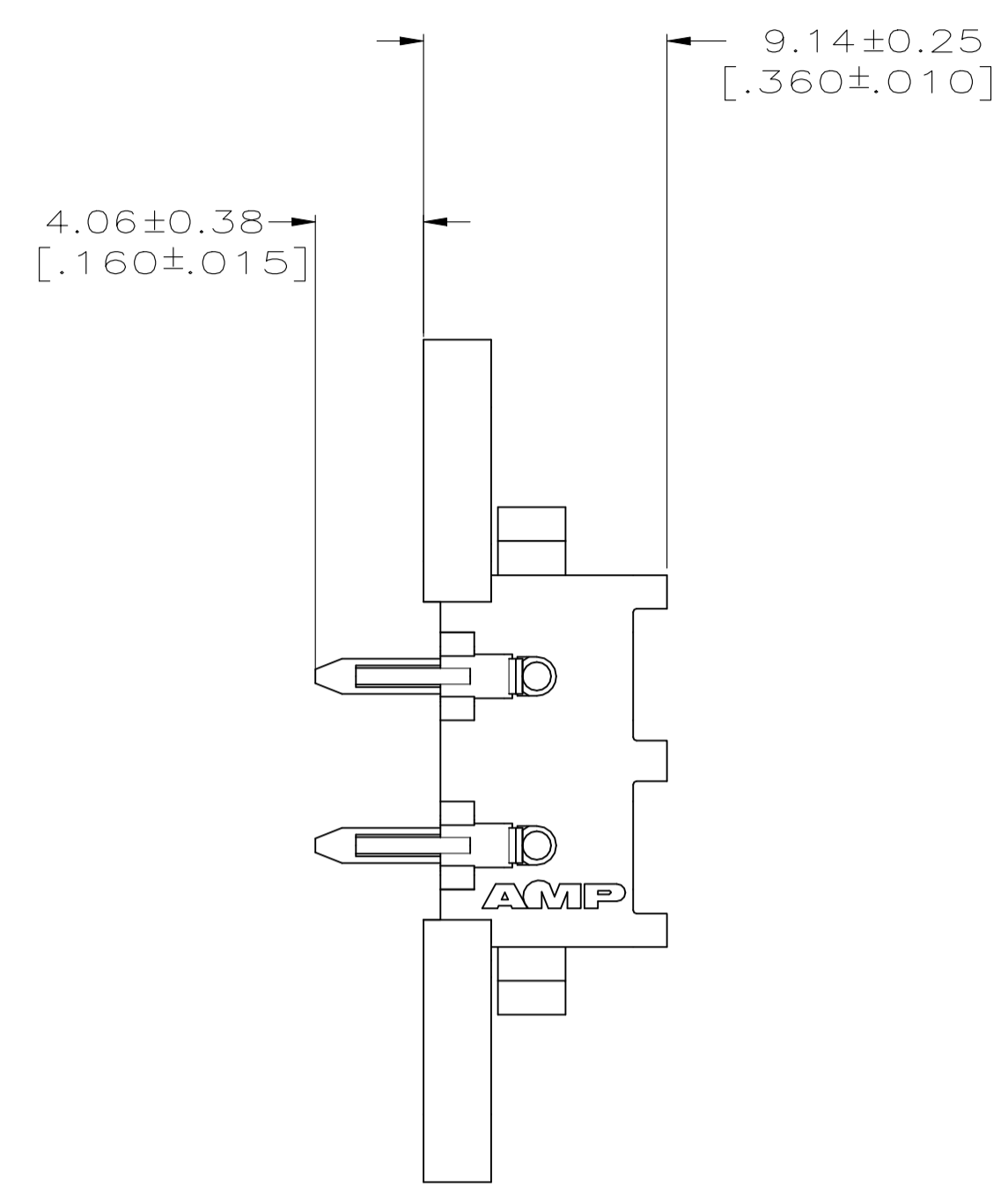
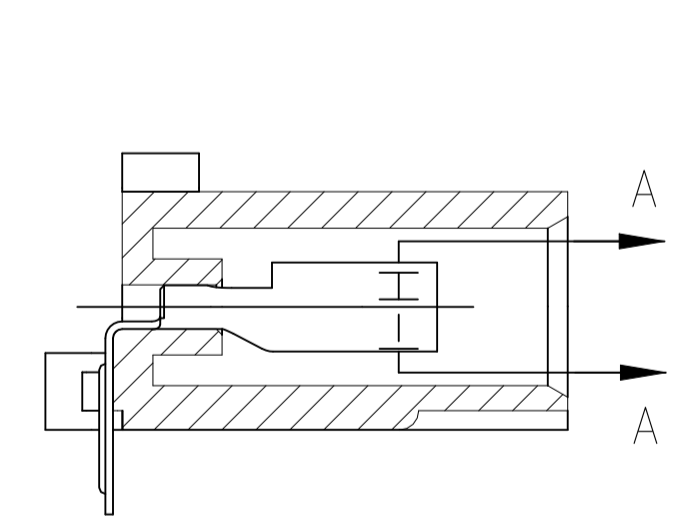


LOC		DIST		REVISIONS			
CM	0	REV	DESCRIPTION	DATE	DRN	APP'D	
B1			REVISED PER ECR-21-119230	02NOV2021	SS	VS	

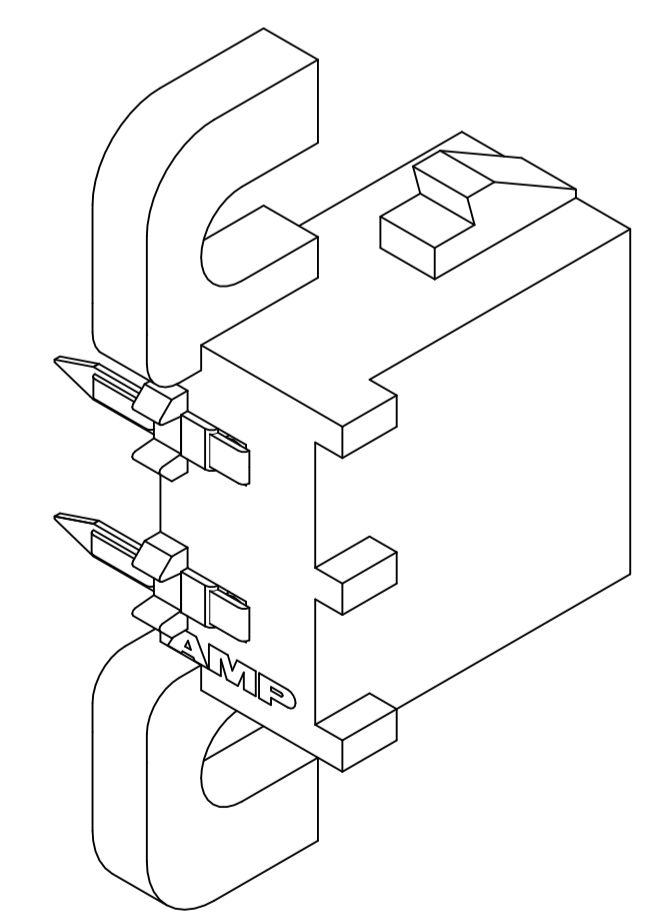
- PARTS COMPLY WITH AMP SOLDERABILITY SPECIFICATION 109-11-5.
- CIRCUIT IDENTIFICATION CHARACTERS ARE ADJACENT TO THE INDICATED CAVITIES, BUT LOCATION AND ORIENTATION MAY DIFFER FROM PRINT.
- DIMENSIONS IN BRACKETS ARE IN INCHES.
- FLAMMABILITY V2 FOR THICKNESS 0.38mm, 1.5mm, and 3.0mm PER IEC 60695-11-10.
- GLOW-WIRE FLAMMABILITY (GWFI) 800°C FOR THICKNESS 0.38mm AND 0.75mm PER IEC 60695-2-12.
- GLOW-WIRE FLAMMABILITY (GWFI) 960°C FOR THICKNESS 1.5mm AND 3.0mm PER IEC 60695-2-12.
- GLOW-WIRE IGNITION (GWIT) 825°C FOR THICKNESS 0.38mm, 0.75mm, 1.5mm AND 3.0mm PER IEC 60695-2-13.
- DIMENSIONS SHOWN REPRESENT PRODUCT IN DRY CONDITION. ADDITIONAL 2% GROWTH DUE TO END USE LOCATION MOISTURE ABSORPTION MAY OCCUR AND SHOULD BE ACCOUNTED FOR.



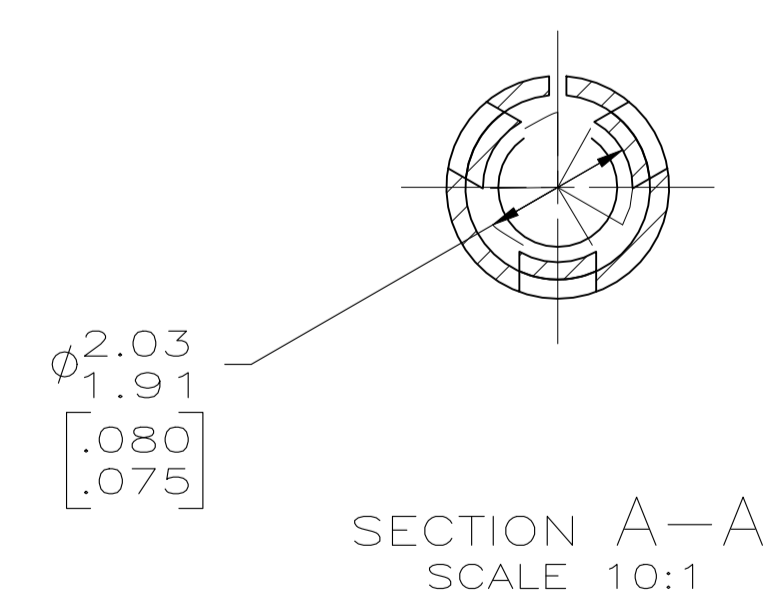
RECOMMENDED MOUNTING HOLE PATTERN FOR .062 [1.57] THICK P.C. BOARD



SECTION B-B



3-DIMENSIONAL MODEL NTS



SECTION A-A SCALE 10:1

**METRIC**

PH BRZ TIN	NYLON UL94V-2	1586890-1
CONTACT	HOUSING	PART NO
THIS DRAWING IS A CONTROLLED DOCUMENT. DIMENSIONS: mm [INCHES] TOLERANCES UNLESS OTHERWISE SPECIFIED: 0 PLC ± - 1 PLC ± - 2 PLC ± - 3 PLC ± 0.13[.005] 4 PLC ± - ANGLES ± - MATERIAL SEE TABLE FINISH SEE TABLE		
CUSTOMER DRAWING SCALE 4:1 SHEET 1 of 1 REV B1		

THIS DRAWING IS A CONTROLLED DOCUMENT. DIMENSIONS: mm [INCHES] TOLERANCES UNLESS OTHERWISE SPECIFIED: 0 PLC ± - 1 PLC ± - 2 PLC ± - 3 PLC ± 0.13[.005] 4 PLC ± - ANGLES ± - MATERIAL SEE TABLE FINISH SEE TABLE	DIN K WHITAKER 14MAR2008 CHK D COLEY 14MAR2008 APP'D D COLEY 14MAR2008 NAME PRODUCT SPEC APPLICATION SPEC SIZE A1 CAGE CODE 00779 DRAWING NO C=1586890 WEIGHT RESTRICTED TO	Tyco Electronics Corporation Harrisburg, PA 17105-3608 SOCKET HEADER ASSEMBLY, RIGHT ANGLE MOUNT, 2 POSITION, UNIVERSAL MATE-N-LOK(TM)
--	---	--