

## T distributor - SAC-5PT-FB/MB-MBF PBDP SH - 1424713

Please be informed that the data shown in this PDF Document is generated from our Online Catalog. Please find the complete data in the user's documentation. Our General Terms of Use for Downloads are valid (<http://phoenixcontact.com/download>)




T distributor, PROFIBUS DP (12 Mbps), 5-position, shielded, Socket straight M12, B-coded, on Plug straight M12, B-coded and Plug straight M12, B-coded, Thread M12 plug input not rotatable

### Your advantages

- Safe use in the field, thanks to a high degree of protection
- Reliable signal transmission - 360° shielding in environments with electromagnetic interference



### Key Commercial Data

Packing unit	1 pc
GTIN	 4 055626 376769
GTIN	4055626376769

### Technical data

#### Ambient conditions

Ambient temperature (operation)	-25 °C ... 85 °C (Plug / socket)
---------------------------------	----------------------------------

#### General

Rated current at 40°C	1 A (Contact 2 and 4) 4 A (Contact 1 and 3)
Rated voltage	48 V AC 60 V DC
Number of positions	5
Color handle area	black
Coding	B-coded
Standards/regulations	M12 connector IEC 61076-2-101
Signal type/category	PROFIBUS DP, 12 Mbps
Status display	No
Overvoltage category	II
Degree of pollution	3

## T distributor - SAC-5PT-FB/MB-MBF PBDP SH - 1424713

### Technical data

#### General

Insertion/withdrawal cycles	≥ 100
Torque	0.4 Nm (M12 connector)

#### Material

Flammability rating according to UL 94	V0
Contact material	CuZn (pin) / CuSn (socket)
Contact surface material	Ni/Au
Contact carrier material	PBT
Material of grip body	PBT
Material, knurls	Zinc die-cast, nickel-plated
Sealing material	NBR

#### Characteristics head 2

Color	black
-------	-------

#### Standards and Regulations

Standard designation	M12 connector
Standards/regulations	IEC 61076-2-101
Flammability rating according to UL 94	V0

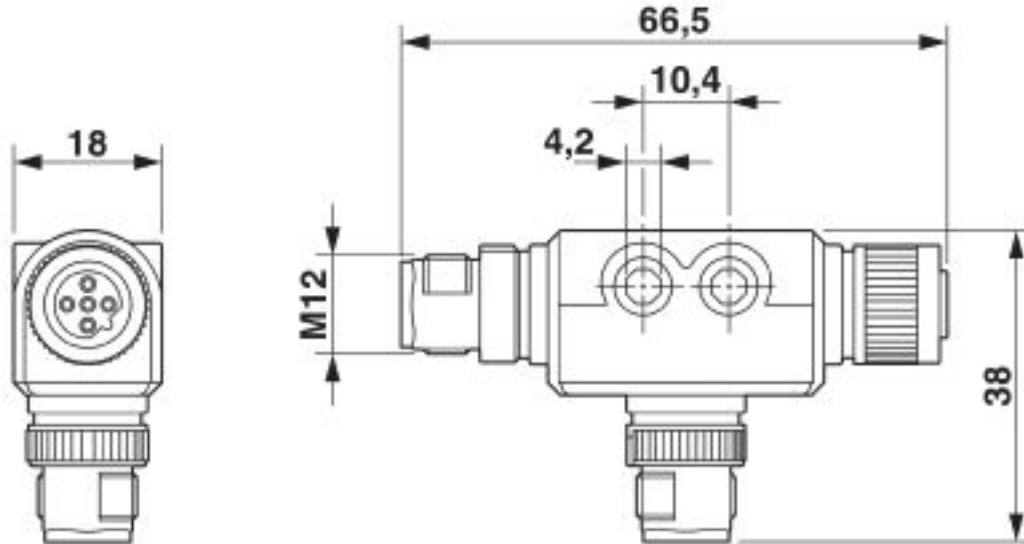
#### Environmental Product Compliance

China RoHS	Environmentally Friendly Use Period = 50
	For details about hazardous substances go to tab "Downloads", Category "Manufacturer's declaration"

### Drawings

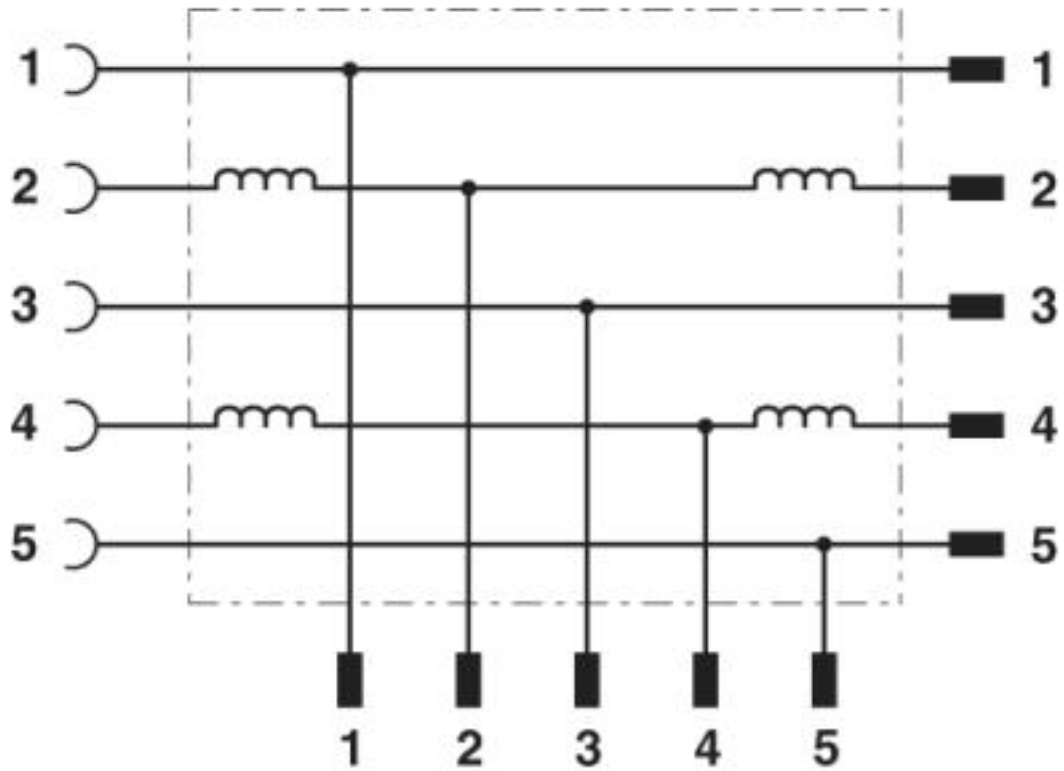
# T distributor - SAC-5PT-FB/MB-MBF PBDP SH - 1424713

Dimensional drawing



M12 T distributor

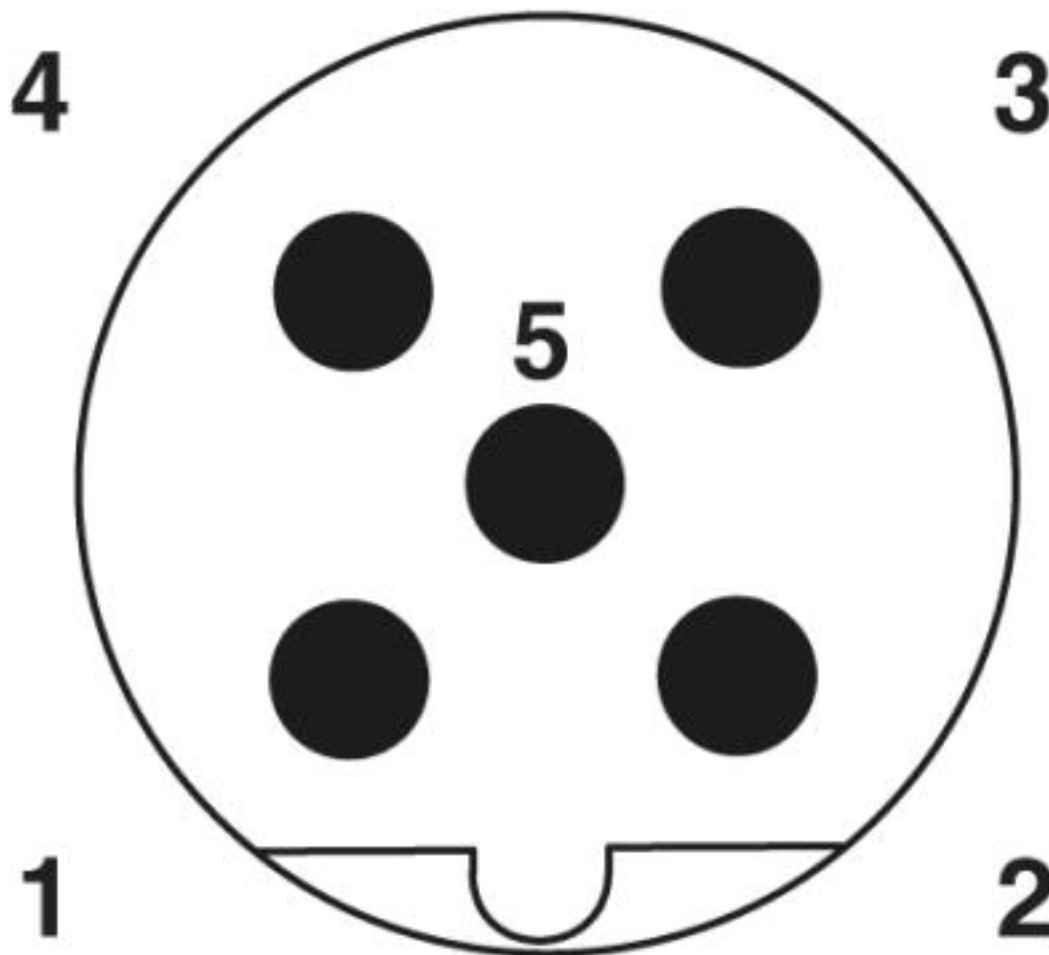
Circuit diagram



Contact assignment of the M12 plug and the M12 socket

# T distributor - SAC-5PT-FB/MB-MBF PBDP SH - 1424713

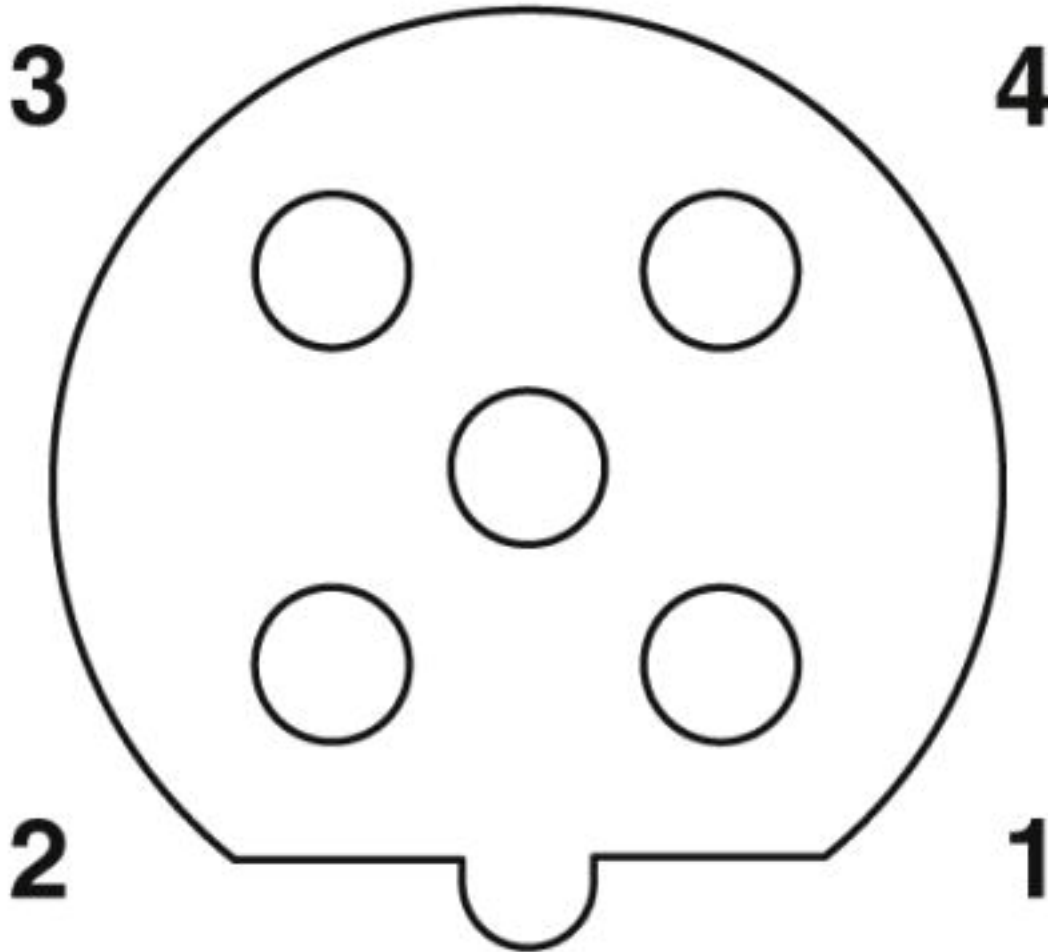
Schematic diagram



Pin assignment M12 male connector, 5-pos., B-coded, male side

# T distributor - SAC-5PT-FB/MB-MBF PBDP SH - 1424713

Schematic diagram



Pin assignment M12 socket, 5-pos., B-coded, female side

## Approvals

Approvals

---

Approvals

EAC

---


Ex Approvals

---

## Approval details

## T distributor - SAC-5PT-FB/MB-MBF PBDP SH - 1424713

### Approvals

EAC		EAC-Zulassung
-----	---	---------------

Phoenix Contact 2019 © - all rights reserved  
<http://www.phoenixcontact.com>

PHOENIX CONTACT GmbH & Co. KG  
Flachsmarktstr. 8  
32825 Blomberg  
Germany  
Tel. +49 5235 300  
Fax +49 5235 3 41200  
<http://www.phoenixcontact.com>