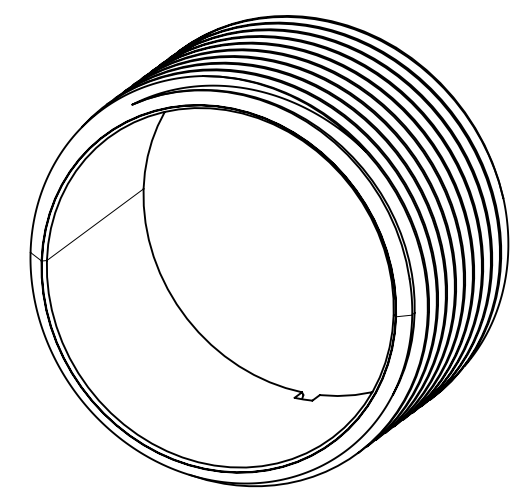
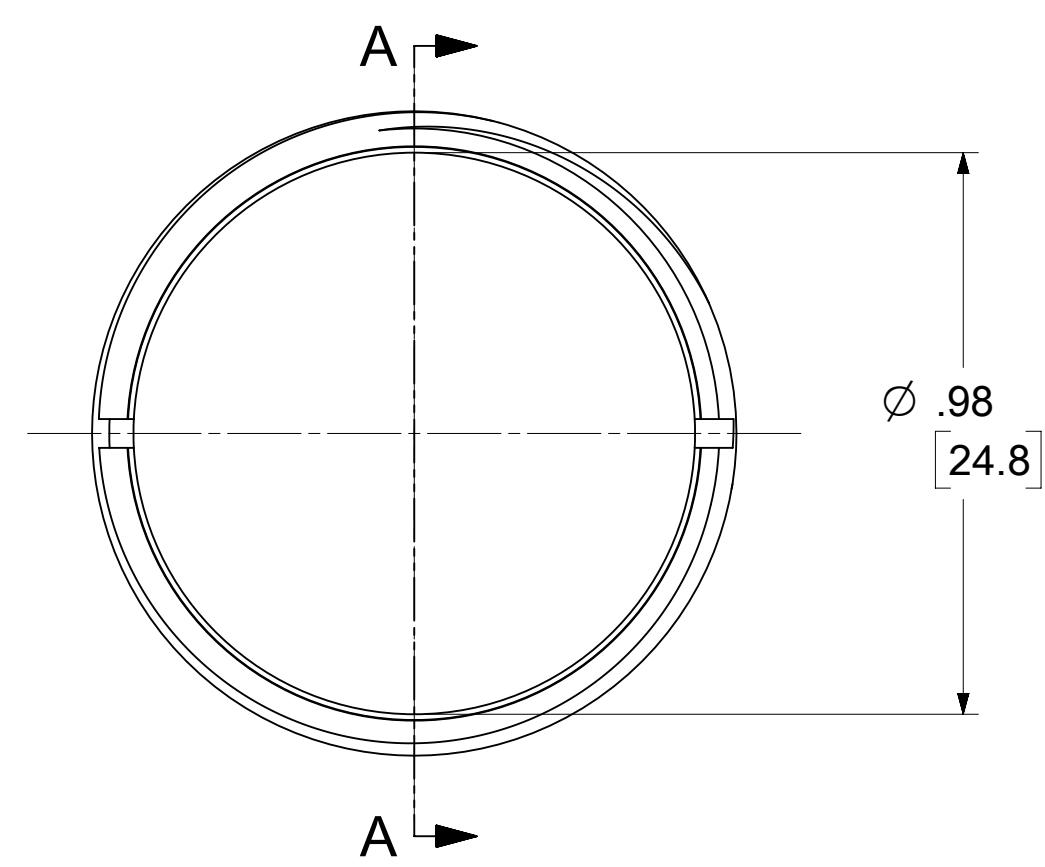
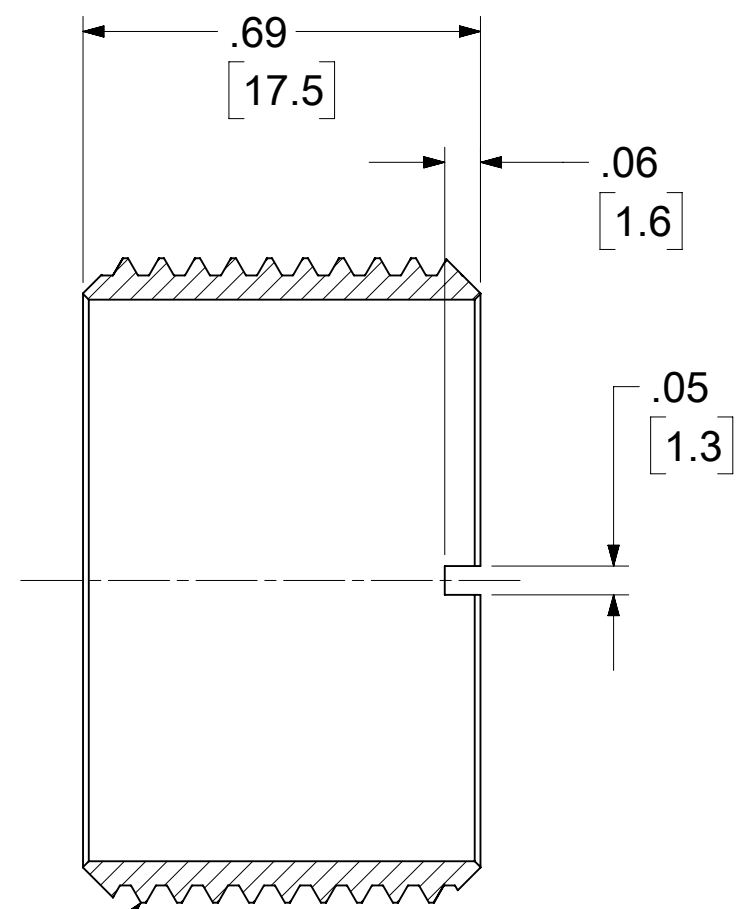


MATERIAL NO.	ENGINEERING NO.	FINISH	MATERIAL
1302011228	55-0496	CLEAR ANODIZE	ALUMINUM
1302011229	55-0496SS	PASSIVATED	ST. STEEL



SCALE 2:1



1 1/8-16 UN-2A

SECTION A-A

NOTE: (C)
ALL DIMENSIONS ARE FOR REFERENCE UNLESS TOLERANCED OR OTHERWISE NOTED

FUNCTIONAL SYMBOLS $\nabla_A = 0$ $\nabla_E = 0$ $\nabla_P = 0$	THIS DRAWING CONTAINS INFORMATION THAT IS PROPRIETARY TO MOLEX ELECTRONIC TECHNOLOGIES, LLC AND SHOULD NOT BE USED WITHOUT WRITTEN PERMISSION		CURRENT REV DESC: NOTE ADDED				
	DIMENSION UNITS	SCALE	EC NO: 701162				
	INCH/MM	2:1	DRWN: AKABADI 2022/01/13				
	GENERAL TOLERANCES (UNLESS SPECIFIED)		CHKD: RSTONE 2022/03/30				
DIVISIONAL SYMBOLS 4 PLACES ± 3 PLACES ± 2 PLACES ± 1 PLACE ± 0 PLACES ± ANGULAR TOL ± °	MM	INCH	APPR: BWOODMAN 2022/04/08		PRODUCT CUSTOMER DRAWING		
	INITIAL REVISION:		2009/08/24		DOCUMENT NUMBER		
	DRWN: BRUPERT		2009/08/27		SD-130201-228		
	APPR: JFMURPHY				DOC TYPE DOC PART REVISION		
DRAFT WHERE APPLICABLE MUST REMAIN WITHIN DIMENSIONS		THIRD ANGLE PROJECTION	DRAWING	SERIES	MATERIAL NUMBER	CUSTOMER	SHEET NUMBER
			B-SIZE	130201	SEE TABLE	GENERAL MARKET	1 OF 1

DOCUMENT STATUS	P1	RELEASE DATE	2022/04/08	14:05:57
-----------------	----	--------------	------------	----------