

- NOTES:
1. MATERIAL: SEE TABLE
  2. FINISHES: SEE TABLE
  3. ELECTRICAL SPECIFICATIONS  
VOLTAGE RATING: 300V AC/DC  
CURRENT RATING: 8 AMPS
  4. PROTECTION: IP67
  5. ASSEMBLY IS RoHC COMPLIANT  
BY EXEMPTION

① CABLE ASSY TYPE: MIN-CHANGE 5P MALE EXT. THD.

16AWG PUR GRAY

FINISHED LENGTH  
M005: 0.5 METERS  
M010: 1.0 METERS  
M100: 10.0 METERS

105006B21MXXX

	P1
BLACK	1
BLUE	2
GREEN/YELLOW	3
BROWN	4
WHITE	5

WIRING DIAGRAM

ITEM	QTY.	DESCRIPTION	MATERIAL	FINISH
6	1	WRAP LABEL	MYLAR	BLACK/YELLOW
5	1	OVERMOLD	PUR	BLACK
4	1	COUPLING RING-EXT THREAD	ZINC DIE-CAST	BLACK
3	5	CONTACT PIN	Cu ALLOY	GOLD PLATED
2	1	INSERT, 5P	PUR	BLACK
1	A/R	CABLE 5/C, 1.5mm <sup>2</sup> (16 AWG)	PUR JACKET	GRAY

ADDED PART NO. MATRIX  
EC NO: IPG2016-1424  
DRAWING: GUSTAFSON 2016/04/20  
CHKD: HZ/EL/INSKI 2016/05/12  
APPR: BRUPERT 2016/04/28

QUALITY SYMBOLS  
▽=0  
▽=0

GENERAL TOLERANCES (UNLESS SPECIFIED)

	mm	INCH
4 PLACES	±---	±---
3 PLACES	±---	±---
2 PLACES	±---	±.01
1 PLACE	±0.3	±---
0 PLACE	±---	±---

ANGULAR ± 2 °

DRAFT WHERE APPLICABLE  
MUST REMAIN  
WITHIN DIMENSIONS

DIMENSION STYLE  
IN/MM

DRAWN BY	DATE
RSTONE	2012/10/19
CHECKED BY	DATE
K JOZWIK	2012/11/26
APPROVED BY	DATE
JFMURPHY	2012/12/18

MATERIAL NO. \_\_\_\_\_

SCALE	DESIGN UNITS	THIRD ANGLE PROJECTION
1:1	INCH	☉

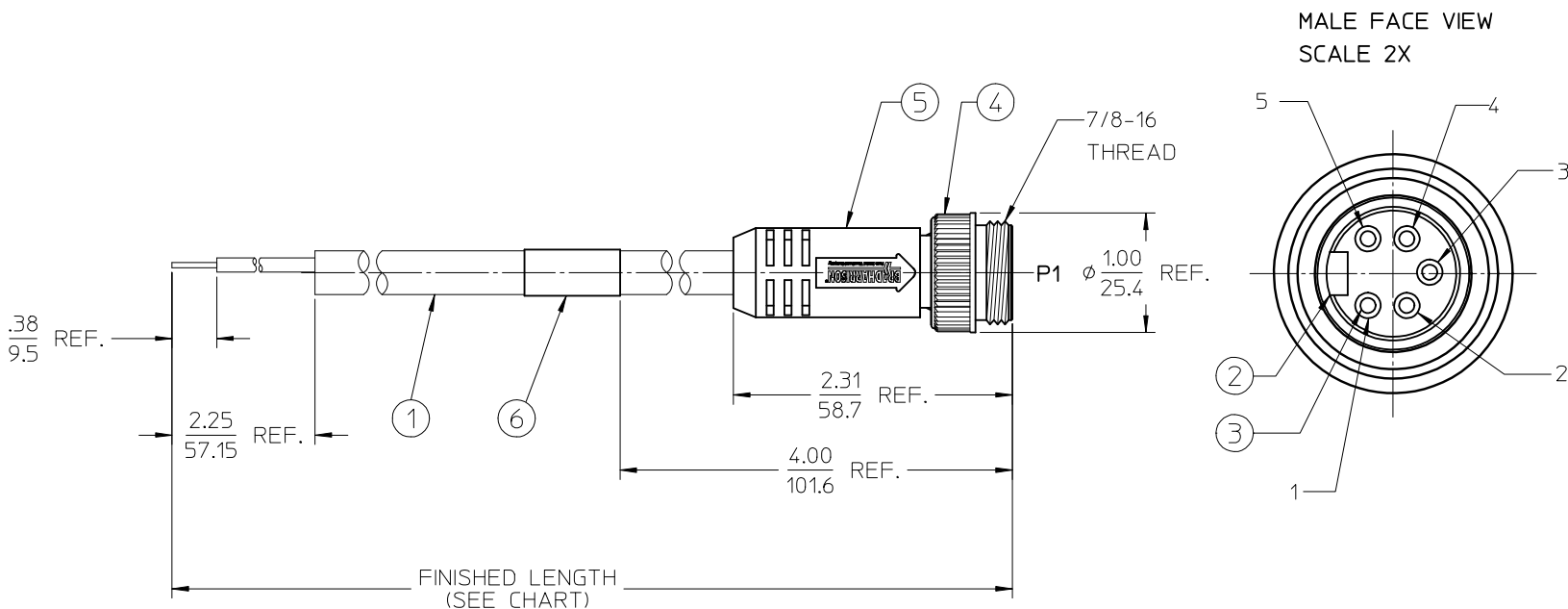
TITLE  
MINI-CHANGE CABLE ASSY  
5P MP STRAIGHT  
(16 AWG) PUR

**molex**

DOCUMENT NO. SD-130006-045

SHEET NO. 1 OF 1

THIS DRAWING CONTAINS INFORMATION THAT IS PROPRIETARY TO MOLEX INCORPORATED AND SHOULD NOT BE USED WITHOUT WRITTEN PERMISSION



- NOTES:
1. MATERIAL: SEE TABLE
  2. FINISHES: SEE TABLE
  3. ELECTRICAL SPECIFICATIONS  
VOLTAGE RATING: 300V AC/DC  
CURRENT RATING: 8 AMPS
  4. PROTECTION: IP67
  5. ASSEMBLY IS RoHC COMPLIANT  
BY EXEMPTION

(B) CABLE ASSY TYPE:  
MIN-CHANGE 5P  
MALE EXT. THD.

105006B21MXXX

16AWG PUR  
GRAY

FINISHED LENGTH  
M005: 0.5 METERS  
M010: 1.0 METERS  
M100: 10.0 METERS

	P1
BLACK	1
BLUE	2
GREEN/YELLOW	3
BROWN	4
WHITE	5

WIRING DIAGRAM

6	1	WRAP LABEL	MYLAR	BLACK/YELLOW
5	1	OVERMOLD	PUR	BLACK
4	1	COUPLING RING-EXT THREAD	ZINC DIE-CAST	BLACK
3	5	CONTACT PIN	Cu ALLOY	GOLD PLATED
2	1	INSERT, 5P	PUR	BLACK
1	A/R	CABLE 5/C, 1.5mm <sup>2</sup> (16 AWG)	PUR JACKET	GRAY
ITEM	QTY.	DESCRIPTION	MATERIAL	FINISH

ADDED PART NO. MATRIX  
EC NO: IPG2016-1424  
DRAWN:GGUSTAFSON 2016/04/20  
CHKD:MZ/EL/INSKI 2016/05/12  
APPR:BRUPERT 2016/04/28

QUALITY SYMBOLS  
▽=0  
▽=0

	GENERAL TOLERANCES (UNLESS SPECIFIED)	
	mm	INCH
4 PLACES	± ---	± ---
3 PLACES	± ---	± ---
2 PLACES	± ---	± .01
1 PLACE	± 0.3	± ---
0 PLACE	± ---	± ---
ANGULAR ± 2 °		
DRAFT WHERE APPLICABLE MUST REMAIN WITHIN DIMENSIONS		

DIMENSION STYLE	
IN	MM
DRAWN BY	DATE
RSTONE	2012/10/19
CHECKED BY	DATE
K JOZWIK	2012/11/26
APPROVED BY	DATE
JFMURPHY	2012/12/18
MATERIAL NO.	
-----	

SCALE	DESIGN UNITS	THIRD ANGLE PROJECTION
1:1	INCH	☉
TITLE		
MINI-CHANGE CABLE ASSY 5P MP STRAIGHT (16 AWG) PUR		
<b>molex</b>		
DOCUMENT NO.	SHEET NO.	
SD-130006-045	1 OF 1	

THIS DRAWING CONTAINS INFORMATION THAT IS PROPRIETARY TO MOLEX INCORPORATED AND SHOULD NOT BE USED WITHOUT WRITTEN PERMISSION