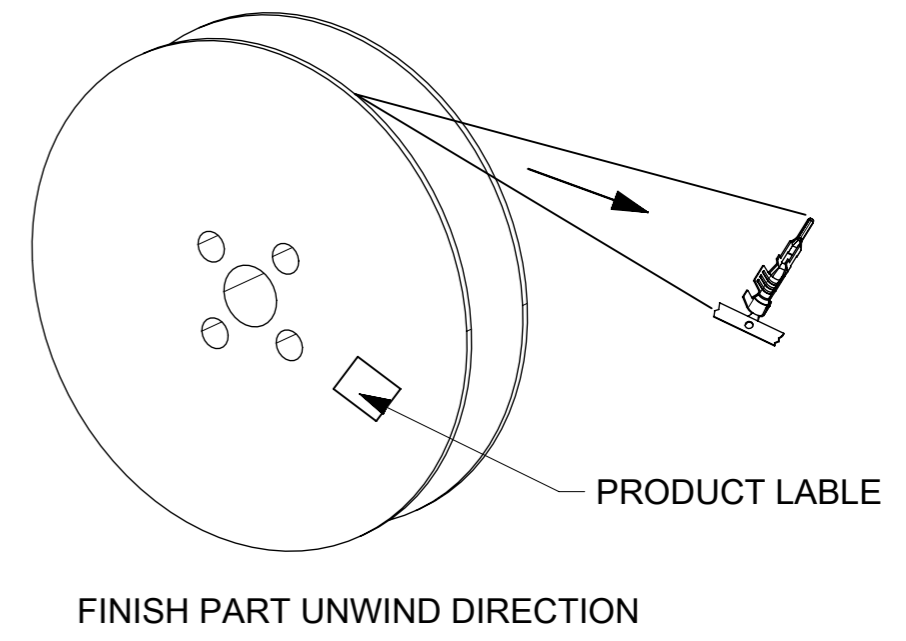
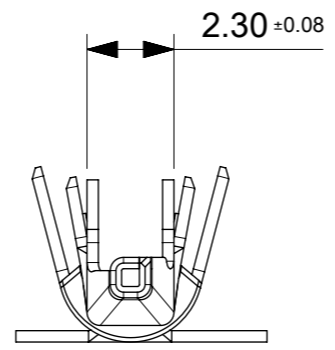
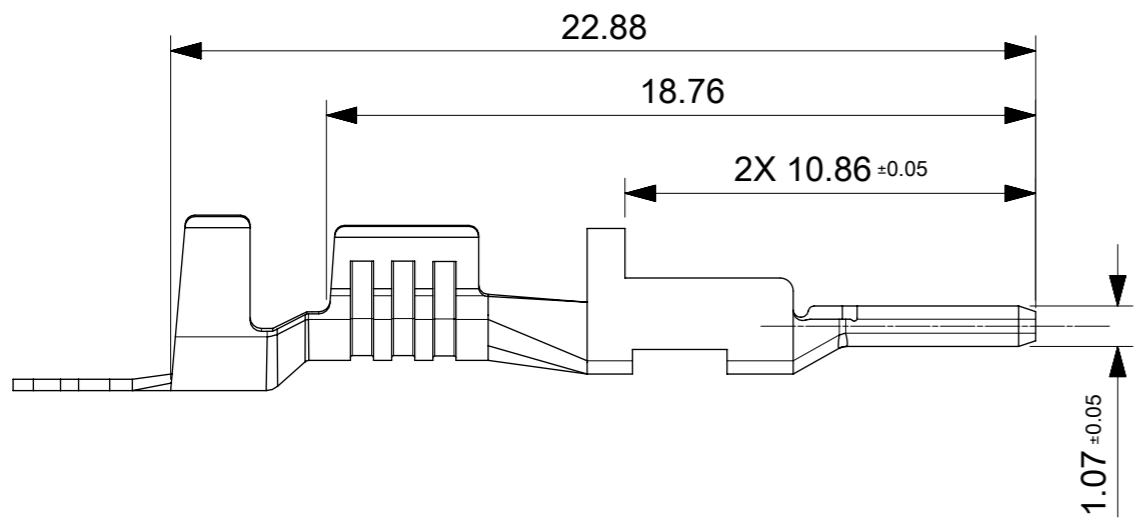
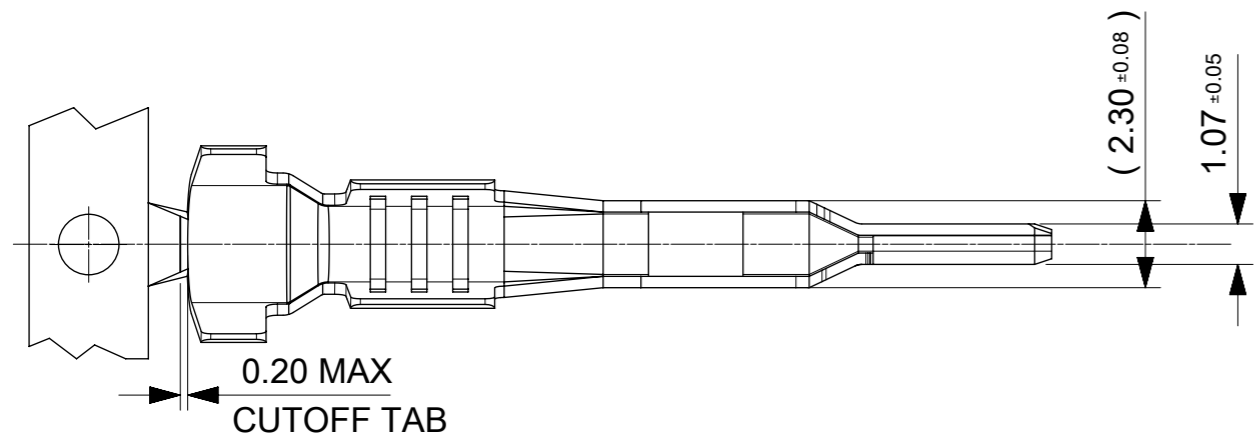
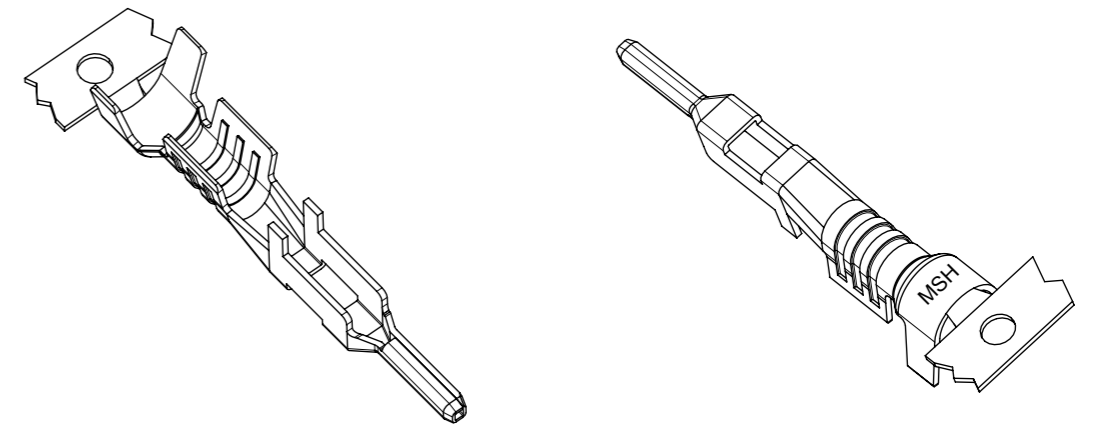
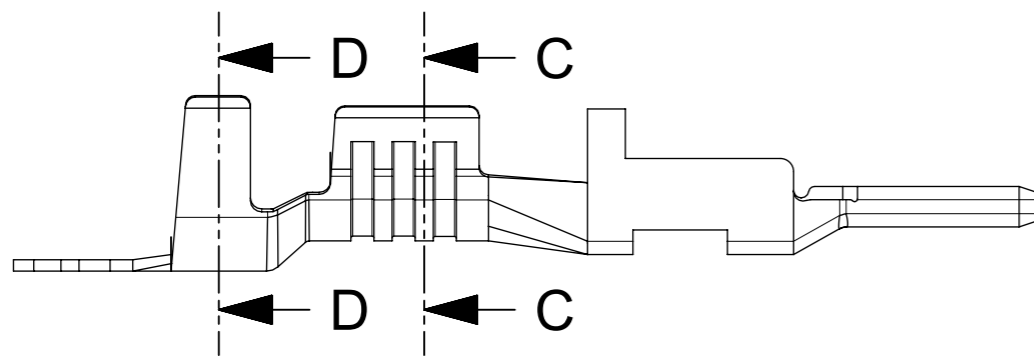


WIRE GAUGE		PART NO.	PLATING OPTION	LUBED	DIM "A"
NORMAL CRIMP	DOUBLE CRIMP				
10AWG	N/A	105417-0332	HOT DIP TIN PREPLATE-OVERALL 1.0µm(40µ") MIN	YES	14.00
12AWG	2x16AWG	105417-0333			13.00
14/16AWG	2x18AWG OR 2x20AWG	105417-0334			
10AWG	N/A	105418-0312	15u" GOLD 0.38µm(15µ") GOLD CONTACT AREA, 1.5µm(60µ")-2.5µm(100µ") MATTE TIN, OVER 1.25µm(50µ")-2.5µm(100µ") NICKEL OVERALL	YES	14.00
12AWG	2x16AWG	105418-0313			13.00
14/16AWG	2x18AWG OR 2x20AWG	105418-0314			
10AWG	N/A	105418-1312	30u" GOLD 0.76µm(30µ") GOLD CONTACT AREA, 1.5µm(60µ")-2.5µm(100µ") MATTE TIN, OVER 1.25µm(50µ")-2.5µm(100µ") NICKEL OVERALL	YES	14.00
12AWG	2x16AWG	105418-1313			13.00
14/16AWG	2x18AWG OR 2x20AWG	105418-1314			

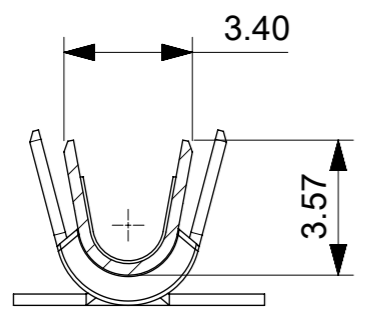


- NOTES:
1. MATERIAL: HIGH CONDUCTIVITY COPPER ALLOY.
 2. FINISH: SEE CHART.
 3. PRODUCT SPECIFICATION: 1054171000-PS.
 4. PACKAGING SPECIFICATION: REEL PER 1054170100.
 5. TERMINAL USED WITH MOLEX SERIES
PLUG HOUSING: 105411, 213814 AND 213815
FEMALE TERMINALS 76823/172063
 6. APPLICATION SPECIFICATION: 768232000-AS

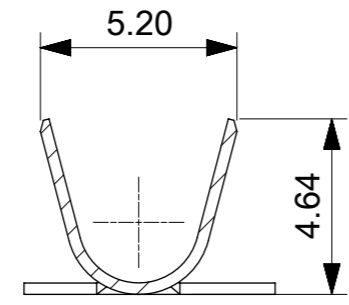
THIS DRAWING CONTAINS INFORMATION THAT IS PROPRIETARY TO MOLEX ELECTRONIC TECHNOLOGIES, LLC AND SHOULD NOT BE USED WITHOUT WRITTEN PERMISSION									
DIMENSION UNITS		SCALE		CURRENT REV DESC:					
mm		NTS		<p>MEGA-FIT MALE TML FOR 14/16AWG, 12AWG, AND 10AWG WIRE</p> <p>PRODUCT CUSTOMER DRAWING</p>					
GENERAL TOLERANCES (UNLESS SPECIFIED)									
ANGULAR TOL ± 3.0 °									
4 PLACES		±							
3 PLACES		±							
2 PLACES		± 0.25							
1 PLACE		± 0.35		EC NO: 722781		2022/10/20		DRWN: WYATTH5	
0 PLACES		±		2022/10/27		2022/10/27		APPR: XQZHANG	
DRAFT WHERE APPLICABLE MUST REMAIN WITHIN DIMENSIONS				THIRD ANGLE PROJECTION		DRAWING		SERIES	
A3-SIZE		105417		MATERIAL NUMBER		CUSTOMER		SHEET NUMBER	
SEE TABLE		GENERAL MARKET		1054170100		PSD 000		C3	



14/16 AWG WIRE STYLES

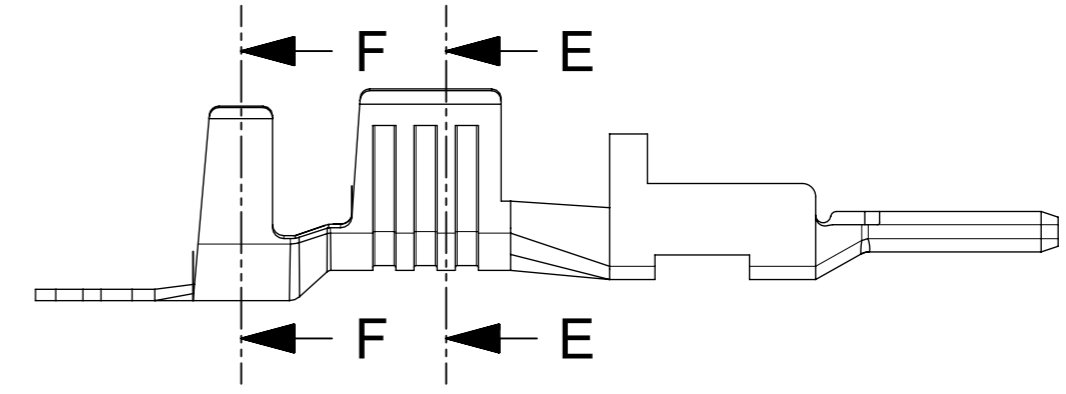


SECTION C-C

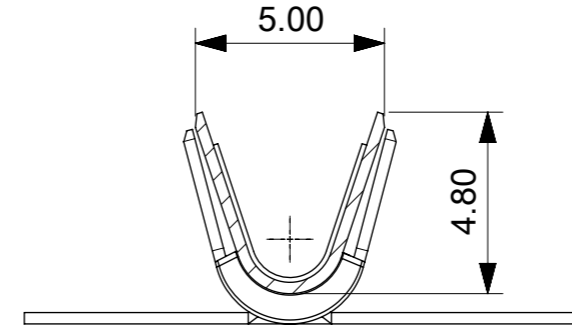


SECTION D-D

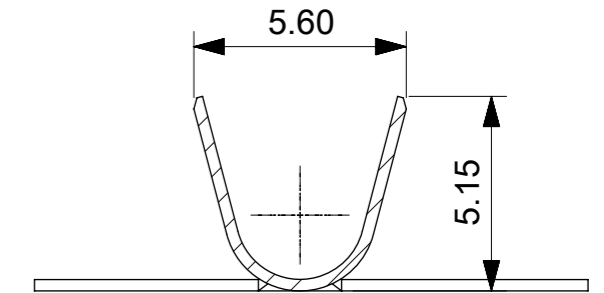
CONDUCTOR AND INSULATION 14/16 AWG WIRE STYLES



12 AWG WIRE STYLES



SECTION E-E

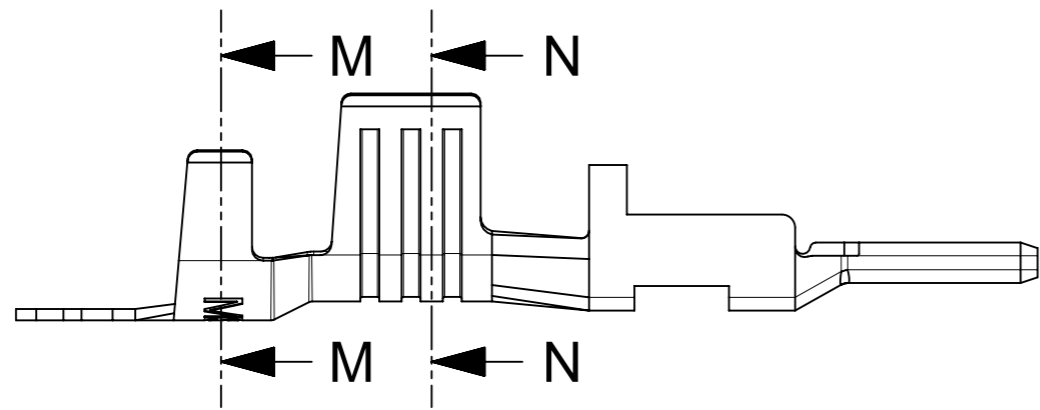


SECTION F-F

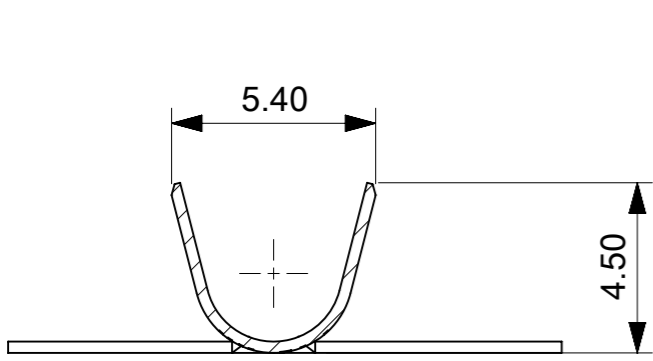
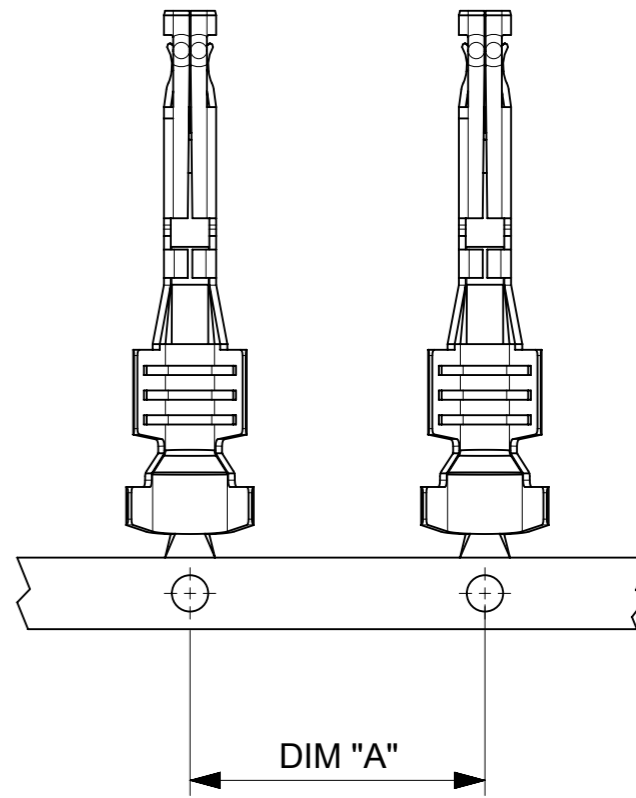
CONDUCTOR AND INSULATION 12 AWG WIRE STYLES

THIS DRAWING CONTAINS INFORMATION THAT IS PROPRIETARY TO MOLEX ELECTRONIC TECHNOLOGIES, LLC AND SHOULD NOT BE USED WITHOUT WRITTEN PERMISSION													
DIMENSION UNITS		SCALE		CURRENT REV DESC:				molex					
mm		NTS											
GENERAL TOLERANCES (UNLESS SPECIFIED)				EC NO: 722781 DRWN: WYATTH5 2022/10/20 CHK'D: XQZHANG 2022/10/27 APPR: XQZHANG 2022/10/27 INITIAL REVISION: DRWN: YXZHENG 2016/12/15 APPR: YXZHENG 2018/08/06				DOCUMENT NUMBER		DOC TYPE	DOC PART	REVISION	
ANGULAR TOL ± 3.0°								1054170100		PSD	000	C3	
4 PLACES ±								MATERIAL NUMBER		CUSTOMER			
3 PLACES ±								SEE TABLE		GENERAL MARKET			
2 PLACES ± 0.25								SERIES		SHEET NUMBER			
1 PLACE ± 0.35								A3-SIZE		2 OF 3			
0 PLACES ±				THIRD ANGLE PROJECTION									
DRAFT WHERE APPLICABLE MUST REMAIN WITHIN DIMENSIONS				DRAWING									

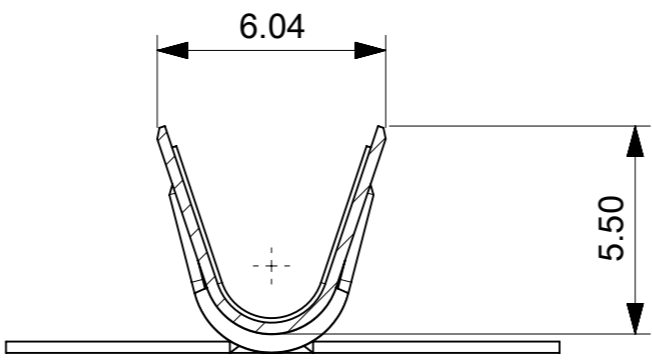
DOCUMENT STATUS	P1	RELEASE DATE	2022/10/27	06:33:12
-----------------	----	--------------	------------	----------



10 AWG WIRE STYLES



SECTION M-M



SECTION N-N

CONDUCTOR AND INSULATION 10 AWG WIRE STYLES

THIS DRAWING CONTAINS INFORMATION THAT IS PROPRIETARY TO MOLEX ELECTRONIC TECHNOLOGIES, LLC AND SHOULD NOT BE USED WITHOUT WRITTEN PERMISSION									
DIMENSION UNITS		SCALE		CURRENT REV DESC:				molex	
mm		NTS							
GENERAL TOLERANCES (UNLESS SPECIFIED)				EC NO: 722781				MEGA-FIT MALE TML FOR 14/16AWG, 12AWG, AND 10AWG WIRE	
ANGULAR TOL ± 3.0 °				DRWN: WYATTH5 2022/10/20					
4 PLACES ±				CHK'D: XQZHANG 2022/10/27					
3 PLACES ±				APPR: XQZHANG 2022/10/27				PRODUCT CUSTOMER DRAWING	
2 PLACES ± 0.25				INITIAL REVISION:				DOCUMENT NUMBER	
1 PLACE ± 0.35				DRWN: YXZHENG 2016/12/15				1054170100	
0 PLACES ±				APPR: YXZHENG 2018/08/06				PSD 000 C3	
DRAFT WHERE APPLICABLE MUST REMAIN WITHIN DIMENSIONS		THIRD ANGLE PROJECTION		DRAWING		SERIES		MATERIAL NUMBER	
				A3-SIZE		105417		SEE TABLE	
						CUSTOMER		GENERAL MARKET	
								SHEET NUMBER	
								3 OF 3	