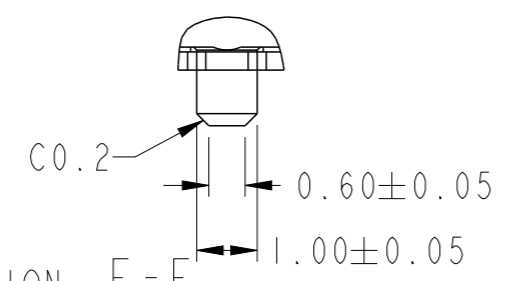
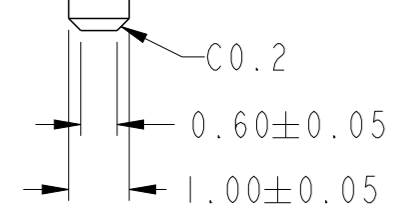
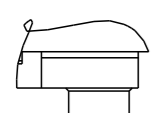
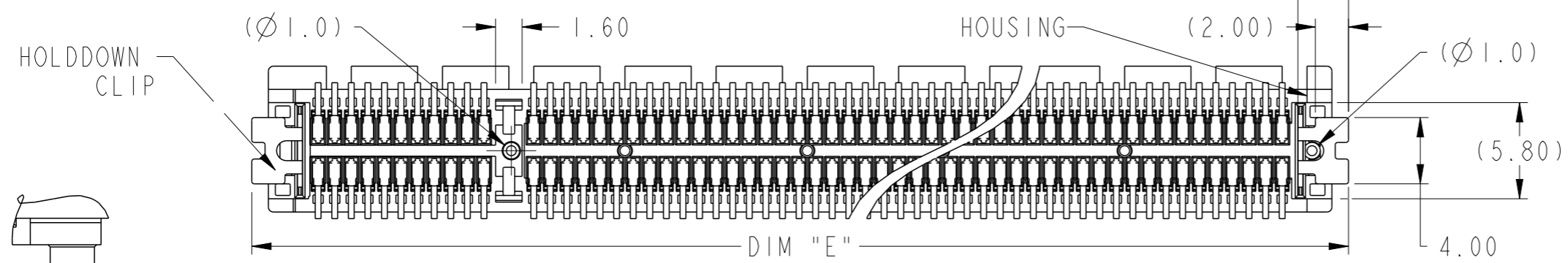
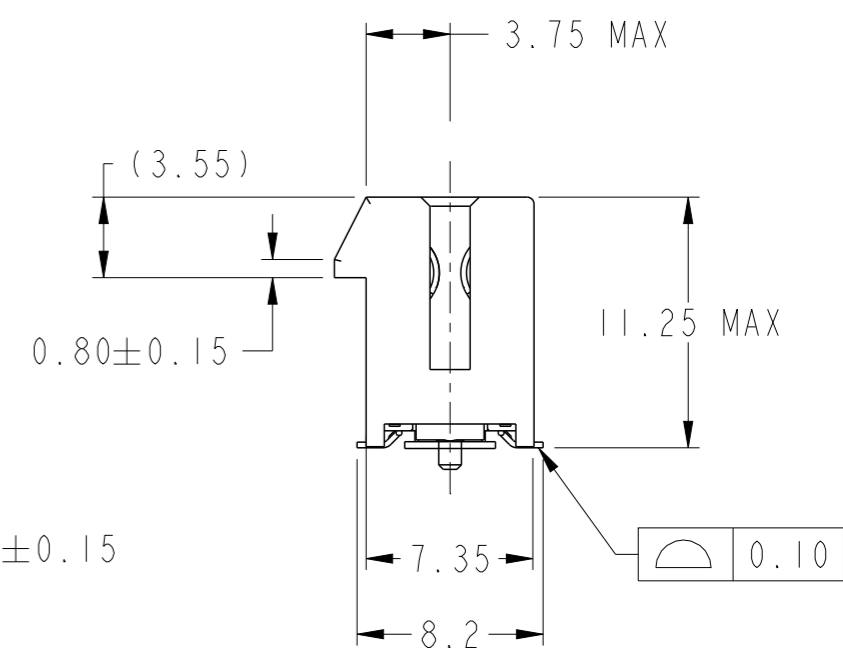
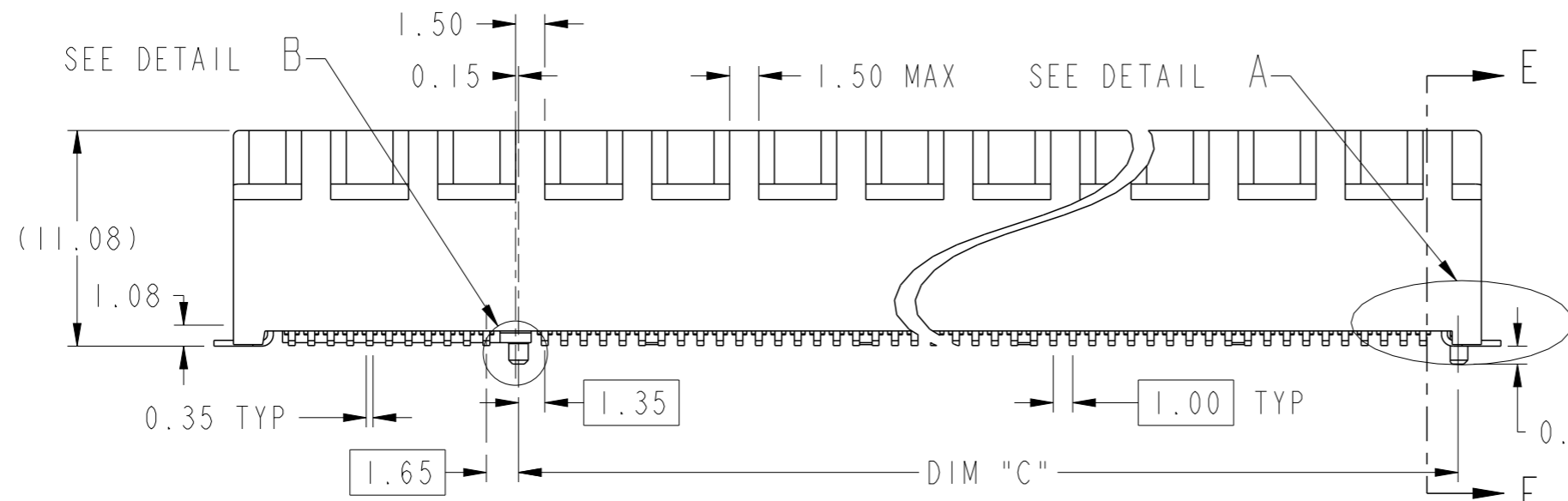
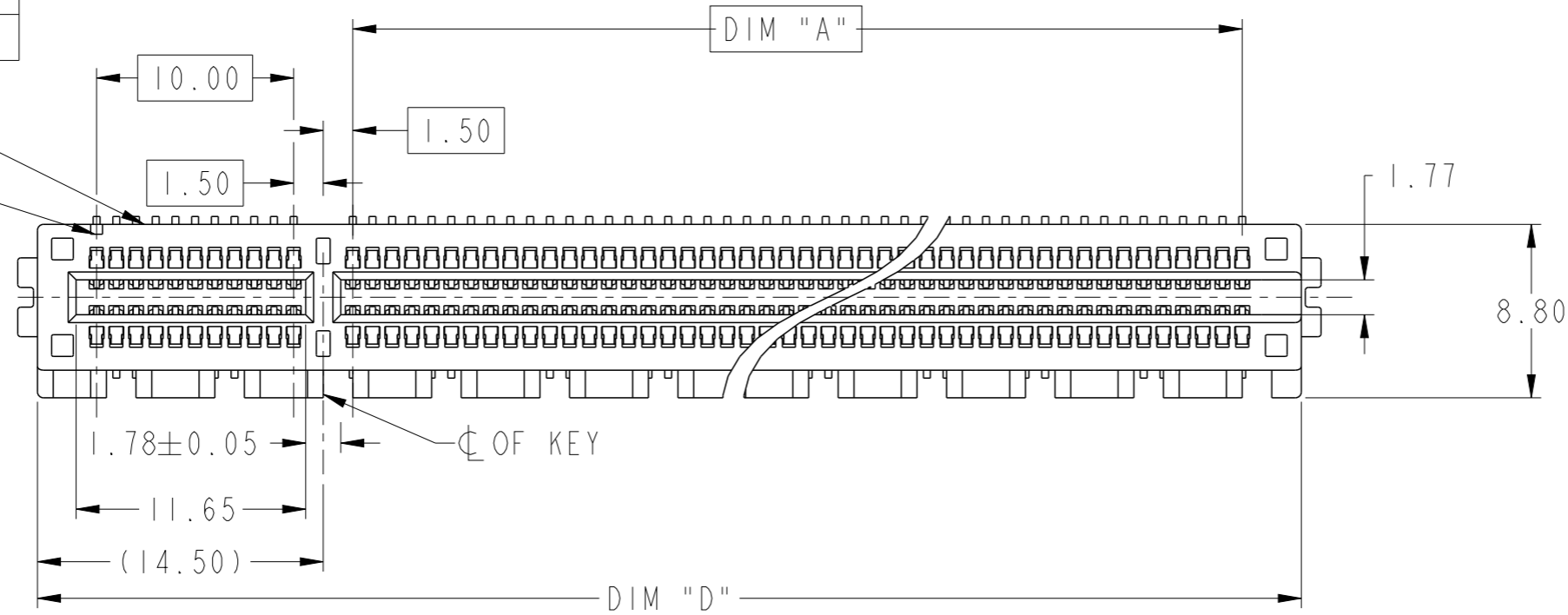


PRODUCT PARTNUMBER  
10146067-XXXXOLF

PARTNO &  
DATECODE

#AI IDENTIFIER



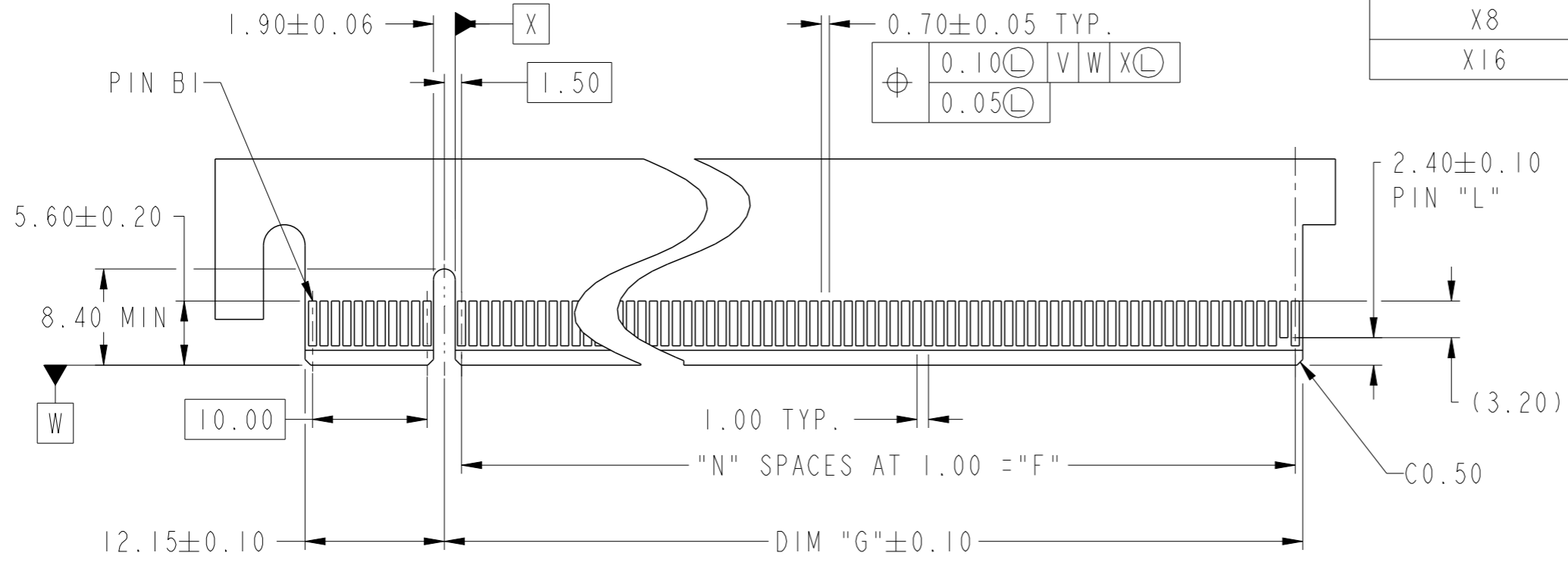
spec ref	-	dr	Cheong, Matthe	2017/11/20	projection	MM	size	A3	scale	3:1
tolerance std	ISO 406 ISO 1101	eng	Cheong, Matthe	2018/06/12			ecn no	ELX-S-30076-1	rel level	Released
TOLERANCES UNLESS OTHERWISE SPECIFIED		chr	-	app			Koon-Poh Tay	2018/06/27		product family
surface	ISO 1302	linear	0.X	±0.30	<b>Amphenol FCI</b> PCI Express 4.0 SMT Type www.fci.com		dwg no	10146067	rev	B
		angular	0°	±2°	cat. no.		-	Product - Customer Drw	sheet 1 of 4	

dr	Cheong, Matthe	2017/11/20	projection	MM	size	A3	scale	3:1		
eng	Cheong, Matthe	2018/06/12			ecn no	ELX-S-30076-1	rel level	Released		
chr	-	app			Koon-Poh Tay	2018/06/27		product family	PCI express	
TOLERANCES UNLESS OTHERWISE SPECIFIED		<b>Amphenol FCI</b> PCI Express 4.0 SMT Type www.fci.com		dwg no	10146067	rev	B			
surface	ISO 1302	linear	0.X	±0.30	cat. no.		-	Product - Customer Drw	sheet 1 of 4	
		angular	0°	±2°	PDS: Rev :B		STATUS:Released		Printed: Jul 05, 2018	

Amphenol FCI

© 2016 AFCI

CONNECTOR LINK WIDTH	POSITION	N	DIM "G"	DIM "F"	PIN "L"
X1	36	6	8.15	6.00	B17
X4	64	20	22.15	20.00	B31
X8	98	37	39.15	37.00	B48
X16	164	70	72.15	70.00	B81



← I/O PANEL DIRECTION  
PRIMARY (COMPONENT) SIDE

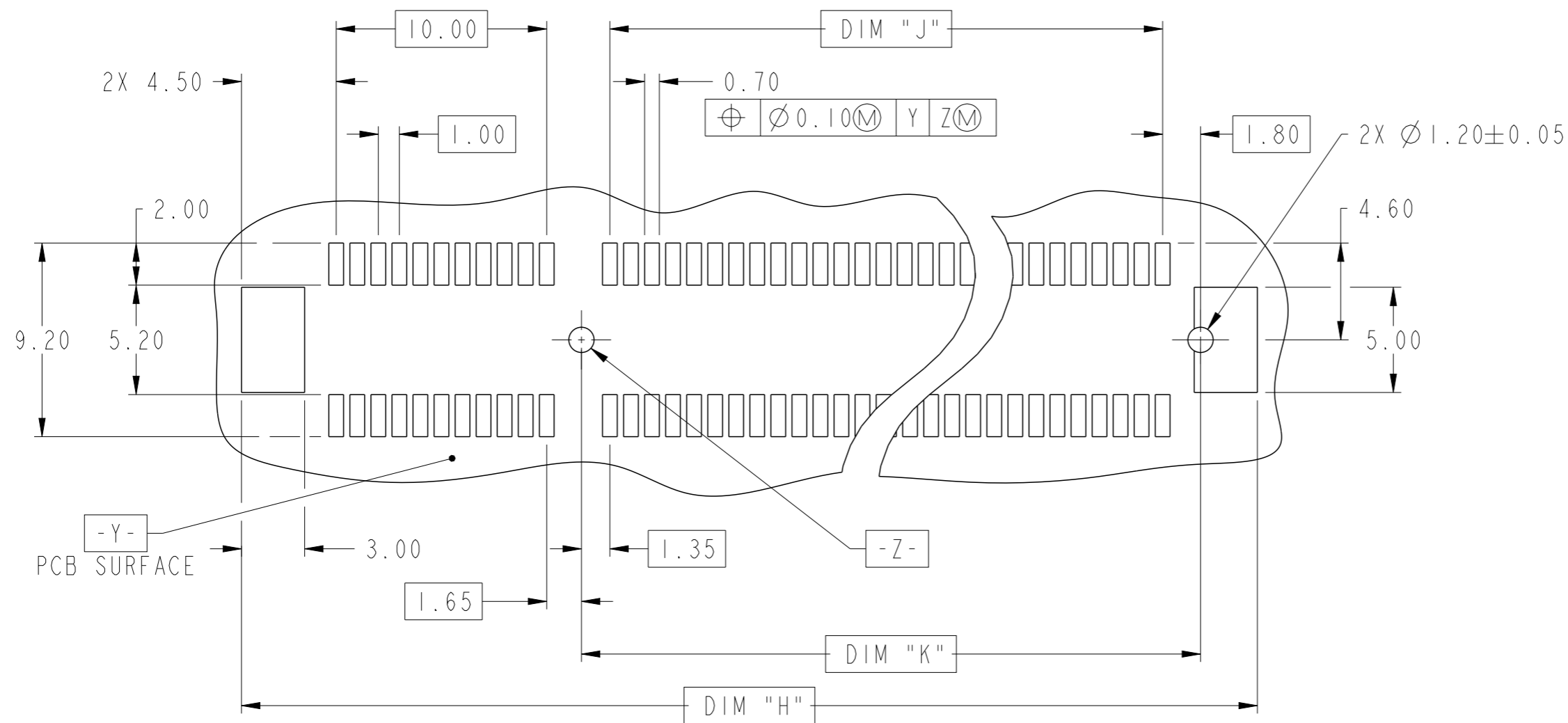


I/O PANEL DIRECTION →  
SECONDARY (SOLDER) SIDE

Amphenol FCI  
© 2016 AFCI

- NO TIE BAR PERMITTED FROM CARD EDGE TO LEADING EDGE OF PAD FOR PIN AI AND PIN "L".
- CHAMFER EDGES MUST BE FREE OF CUTTING BURRS.
- TOLERANCE : ± 0.13

spec ref	-	dr	Cheong, Matthe	2017/11/20	projection	MM	size	A3	scale	2:1	
tolerance std	ISO 406 ISO 1101	eng	Cheong, Matthe	2018/06/12			ecn no	ELX-S-30076-1			
TOLERANCES UNLESS OTHERWISE SPECIFIED		chr	-	-			product family	PCI express	rel level	Released	
surface	linear	appr	Koon-Poh Tay	2018/06/27	PCI Express 4.0		dwg no	10146067		rev	B
ISO 1302	angular	www.fci.com		cat. no.	Product - Customer Drw		sheet 2 of 4				



**RECOMMENDED PCB LAYOUT, PAD TYPE**

DIMENSIONS								
POSITION	A	B $\begin{smallmatrix} +0.15 \\ -0.05 \end{smallmatrix}$	C $\pm 0.10$	D $\pm 0.23$	E $\pm 0.20$	H $\pm 0.10$	J	K $\pm 0.10$
36	6.00	7.65	9.15	25.00	27.00	28.00	6.00	9.15
64	20.00	21.65	23.15	39.00	41.00	42.00	20.00	23.15
98	37.00	38.65	40.15	56.00	58.00	59.00	37.00	40.15
164	70.00	71.65	73.15	89.00	91.00	92.00	70.00	73.15

spec ref	-	dr	Cheong, Matthe	2017/11/20	projection	MM	size	A3	scale	4:1
tolerance std	ISO 406 ISO 1101	TOLERANCES UNLESS OTHERWISE SPECIFIED			eng	Cheong, Matthe	2018/06/12	ecn no	ELX-S-30076-1	
surface	-	chr	-	-	appr	Koon-Poh Tay	2018/06/27	product family	PCI express	
ISO 1302	linear	0.X	$\pm 0.30$	Amphenol FCI		PCI Express 4.0		rel level	Released	
		0.XX	$\pm 0.20$	www.fci.com		SMT Type		dwg no	10146067	
	angular	0°	$\pm 2^\circ$	cat. no.		-		Product - Customer Drw	sheet 3 of 4	

**PRODUCT NUMBER CODE**

10146067- □□□□ OLF

**HOUSING COLOR**

1: BLACK

**CONTACT AREA PLATING**

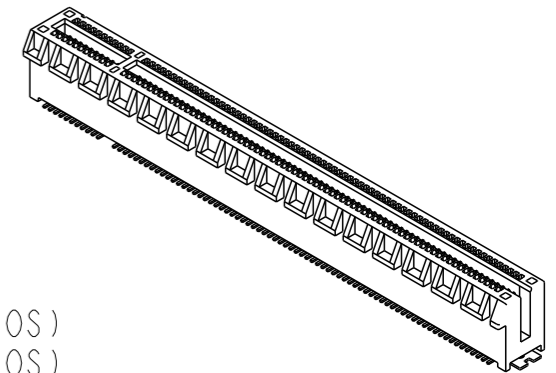
1: 30u" Au  
2: 15u" Au

**PACKAGING OPTIONS**

A: HARD TRAY (DIM: 323 x 136 x 19) WITH KAPTON TAPE (164 POS)  
 C: SOFT TRAY (317.5 x 235 x 18) WITH PICK-UP CAP (36 & 64 POS)  
 T: SOFT TRAY (317.5 x 235 x 18) WITH KAPTON TAPE (36 & 64 POS)  
 X: HARD TRAY (DIM: 330 x 235 x 19.3) WITH PICK UP CAP (98 & 164 POS)  
 Y: HARD TRAY (DIM: 330 x 235 x 19.3) WITH KAPTON TAPE (98 & 164 POS)  
 Z: HARD TRAY (DIM: 330 x 235 x 19.3) WITH KAPTON TAPE, 86MM (164 POS)

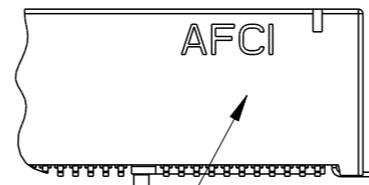
**NO. OF POSITION**

0: 36 POSITIONS  
 1: 64 POSITIONS  
 2: 98 POSITIONS  
 3: 164 POSITIONS



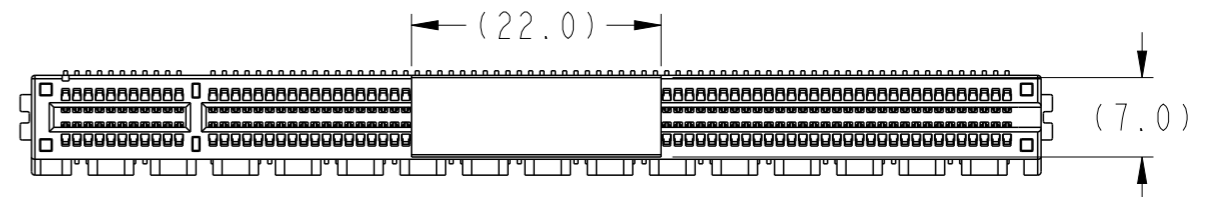
**NOTES:**

- MATERIAL:**  
HOUSING: HIGH PERFORMANCE RESINS, GLASS FILLED, UL94V-0  
CONTACT: COPPER ALLOY.  
METAL PADS: COPPER ALLOY
- PLATING:**  
CONTACT: UNDERPLATE: 50u" NICKEL OVER ALL.  
SOLDER AREA: 100u" TIN (LEAD FREE).  
MATING AREA: SEE PRODUCT NUMBER CODE.  
HOLDDOWN CLIP: 100u" TIN OVER 50 u" NICKEL.
- PRODUCT SPECIFICATION:** GS-12-1406
- PRODUCT MEETS EUROPEAN UNION DIRECTIVES AND OTHER COUNTRY REGULATIONS AS DESCRIBED IN GS-22-008.**
- DATE CODE "MMDDYYL", MMDDYY IS ASSEMBLY DATE. L IS AFCI PRODUCTION SITE.**
- THIS PRODUCT MEETS EUROPEAN UNION DIRECTIVES AND OTHER COUNTRY REGULATIONS AS DESCRIBED IN GS-47-004.**
- THE HOUSING WILL WITHSTAND EXPOSURE TO 260° PEAK TEMPERATURE FOR 10 SECONDS IN A CONVECTION, INFRA-RED OR VAPOR PHASE REFLOW OVEN.**

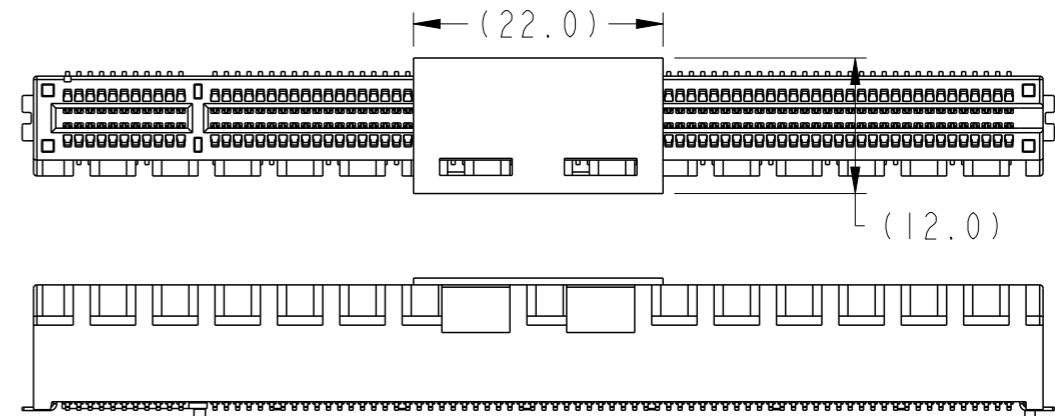


DATA CODE & PARTNO

**POSITION OF KAPTON TAPE**



**POSITION OF PICK UP CAP**



Amphenol FCI

© 2016 AFCI

spec ref -		dr	Cheong, Matthe	2017/11/20	projection	MM	size	A3	scale	2:1
tolerance std		eng	Cheong, Matthe	2018/06/12			ecn no		ELX-S-30076-1	
ISO 406	TOLERANCES UNLESS OTHERWISE SPECIFIED	chr	-	-			rel level		Released	
ISO 1101		appr	Koon-Poh Tay	2018/06/27	product family		PCI express			
surface		linear	Amphenol FCI		PCI Express 4.0		dwg no		10146067	
		www.fci.com		SMT Type				B		
ISO 1302	angular			cat. no.		Product - Customer Drw		sheet 4 of 4		