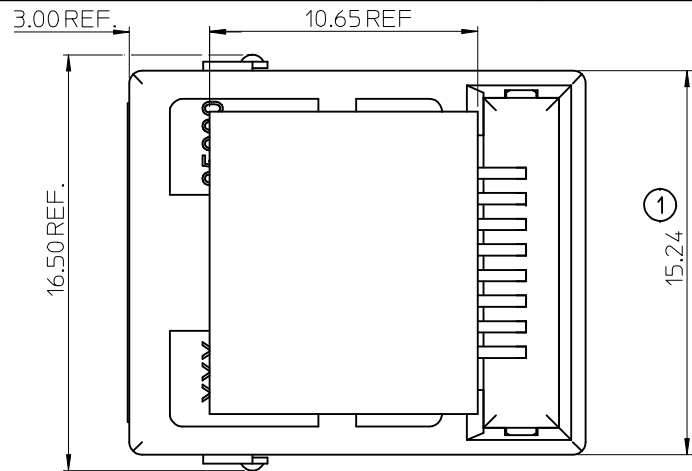


NOTES:

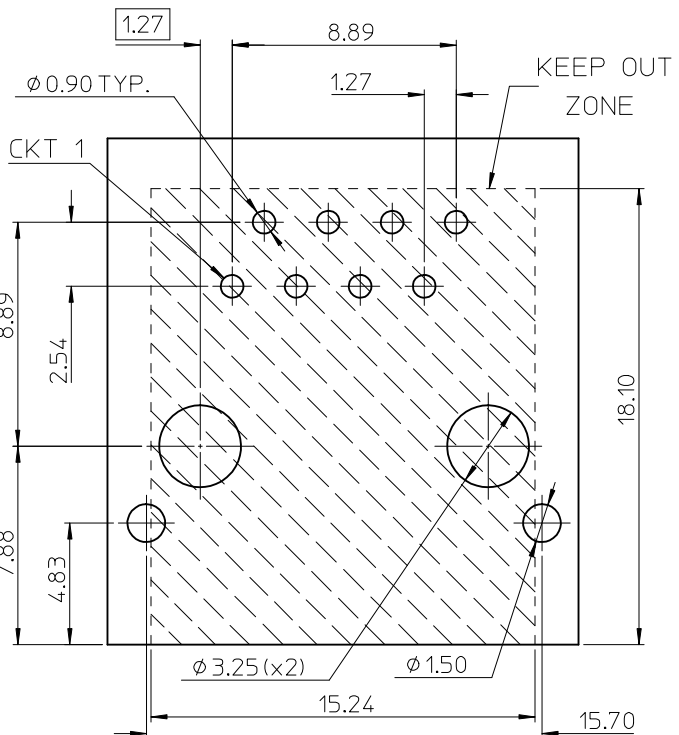
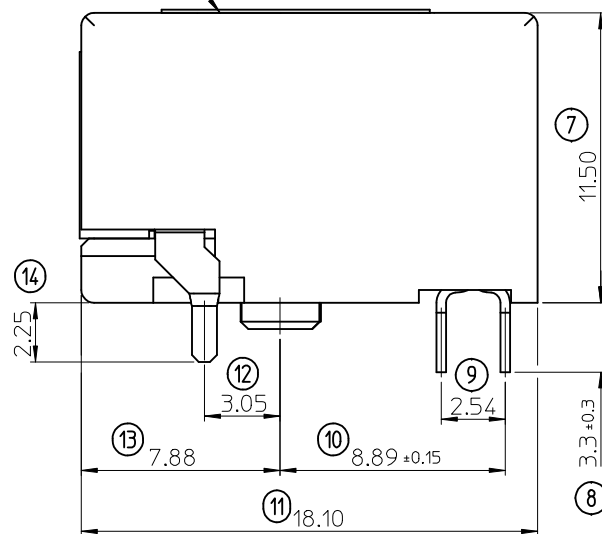
- 1- MATERIAL :
HOUSING :-LCP GLASS FILLED UL 94V0, COLOUR: BLACK
TERMINAL:-COPPER ALLOY PLATED WITH:
BASE FINISH: NICKEL
CONTACT SURFACE FINISH:
GOLD,
OR
GOLD FLASH OVER PALLADIUM NICKEL.
EXCEEDS PRODUCT REQUIREMENTS BASED ON PS-95540-002
SHIELD: COPPER ALLOY PLATED WITH TIN.
- 2- P.C. BOARD THICKNESS: 1.57±0.15
- 3- JACK FOR MATING WITH IEC 60603-7 AND TIA-1096-A PLUGS
- 4- PRODUCT SPECIFICATION: PS-95540-002
- 5- PACKAGING SPECIFICATION: PK-95540-001
- 6- MANUFACTURING I.D. CAN BE EITHER MXI, MG OR MXF.
- 7- KAPTON ADHESIVE FOIL: 0.125 THICK
LAST INSPECTION NO: ⑩
REMOVED INSPECTION NO: ⑥

MATERIAL NUMBER

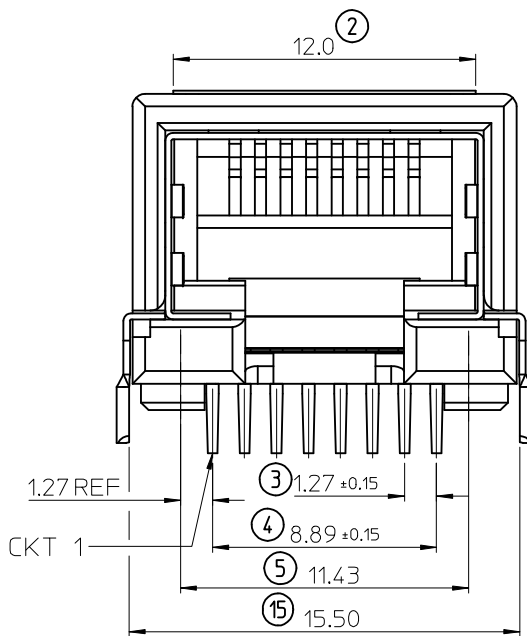
95540-7886



NOTE 7:



RECOMMENDED P.C. BOARD LAYOUT
VIEW FROM COMPONENT SIDE
ALL DIMENSIONS REF DIMENSIONS



UPDATED VIEW
EC NO: IPG2014-0847
DRWN:DBYRNES 2013/10/16
CHKD:
APPR:STGRIFFIN 2013/12/16

QUALITY SYMBOLS
▽=0
∇=0

GENERAL TOLERANCES (UNLESS SPECIFIED)

	mm	INCH
4 PLACES	± ---	± ---
3 PLACES	± ---	± ---
2 PLACES	± 0.10	± ---
1 PLACE	± 0.15	± ---
ANGULAR ± .5 °		

DRAFT WHERE APPLICABLE
MUST REMAIN
WITHIN DIMENSIONS

DIMENSION STYLE
MM ONLY

DRAWN BY	DATE	TITLE
D. BYRNES	2009/08/20	RIGHT ANGLE LOW PROFILE SHIELDED PC JACK 8CKT T/HOLE
CHECKED BY	DATE	
JDWALLACE	2009/08/21	
APPROVED BY	DATE	
JDWALLACE	2009/08/21	

SCALE
5:1

DESIGN UNITS
METRIC

THIRD ANGLE PROJECTION



MOLEX INCORPORATED

MATERIAL NO.

SEE CHART

DOCUMENT NO.

SD-95540-002

SHEET NO.

1 OF 1

SIZE
A3

THIS DRAWING CONTAINS INFORMATION THAT IS PROPRIETARY TO MOLEX INCORPORATED AND SHOULD NOT BE USED WITHOUT WRITTEN PERMISSION