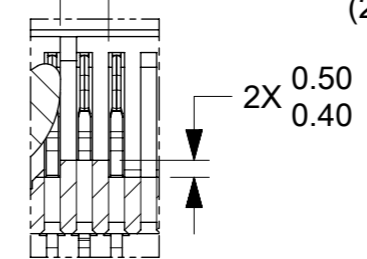


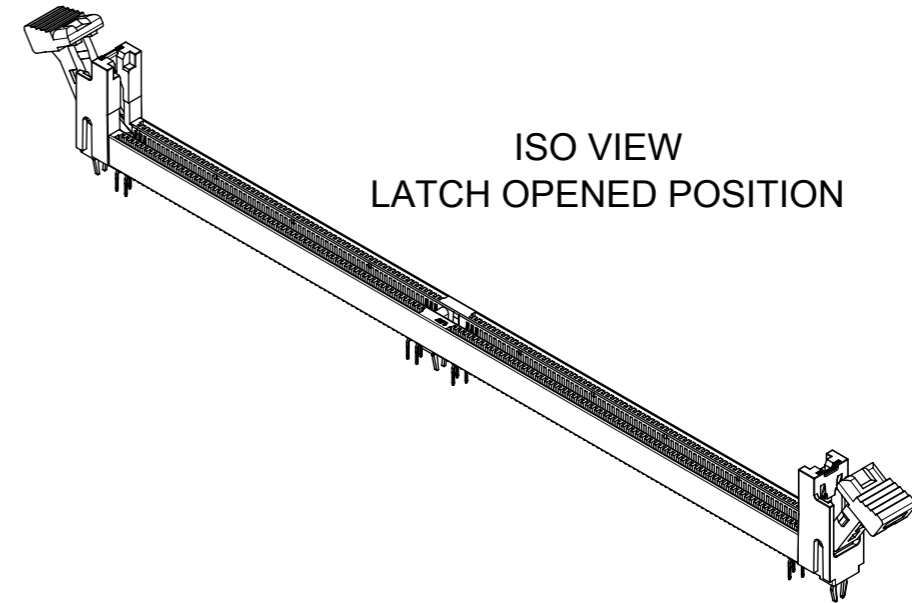
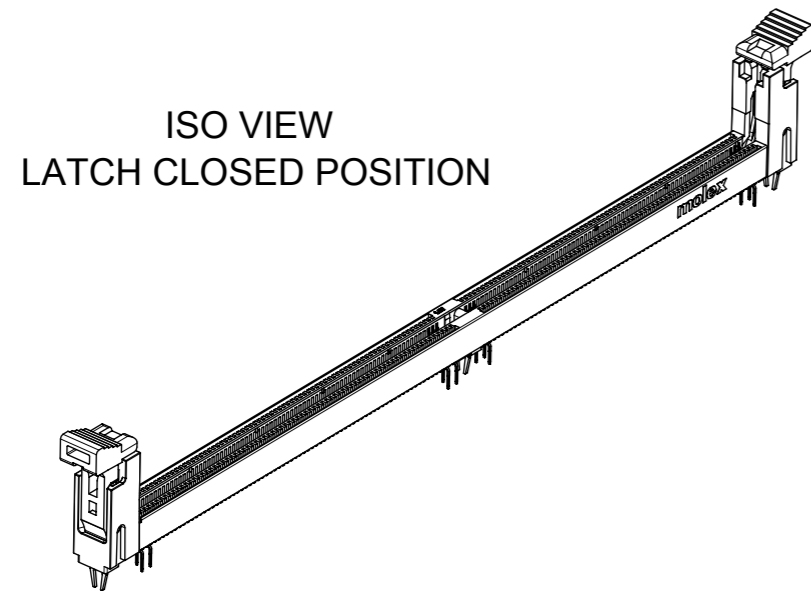
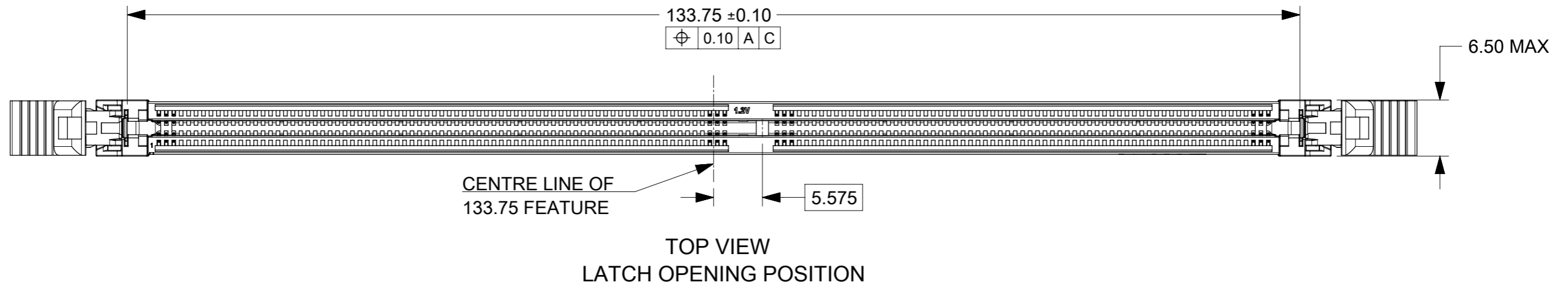
**NOTES:**  
 1. MATERIAL : HOUSING - HALOGEN FREE HIGH TEMP POLYAMIDE, GLASS FILLED, UL94V-0.  
 COLOUR : SEE TABLE ON SHEET 5.  
 LATCH - HALOGEN FREE HIGH TEMP POLYAMIDE, GLASS FILLED, UL94V-0.  
 COLOUR : SEE TABLE ON SHEET 5.  
 TERMINAL : COPPER ALLOY.  
 FORKLICK: COPPER ALLOY.

- 2. FINISHES - SEE TABLE ON SHEET 5.
- 3. PRODUCT SPECIFICATION : SEE TABLE ON SHEET 5.
- 4. PACKAGING SPECIFICATION: PRODUCT SHALL BE PACKED IN TRAY, SEE SHEET 5
- 5. CARD SLOT ACCEPTS 1.40±0.10MM MODULE THICKNESS (MEASURED OVER P.C. PADS).
- △ 6 MOLEX LOGO, DATE & PART NO. INDICATED ON HOUSING.
- △ 7 MODULE SEATING PLANE.
- △ 8 KEEP OUT ZONE RESERVED FOR LATCH.
- △ 9 KEEP OUT AREA IS THE AREA WHERE THE CONNECTOR (INCLUDES LATCHES IN OPENING POSITION) IS MOUNTED ON THE PCB.
- 10.REFER TO AS-78726-001 FOR CONNECTOR APPLICATION GUIDELINE.
- 11.REFER TO AS-78726-002 FOR PCB ROUTING RECOMMENDATIONS.

**DETAIL 5 : BUMPER ZONE**



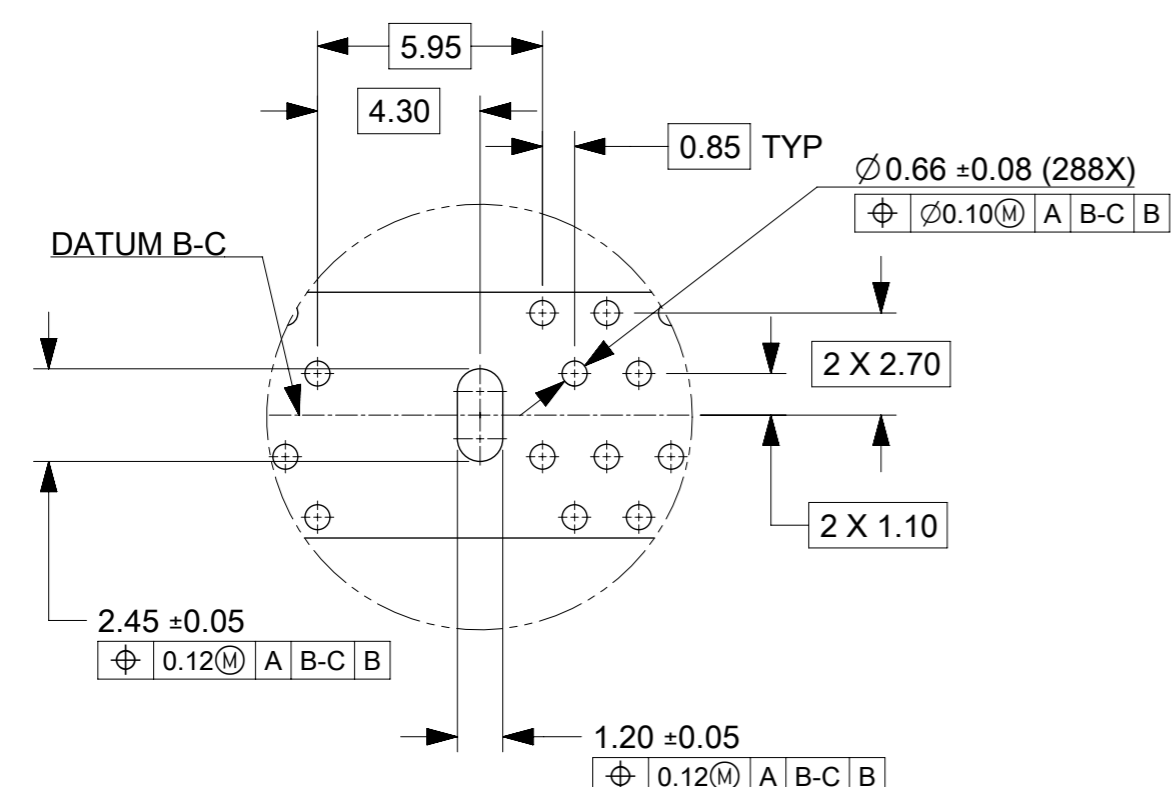
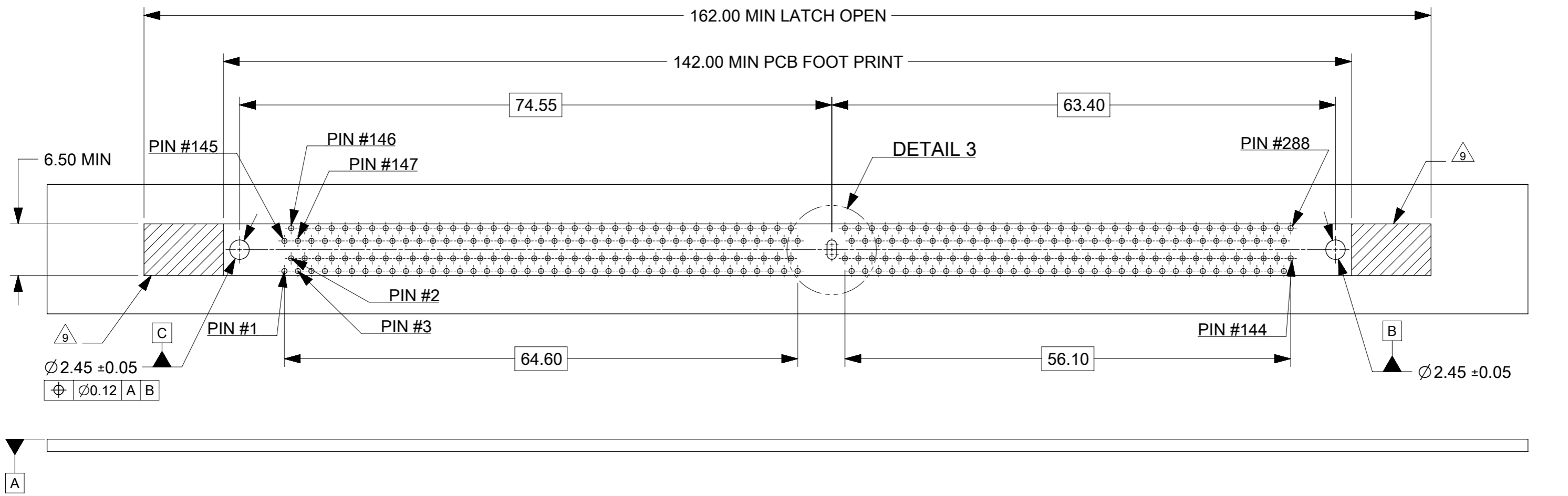
THIS DRAWING CONTAINS INFORMATION THAT IS PROPRIETARY TO MOLEX ELECTRONIC TECHNOLOGIES, LLC AND SHOULD NOT BE USED WITHOUT WRITTEN PERMISSION									
DIMENSION UNITS		SCALE		CURRENT REV DESC: REMOVED OBSOLETE PART NUMBER AS PER PCN#511698.					
mm		NTS		<p>DDR4 DIMM, 0.85MM PITCH 288CKTS, VERTICAL TH</p> <p>PRODUCT CUSTOMER DRAWING</p>					
GENERAL TOLERANCES (UNLESS SPECIFIED)									
ANGULAR TOL ± 3.0 °									
4 PLACES ±		EC NO: 742551							
3 PLACES ±		DRWN: SANTHN 2023/04/20							
2 PLACES ± 0.2		CHK'D: GGA 2023/05/12							
1 PLACE ±		APPR: GGA 2023/05/12							
0 PLACES ±		INITIAL REVISION:							
DRAFT WHERE APPLICABLE MUST REMAIN WITHIN DIMENSIONS		DRWN: EFLEE 2012/03/08		DOCUMENT NUMBER		DOC TYPE		DOC PART	
THIRD ANGLE PROJECTION		DRAWING		SERIES		MATERIAL NUMBER		CUSTOMER	
A3-SIZE		78726		SD-78726-002		PSD		000 A9	
SEE TABLE		GENERAL MARKET		SHEET NUMBER		1 OF 6			



THIS DRAWING CONTAINS INFORMATION THAT IS PROPRIETARY TO MOLEX ELECTRONIC TECHNOLOGIES, LLC AND SHOULD NOT BE USED WITHOUT WRITTEN PERMISSION									
DIMENSION UNITS	SCALE	CURRENT REV DESC: REMOVED OBSOLETE PART NUMBER AS PER PCN#511698.							
mm	NTS								
GENERAL TOLERANCES (UNLESS SPECIFIED)									
ANGULAR TOL	± 3.0 °	<b>DDR4 DIMM, 0.85MM PITCH 288CKTS, VERTICAL TH</b>							
4 PLACES	±	<b>PRODUCT CUSTOMER DRAWING</b>							
3 PLACES	±	EC NO: 742551	DRWN: SANTHN	2023/04/20	<b>SD-78726-002</b>				
2 PLACES	± 0.2	CHK'D: GGA	2023/05/12	APPR: GGA					
1 PLACE	±	INITIAL REVISION:			DOCUMENT NUMBER	DOC TYPE	DOC PART	REVISION	
0 PLACES	±	DRWN: EFLEE	2012/03/08	2012/05/09	PSD	000	A9		
DRAFT WHERE APPLICABLE MUST REMAIN WITHIN DIMENSIONS		THIRD ANGLE PROJECTION	DRAWING	SERIES	MATERIAL NUMBER	CUSTOMER	SHEET NUMBER		
			A3-SIZE	78726	SEE TABLE	GENERAL MARKET	2 OF 6		



10 9 8 7 6 5 4 3 2 1



DETAIL 3

THIS DRAWING CONTAINS INFORMATION THAT IS PROPRIETARY TO MOLEX ELECTRONIC TECHNOLOGIES, LLC AND SHOULD NOT BE USED WITHOUT WRITTEN PERMISSION											
DIMENSION UNITS		SCALE		CURRENT REV DESC: REMOVED OBSOLETE PART NUMBER AS PER PCN#511698.							
mm		NTS									
GENERAL TOLERANCES (UNLESS SPECIFIED)										DDR4 DIMM, 0.85MM PITCH 288CKTS, VERTICAL TH	
ANGULAR TOL ± 3.0°											
4 PLACES		±		EC NO: 742551		2023/04/20		PRODUCT CUSTOMER DRAWING			
3 PLACES		±		DRWN: SANTHN		2023/05/12					
2 PLACES		± 0.2		CHK'D: GGA		2023/05/12		DOCUMENT NUMBER <b>SD-78726-002</b>			
1 PLACE		±		APPR: GGA		2023/05/12					
0 PLACES		±		INITIAL REVISION:				DOC TYPE PSD			
				DRWN: EFLEE		2012/03/08		DOC PART 000			
				APPR: EKSOH		2012/05/09		REVISION A9			
DRAFT WHERE APPLICABLE MUST REMAIN WITHIN DIMENSIONS		THIRD ANGLE PROJECTION		DRAWING		SERIES		MATERIAL NUMBER			
				A3-SIZE		78726		CUSTOMER GENERAL MARKET			
								SHEET NUMBER 4 OF 6			

DOCUMENT STATUS	P1	RELEASE DATE	2023/05/12	06:17:40
-----------------	----	--------------	------------	----------

9 8 7 6 5 4 3 2 1

F  
E  
D  
C  
B  
A

CKT SIZE	ASSEMBLY PART NO.	HOUSING COLOR	LATCH COLOR	DIM "P"	RECOMMENDED PCB THICKNESS	PLATING OPTION		PRODUCT SPEC. NO.	PACKAGING SPEC. NO.
						TERMINAL	FORKLOCK		
288	78726-1051	BLACK	BLACK	2.10	1.57	0.76 MICROMETER (30 MICROINCH) MIN GOLD ON CONTACT	1 MICROMETER (40 MICROINCH) MIN TIN OVERALL (PRE-PLATED)	PS-78726-001	PK-78726-001
	78726-1039			2.40	1.57				
	78726-1002			2.67	1.57				
	78726-1003			3.18	2.36				
	78726-1026			3.50	3.00				
	78726-1040	BLACK	WHITE	2.40	1.57				
	78726-1004			2.67	1.57				
	78726-1005			3.18	2.36				
	78726-1041	WHITE	BLACK	2.40	1.57				
	78726-1054	WHITE	WHITE	2.10	1.57				
	78726-1042			2.40	1.57				
	78726-1029			3.50	3.00				
	78726-1055			2.10	1.57				
	78726-1043	BLUE	BLUE	2.40	1.57				
	78726-1010			2.67	1.57				
	78726-1011			3.18	2.36				
	78726-1030			3.50	3.00				
	78726-1023	BLUE	WHITE	3.18	2.36				
	78726-1064	YELLOW	WHITE	2.40	1.57				
	78726-0081	BLACK	BLACK	3.18	2.36				
78726-3005	WHITE			3.18	2.36				
78726-3052				2.10	1.57				
78726-4039				BLACK	2.40	1.57			
78726-4040				WHITE	2.40	1.57			

THIS DRAWING CONTAINS INFORMATION THAT IS PROPRIETARY TO MOLEX ELECTRONIC TECHNOLOGIES, LLC AND SHOULD NOT BE USED WITHOUT WRITTEN PERMISSION

DIMENSION UNITS	SCALE	CURRENT REV DESC: REMOVED OBSOLETE PART NUMBER AS PER PCN#511698.	<b>molex</b>						
mm	NTS								
GENERAL TOLERANCES (UNLESS SPECIFIED)		EC NO: 742551 DRWN: SANTHN 2023/04/20 CHK'D: GGA 2023/05/12 APPR: GGA 2023/05/12	DDR4 DIMM, 0.85MM PITCH 288CKTS, VERTICAL TH						
ANGULAR TOL	± 3.0 °		PRODUCT CUSTOMER DRAWING						
4 PLACES	±		DOCUMENT NUMBER						
3 PLACES	±		SD-78726-002						
2 PLACES	± 0.2		DOC TYPE						
1 PLACE	±		PSD						
0 PLACES	±	DOC PART							
DRAFT WHERE APPLICABLE MUST REMAIN WITHIN DIMENSIONS		THIRD ANGLE PROJECTION		DRAWING	SERIES	MATERIAL NUMBER	CUSTOMER	REVISION	SHEET NUMBER
				A3-SIZE	78726	SEE TABLE	GENERAL MARKET	A9	5 OF 6

CKT SIZE	ASSEMBLY PART NO.	HOUSING COLOR	LATCH COLOR	DIM "P"	RECOMMENDED PCB THICKNESS	PLATING OPTION		PRODUCT SPEC. NO.	PACKAGING SPEC. NO.
						TERMINAL	FORKLOCK		
288	78726-1045	BLACK	BLACK	2.40	1.57	0.38 MICROMETER (15 MICROINCH) MIN GOLD ON CONTACT	1 MICROMETER (40 MICROINCH) MIN TIN OVERALL (PRE-PLATED)	PS-78726-002	PK-78726-001
	78726-1012			2.67	1.57				
	78726-1013			3.18	2.36				
	78726-1032			3.50	3.00				
	78726-1046	BLACK	WHITE	2.40	1.57				
	78726-1033			3.50	3.00				
	78726-1059	WHITE	BLACK	2.10	1.57				
	78726-1047			2.40	1.57				
	78726-1048	WHITE	WHITE	2.40	1.57				
	78726-1018			2.67	1.57				
	78726-1035			3.50	3.00				
	78726-1049			2.40	1.57				
	78726-1020	BLUE	BLUE	2.67	1.57				
	78726-1021			3.18	2.36				
	78726-1036	BLUE	WHITE	3.50	3.00				
	78726-1050			2.40	1.57				
	78726-1037			3.50	3.00				
	78726-1072			3.50	3.00				
	78726-3012	BLACK	BLACK	2.67	1.57				
	78726-3032			3.50	3.00				
78726-3020	BLUE	BLUE	2.67	1.57					
78726-3036			3.50	3.00					
									787260003

THIS DRAWING CONTAINS INFORMATION THAT IS PROPRIETARY TO MOLEX ELECTRONIC TECHNOLOGIES, LLC AND SHOULD NOT BE USED WITHOUT WRITTEN PERMISSION

DIMENSION UNITS	SCALE	CURRENT REV DESC: REMOVED OBSOLETE PART NUMBER AS PER PCN#511698.	<b>molex</b>		
mm	NTS				
GENERAL TOLERANCES (UNLESS SPECIFIED)			DDR4 DIMM, 0.85MM PITCH 288CKTS, VERTICAL TH		
ANGULAR TOL	± 3.0 °	EC NO: 742551	PRODUCT CUSTOMER DRAWING		
4 PLACES	±	DRWN: SANTHN 2023/04/20	DOCUMENT NUMBER		
3 PLACES	±	CHK'D: GGA 2023/05/12	SD-78726-002		
2 PLACES	± 0.2	APPR: GGA 2023/05/12	DOC TYPE		
1 PLACE	±	INITIAL REVISION:	PSD		
0 PLACES	±	DRWN: EFLEE 2012/03/08	DOC PART		
DRAFT WHERE APPLICABLE MUST REMAIN WITHIN DIMENSIONS			REVISION		
THIRD ANGLE PROJECTION			A9		
DRAWING			SHEET NUMBER		
A3-SIZE			6 OF 6		
SERIES			MATERIAL NUMBER		
78726			SEE TABLE		
CUSTOMER			GENERAL MARKET		