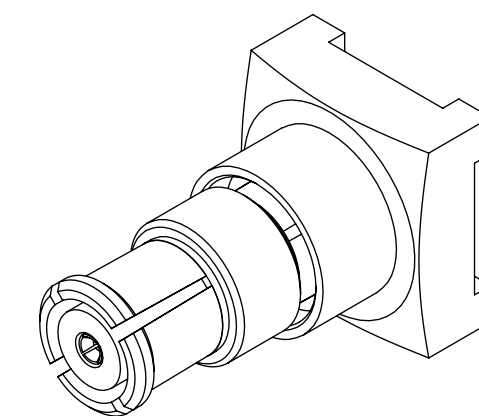
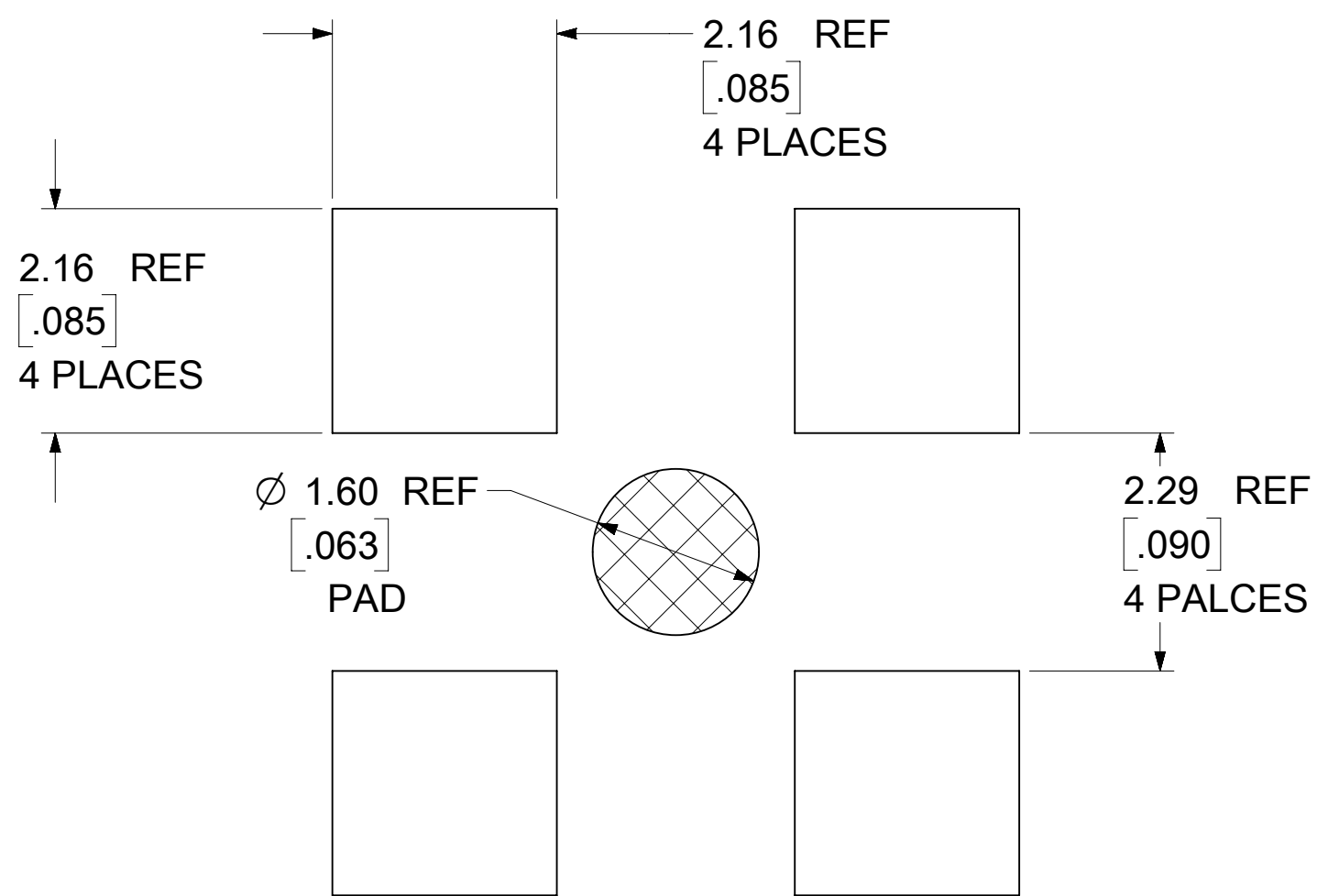
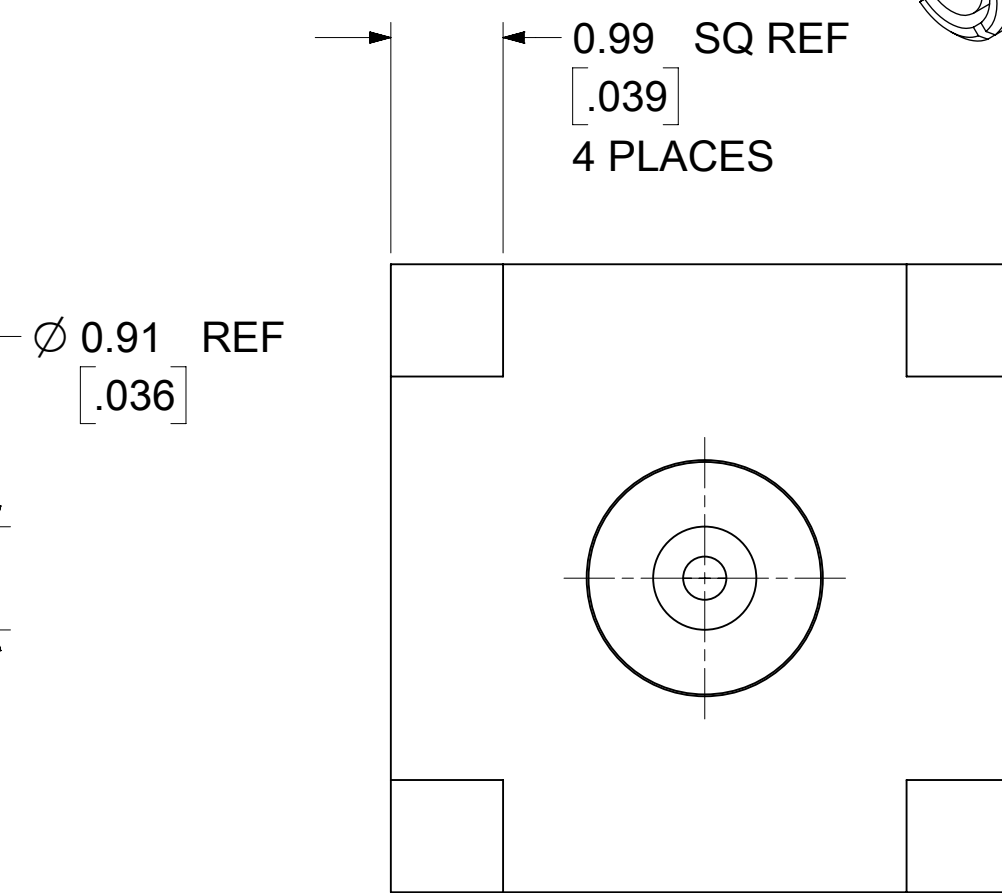
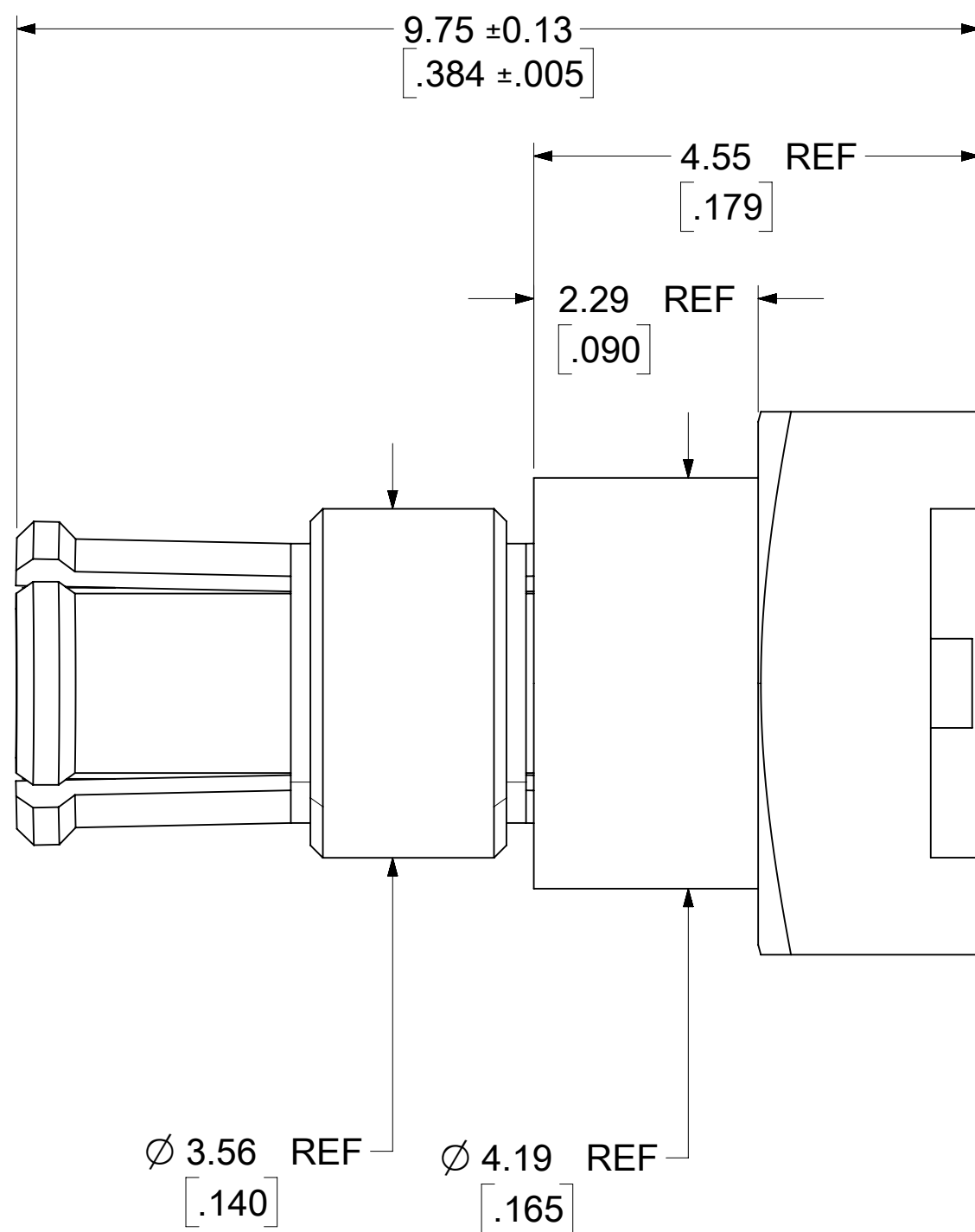
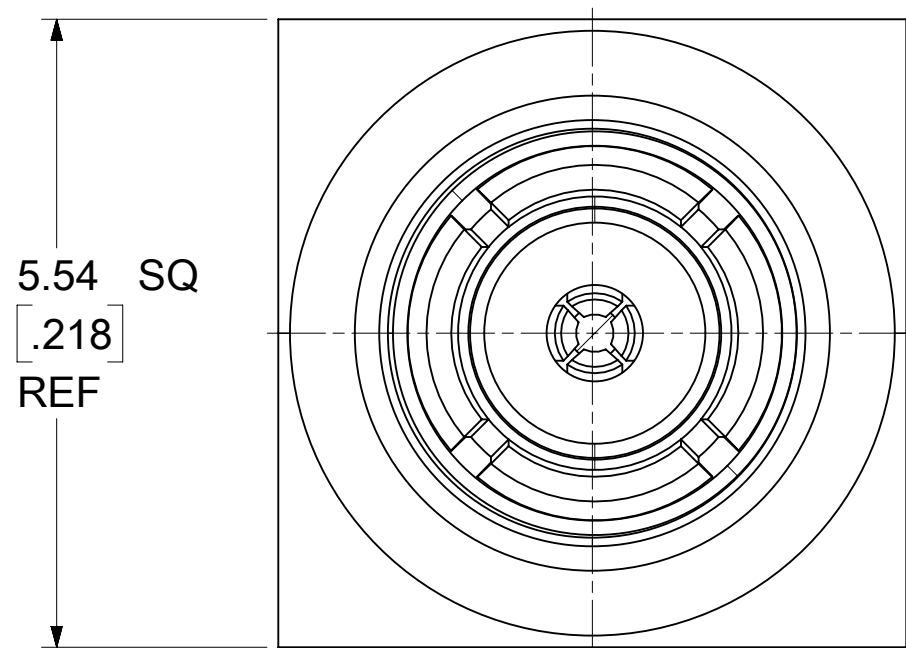


MATERIAL AND FINISHES:

SEE SHEETS 2 & 3 FOR PACKAGING INSTRUCTIONS)

SMP PLUG:  
SEE SD-73415-428

SMP JACK:  
SEE SD-73415-429



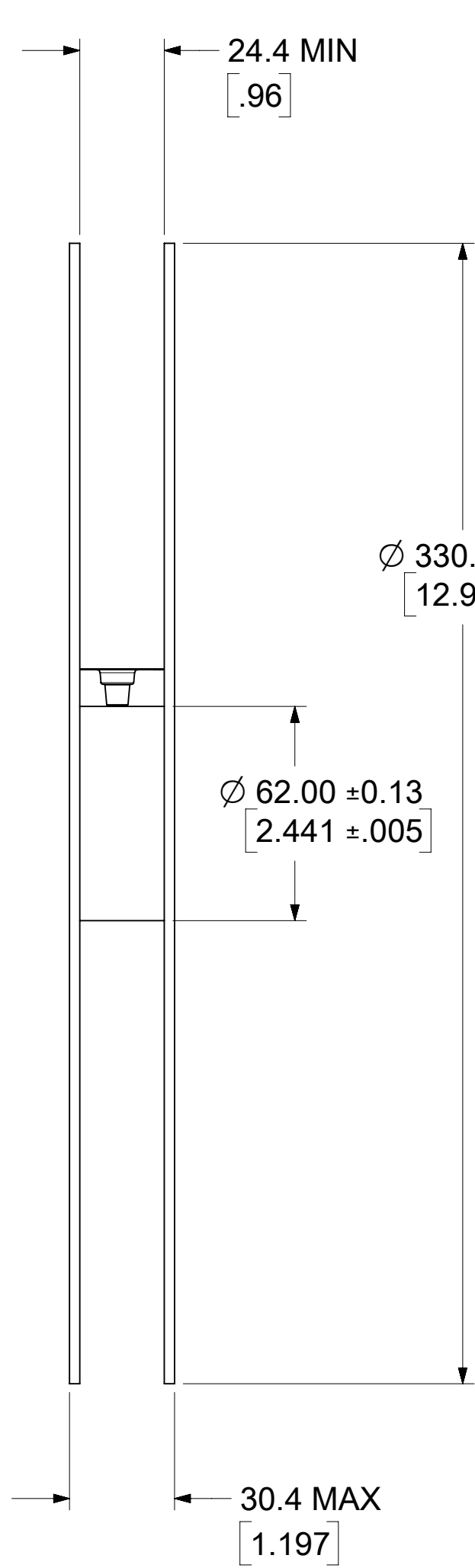
73415-4241	ONE PER BAG	895420470
73415-4240	TAPE & REEL	-----
PART NO.	PACKAGING	PACKING SPEC

PCB LAYOUT

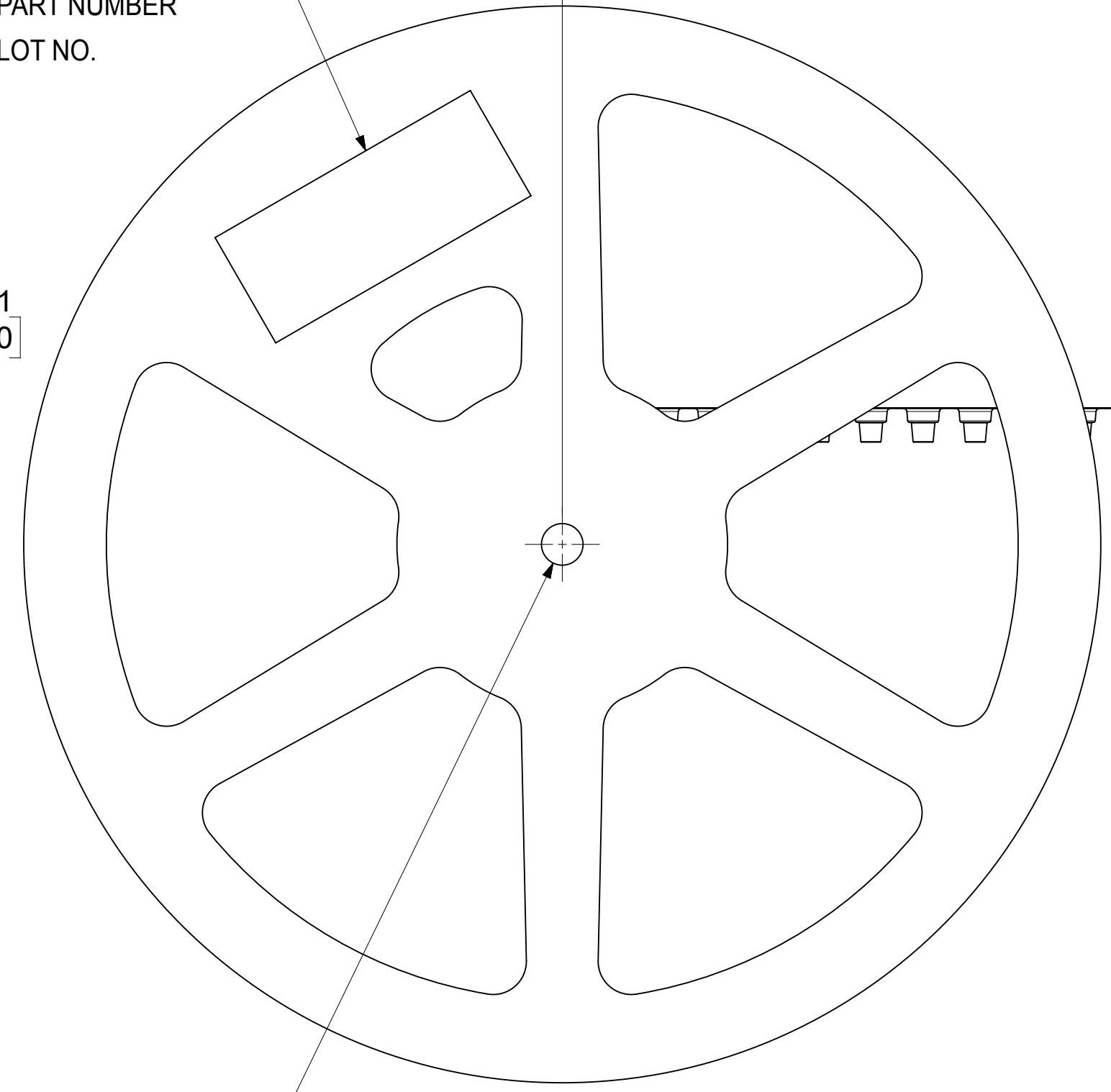
FUNCTIONAL SYMBOLS	THIS DRAWING CONTAINS INFORMATION THAT IS PROPRIETARY TO MOLEX ELECTRONIC TECHNOLOGIES, LLC AND SHOULD NOT BE USED WITHOUT WRITTEN PERMISSION									
	DIMENSION UNITS	SCALE	CURRENT REV DESC:							
$\frac{F}{A} = 0$	MM/INCH	NTS	EWR # 15321-E ADDED -4241 PART NO							
GENERAL TOLERANCES (UNLESS SPECIFIED)	ANGULAR TOL ± 2.0°									
	4 PLACES	±	EC NO: 718007 DRWN: JSU18 2022/08/10 CHK'D: YCHENG 2022/08/24 APPR: YCHENG 2022/08/24							
DIVISIONAL SYMBOLS	3 PLACES	±	INITIAL REVISION:							
	2 PLACES	± 0.25	DRWN: SSHAH 2007/11/16 APPR: JWIENER 2007/11/16							
1 PLACE	±	SD-73415-424								
0 PLACES	±	PSD 001 B3								
DRAFT WHERE APPLICABLE MUST REMAIN WITHIN DIMENSIONS		THIRD ANGLE PROJECTION	DRAWING	SERIES	MATERIAL NUMBER	CUSTOMER	SHEET NUMBER			
			C-SIZE	73415		GENERAL MARKET	1 OF 3			

DOCUMENT STATUS	P1	RELEASE DATE	2022/08/24	02:18:06
-----------------	----	--------------	------------	----------





LABEL:  
 - ORDER NO.  
 - QUANTITY  
 - PART NUMBER  
 - LOT NO.



80mm EMPTY UNITS  
MINIMUM

ORDER QUANTITY  
PACKED WITH 400  
COMPONENTS

250mm EMPTY UNITS  
MINIMUM

HANDLING DIRECTION →

9.00  
[.354]  
MIN

FUNCTIONAL SYMBOLS	THIS DRAWING CONTAINS INFORMATION THAT IS PROPRIETARY TO MOLEX ELECTRONIC TECHNOLOGIES, LLC AND SHOULD NOT BE USED WITHOUT WRITTEN PERMISSION										
	DIMENSION UNITS	SCALE	CURRENT REV DESC:								
FA = 0	MM/INCH	NTS	EWR # 15321-E ADDED -4241 PART NO								
DIVISIONAL SYMBOLS	GENERAL TOLERANCES (UNLESS SPECIFIED)										
	EC = 0	ANGULAR TOL ± 2.0°									
DIVISIONAL SYMBOLS	EP = 0	4 PLACES ±		EC NO: 718007		DRWN: JSU18		2022/08/10		SMP ADAPTER ASSEMBLY 50 OHMS, EWR1994 SMP-P/PCB	
	DIVISIONAL SYMBOLS	3 PLACES ±	CHK'D: YCHENG		2022/08/24		PRODUCT CUSTOMER DRAWING				
		2 PLACES ± 0.25	APPR: YCHENG		2022/08/24		DOCUMENT NUMBER		DOC TYPE	DOC PART	REVISION
		1 PLACE ±	INITIAL REVISION:		DRWN: SSHAH		2007/11/16		SD-73415-424		PSD
0 PLACES ±	APPR: JWIENER		2007/11/16		MATERIAL NUMBER		CUSTOMER		SHEET NUMBER		
DRAFT WHERE APPLICABLE MUST REMAIN WITHIN DIMENSIONS		THIRD ANGLE PROJECTION		DRAWING		SERIES		GENERAL MARKET		3 OF 3	

DOCUMENT STATUS	P1	RELEASE DATE	2022/08/24	02:18:06
-----------------	----	--------------	------------	----------