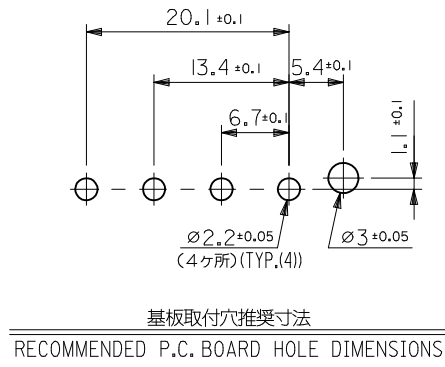
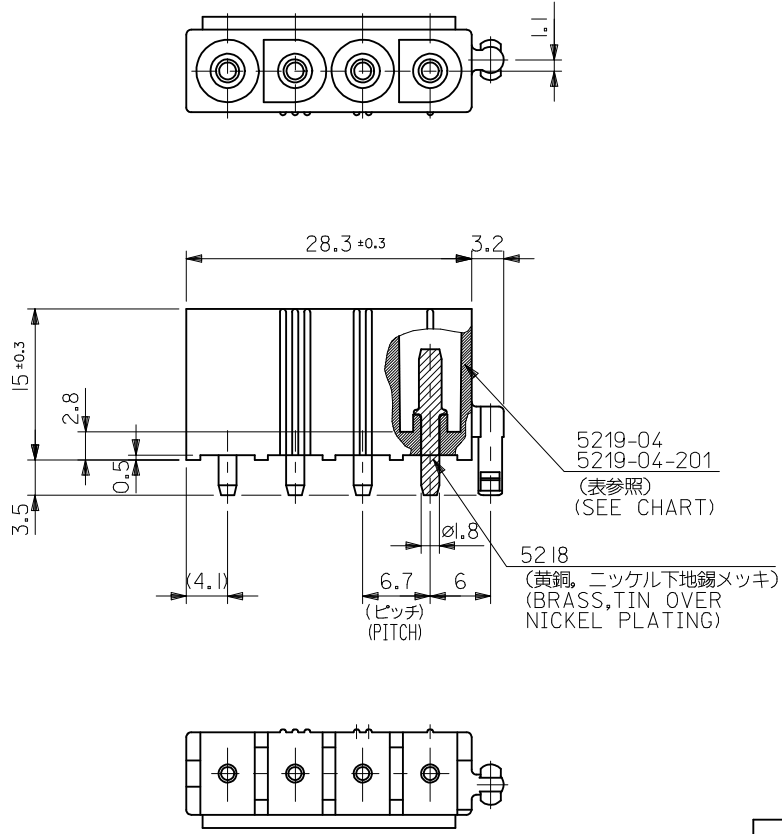


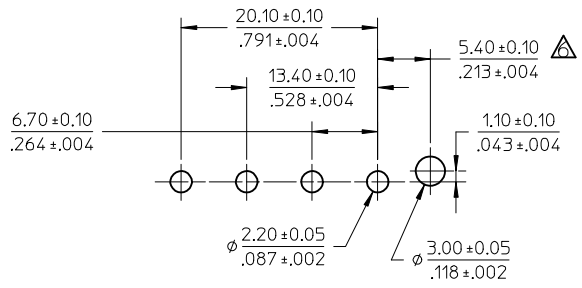
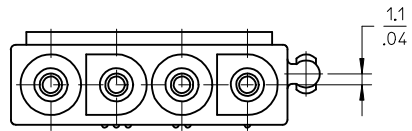
注記：  
 NOTES:  
 1. 適合リセプタクルハウジング: 3191-04R\*  
 TO BE MATED WITH RECEPTACLE HOUSING :  
 3191-04R\*



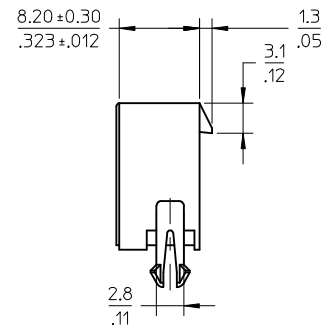
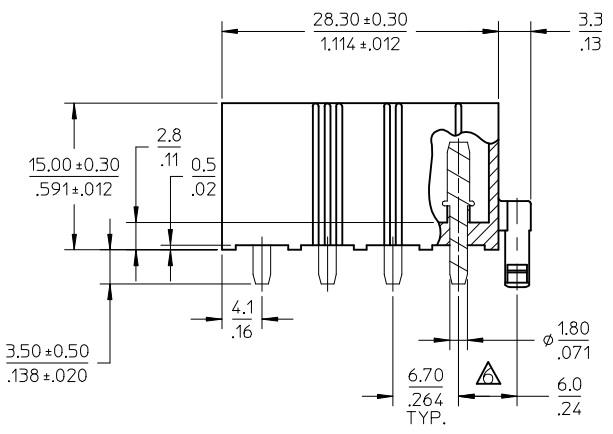
ENG. NO.	ORDER NO.	PIN STYLE	HSG. MATERIAL	PIN PLATING
5219-04A	15-31-1046	SOLID	94V-2 NYLON	TIN
5219-04B	15-31-3046	HOLLOW	94V-2 NYLON	TIN
5219-04A-201	39-28-7048	SOLID	94V-0 NYLON	TIN

ADD P/N 15-31-3046 EC NO: UCP2014-1950 DRWN: AELHAG 2013/12/16 CHKD: JBELL 2013/12/16 APPR: FSMITH 2013/12/19	GENERAL TOLERANCES (UNLESS SPECIFIED)		DIMENSION STYLE MM ONLY		SCALE 2:1	DESIGN UNITS METRIC	THIRD ANGLE PROJECTION
	10 UNDER	±0.2	DRAWN BY K. KOHAMA	DATE '00/05/29	TITLE NEW INTERNATIONAL CONN 4 POS. HEADER  MOLEX INCORPORATED		
	10 OVER 30 UNDER	±0.25	CHECKED BY M. FUKUSHIMA	DATE '00/05/29			
	30 OVER	±0.3	APPROVED BY M. FUKUSHIMA	DATE '00/05/29			
	ANGULAR ±3 °		MATERIAL NO. SEE CHART		DOCUMENT NO. SD-5219-003		SHEET NO. 1 OF 1
DRAFT WHERE APPLICABLE MUST REMAIN WITHIN DIMENSIONS		THIS DRAWING CONTAINS INFORMATION THAT IS PROPRIETARY TO MOLEX INCORPORATED AND SHOULD NOT BE USED WITHOUT WRITTEN PERMISSION					

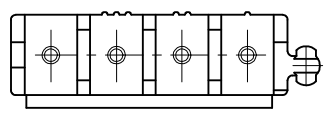
10	9	8	7	6	5	4	3	2	1
ENG. NO.	ORDER NO.	PIN STYLE	HSG. MATERIAL	PIN PLATING					
5219-04A	15-31-1046	SOLID	94V-2 NYLON	TIN					
5219-04B	15-31-3046	HOLLOW	94V-2 NYLON	TIN					



RECOMMENDED P.C.B. HOLE DIM.



- NOTES:
- MATERIAL:  
HOUSING: NYLON 6/6, UL94V-2, COLOR: NATURAL  
TERMINAL: BRASS
  - FINISH: 0.000003/(.0000001) MIN. TIN OVERALL OVER  
0.000001/(.00000004) MIN. NICKEL OVERALL
  - PRODUCT SPECIFICATION: NONE
  - PACKAGING: PK-5219-002
  - MATES WITH: 3191-04R SERIES
  - DIFFERENCE OF DIMENSION IS INTENTIONAL TO PREVENT PART RISING FROM P.C.B.
  - PARTS CONFORM TO CLASS 'B' REQUIREMENTS OF COSMETIC SPECIFICATION PS-45499-002.



CORRECT 2.8 DIM. EC NO: UCP2014-4764 DRWN: JDOX 2014/05/14 CHKD:MKIPPER 2014/05/14 APPR:FSMITH 2014/05/27	QUALITY SYMBOLS ▽=0 ▽=0 ▽=0	GENERAL TOLERANCES (UNLESS SPECIFIED)		DIMENSION STYLE	SCALE	DESIGN UNITS	THIRD ANGLE PROJECTION	
		mm	INCH	MM/IN	2:1	METRIC		
		4 PLACES	± ---	± ---	DRAWN BY	DATE	TITLE <b>NEW INTERNATIONAL CONN. HEADER AND ASSY</b>	
		3 PLACES	± ---	±.005	A.ASO	1979/04/08		
2 PLACES	± 0.13	±.010	CHECKED BY	DATE				
1 PLACE	± 0.25	± ---	MENOMOTO	1979/04/10	<b>molex</b>			
0 PLACE	±	±	APPROVED BY	DATE				
ANGULAR ± 1 °		MATERIAL NO.		DOCUMENT NO.		SHEET NO.		
DRAFT WHERE APPLICABLE MUST REMAIN WITHIN DIMENSIONS		SEE CHART		SD-5219-04A*		1 OF 1		
THIS DRAWING CONTAINS INFORMATION THAT IS PROPRIETARY TO MOLEX INCORPORATED AND SHOULD NOT BE USED WITHOUT WRITTEN PERMISSION								