

REVISION A  
REVISED AND  
REDRAWN ON  
CAD/CAM  
1/2/92 HA

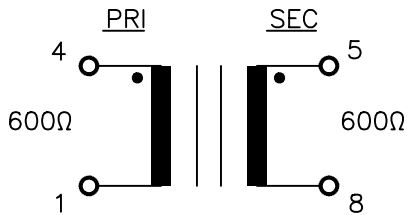
REVISION B  
TEMECULA  
WAS CARSON  
12/21/92 TS

REVISION C  
UPDATED FORMAT  
4/11/94 TS

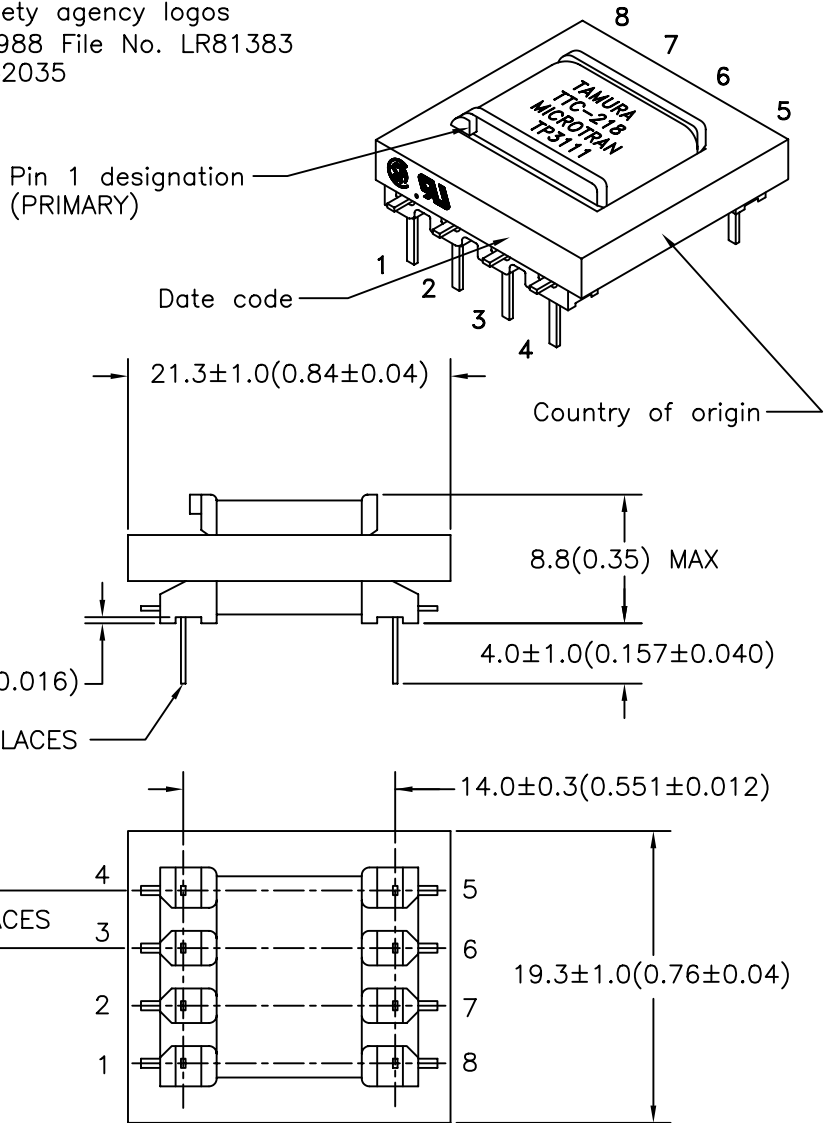
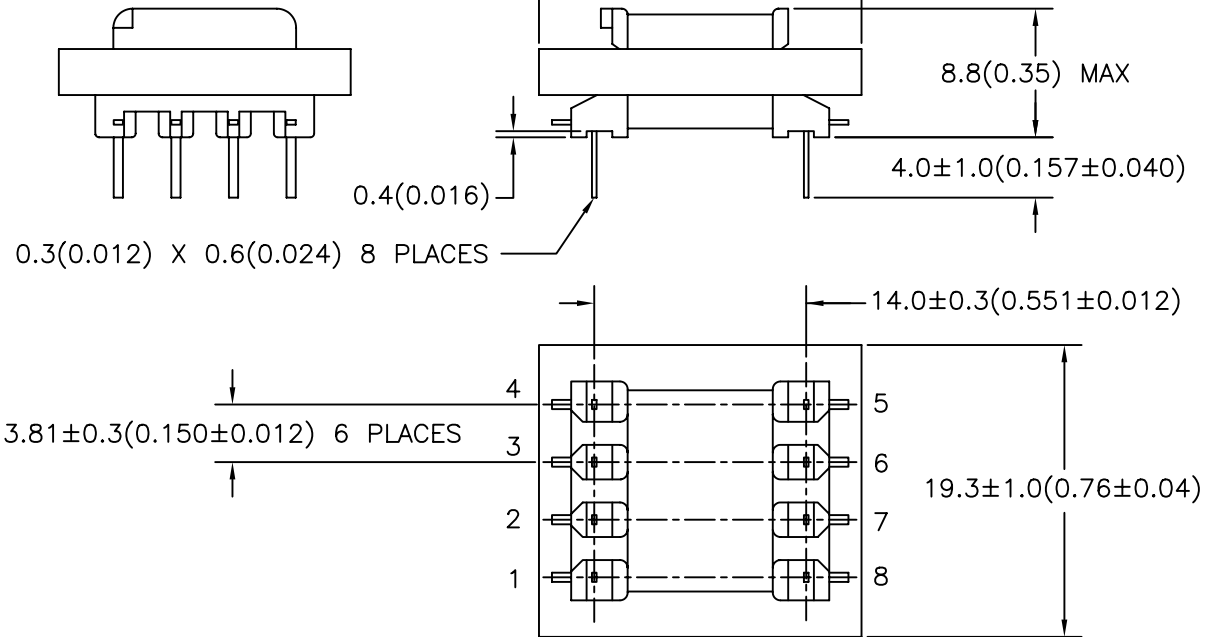
REVISION D  
ADDED SAFETY  
ADDED TP3111  
9/15/95 TS

REVISION E  
NEW  
FORMAT  
07/01/98

- A. Electrical Specifications (@ 25° C)
- Pri Source Impedance; 600Ω
  - Sec Load Impedance; 600Ω
  - Pri DC Current; 50mA MAX
  - Operating Level; -45dBm to +7dBm
  - Insertion Loss;
    - 1.8dB MAX @ 2KHz, 0dBm, DC50mA
  - Frequency Response (relative to 2KHz)
    - 0, -1.8dB @ 660Hz to 800Hz, 0dBm, DC50mA
    - +0.5, -1.5dB @ 800Hz to 3.5KHz, 0dBm, DC50mA
  - Longitudinal Balance; 60dB MIN @ 200Hz to 4KHz
  - DC Resistance;
    - (1-4) = 49Ω ±15%
    - (5-8) = 76Ω ±15%
  - Turns Ratio;
    - (1-4) : (5-8) = 1 : 1.00±2%
  - Dielectric Strength;
    - 1500Vrms 1 minute @ Pri to Sec, Pri to Core
    - 1000Vrms 1 minute @ Sec to Core
- B. Marking; TTC-218, TAMURA, TP3111, MICROTRAN, date code country of origin and safety agency logos
- C. Safety; CSA-22.2 No. 66-M1988 File No. LR81383  
UL 1863 File No. E142035
- D. Schematic Diagram



E. Mechanical Specifications



PREPARED BY:

J. Peterson

ENGINEER:

T. Shiozawa

QUALITY CONTROL:

D. Kelley

APPROVED:

D. Kelley

DWG CONTROL NO.  
P-A1-10228  
ACAD\TTC\A1102281.DWG

REV  
**E**

TELECOMMUNICATION COUPLING  
TRANSFORMER

**TAMURA CORPORATION OF AMERICA**

43352 BUSINESS PARK DRIVE, TEMECULA, CA. 92590-6624  
(909) 699-1270 FAX 9096769482

**TTC-218**

MODEL SPECIFICATION

DIM: mm(In) SCL: NONE SH: 1 OF 1

PROPRIETARY NOTICE: THIS DRAWING PRINT OR DOCUMENT AND SUBJECT MATTER DISCLOSED HEREIN ARE PROPRIETARY ITEMS TO WHICH TAMURA RETAINS THE EXCLUSIVE RIGHT OF DISSEMINATION, REPRODUCTION, MANUFACTURE AND SALE. THIS DRAWING, PRINT OR DOCUMENT IS SUBMITTED IN CONFIDENCE FOR CONSIDERATION BY THE RECIPIENT ALONE UNLESS PERMISSION FOR FURTHER DISCLOSURE IS EXPRESSLY GRANTED IN WRITING.