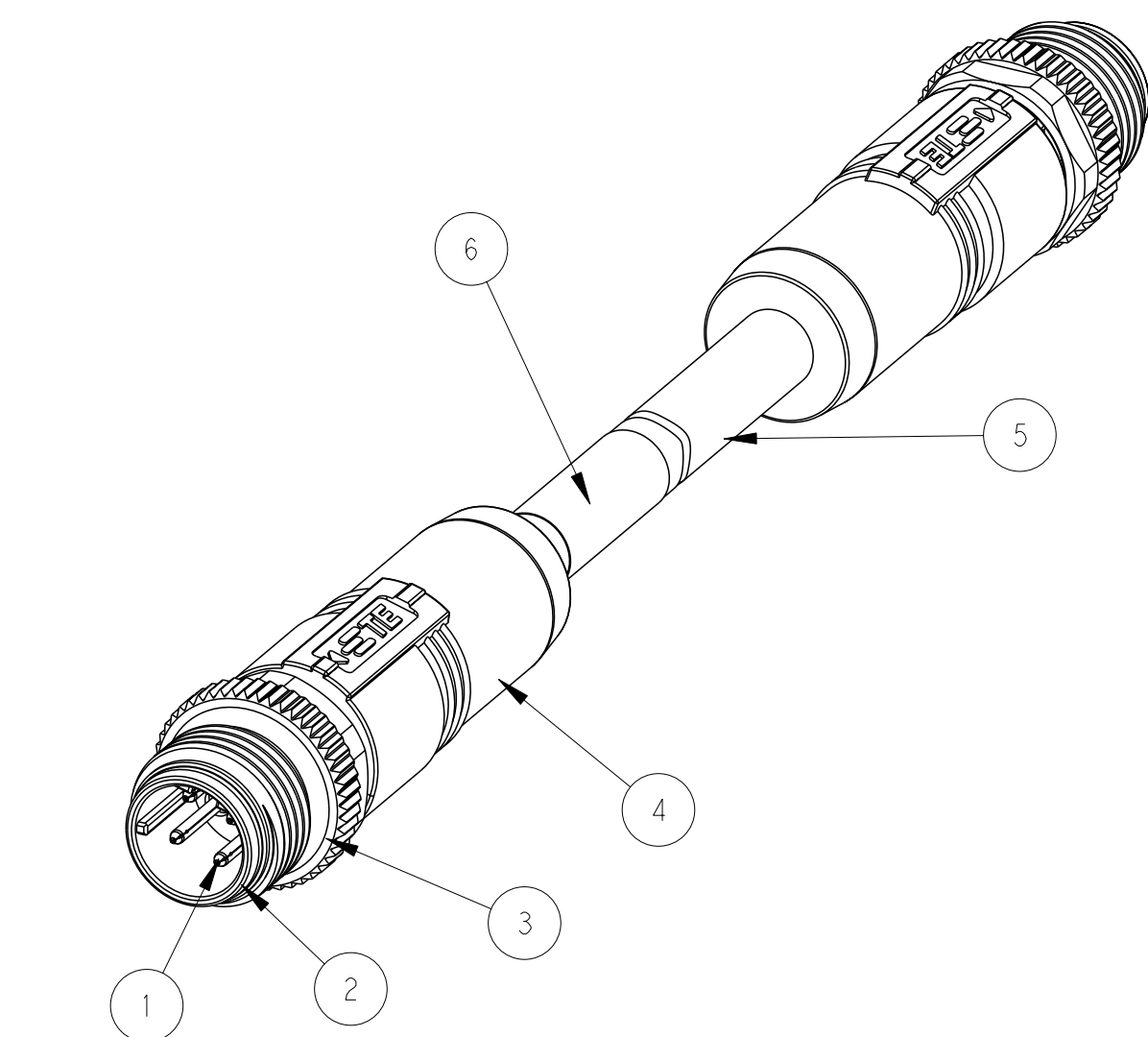
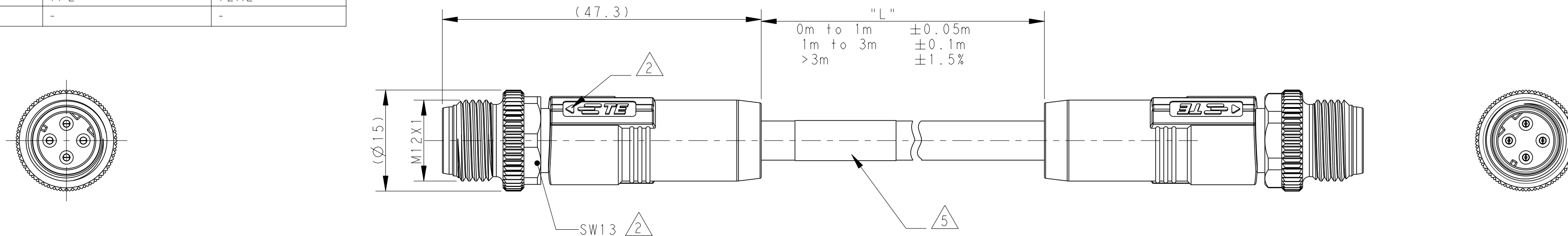


THIS DRAWING IS UNPUBLISHED. RELEASED FOR PUBLICATION 20
 © COPYRIGHT 20 BY - ALL RIGHTS RESERVED.

ITEM	DESCRIPTION	MATERIAL	OTHERS
1	MALE CONTACT	COPPER ALLOY	GOLD PLATED
2	HOUSING	NYLON	BLACK
3	COUPLING NUT	COPPER ALLOY	NICKEL PLATED
4	OVER-MOLDING	TPU	BLACK
5	CABLE	TPE	TEAL
6	LABEL	-	-

REVISIONS				
P	LTR	DESCRIPTION	DATE	APVD
	A	INITIAL RELEASE	10MAR2021	AZ CW



NOTE:

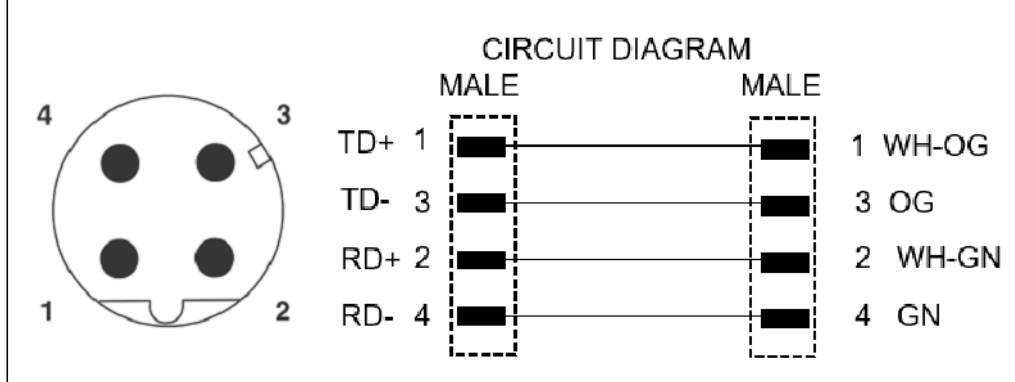
- ① CODE POSITION INDICATOR
- ② RECOMMENDED TORQUE 0.6 Nm
- ③ -** : CABLE LENGTH, FOR EXAMPLE: -0.5M
- ④ CABLE ASSEMBLY TO BE PACKAGED IN POLYBAGS
- ⑤ LABEL CONTAINS: PN, DATE CODE...
- ⑥ -XXX: FOR CABLE LENGTH, REFER TO LENGTH "L"

注释:

- ① CODE位置指示
- ② 推荐扭矩0.6 Nm
- ③ -** : 线缆长度, 例如: -0.5M
- ④ 线缆组件塑料袋包装
- ⑤ 标签包含: 产品编号, 日期代码...
- ⑥ -XXX: 线缆长度, 参照长度"L"

WIRES: 2X2X24AWG WIRE COLOR: GREEN X WHITE/GREEN ORANGE X WHITE/ORANGE OD: APPROX. 6.1MM TEMPERATURE RATING: 80°C UL OPERATING TEMP RATING: -40°C To +80°C C-TRACK: 35 MILLION CYCLE, 4" RADIUS TORSION: 3 MILLION CYCLE (+/-270°)	TYPICAL LENGTH: -001: 0.5M -002: 1.0M -020: 2.0M -005: 5.0M -007: 10.0M -150: 15.0M -200: 20.0M -250: 25.0M -300: 30.0M	TEAL	TPE	M12D4-MS-MS-TPE USH-***③	4	TAD2473A201-XXX⑥
CUSTOMIZATION RULES: -003: 1.5M -004: 3.0M -006: 7.0M -99X: 0.XM (<1.0M) (-993: 0.3M) -XXX: XX.XM (>1.0M) (-155: 15.5M)						
CABLE CHARACTERISTIC	LENGTH "L"	JACKET COLOR	JACKET MATERIAL	TYPE	POS.	TE PN

PIN ARRANGEMENT	
D-CODE	
PIN 1 TD+	WHITE-ORANGE 白-橙
PIN 2 RD+	WHITE-GREEN 白-绿
PIN 3 TD-	ORANGE 橙
PIN 4 RD-	GREEN 绿



THIS DRAWING IS A CONTROLLED DOCUMENT.

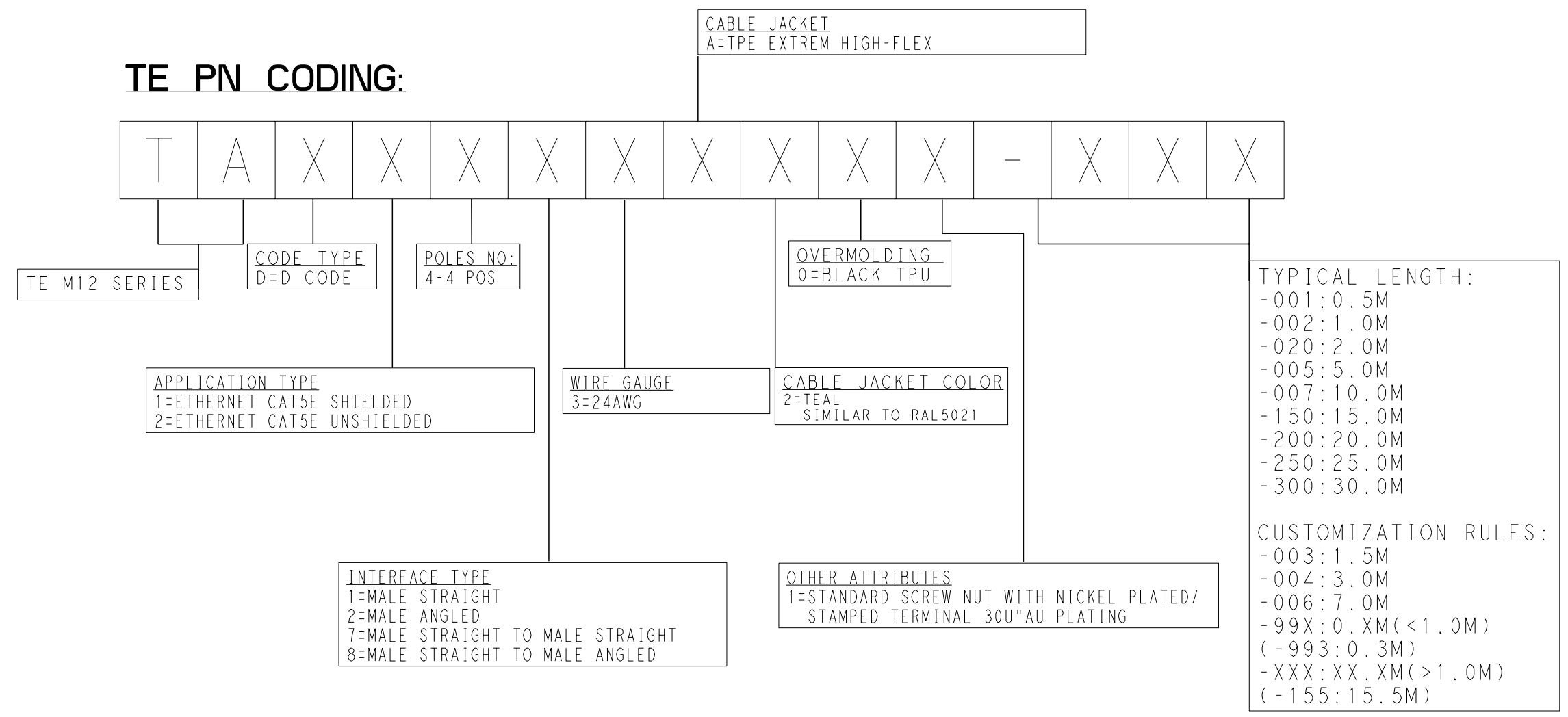
DIMENSIONS: mm	TOLERANCES UNLESS OTHERWISE SPECIFIED:	DWN ALEX ZHANG 14 JAN 2021	TE Connectivity
	0 PLC ±	CHK HART HE 14 JAN 2021	
	1 PLC ±	APVD CHRIS WANG 14 JAN 2021	
	2 PLC ±	NAME M12 D CODE CABLE ASSY, UNSHIELDED 4P, MS TO MS	
MATERIAL	FINISH	PRODUCT SPEC 108-106140	SIZE A2
		APPLICATION SPEC 114-137144	CAGE CODE -
		WEIGHT -	DRAWING NO. C-TAD2473A201XXX
		CUSTOMER DRAWING	RESTRICTED TO
		SCALE 2:1	SHEET 1 OF 2
			REV A


THIS DRAWING IS UNPUBLISHED. RELEASED FOR PUBLICATION 20
 © COPYRIGHT 20 BY - ALL RIGHTS RESERVED.

REVISIONS				
P	LTR	DESCRIPTION	DATE	APVD
-	-	SEE SHEET 1	-	-

TECHNICAL DATA	
RATED VOLTAGE	250V 30V(UL)
RATED CURRENT	4A 1.5A(UL)
POLLUTION DEGREE	3
OVERVOLTAGE CATEGORY	II
MATERIAL GROUP	II
DEGREE OF PROTECTION	IP67

TE PN CODING:



THIS DRAWING IS A CONTROLLED DOCUMENT.		DWN ALEX ZHANG 14 JAN 2021	 TE Connectivity
DIMENSIONS: mm		CHK HART HE 14 JAN 2021	
TOLERANCES UNLESS OTHERWISE SPECIFIED: 0 PLC ± 1 PLC ± 2 PLC ± 3 PLC ± 4 PLC ± ANGLES ± FINISH		APVD CHRIS WANG 14 JAN 2021	NAME M12 D CODE CABLE ASSY, UNSHIELDED 4P, MS TO MS
MATERIAL - -		PRODUCT SPEC 108-106140	SIZE A2
		APPLICATION SPEC 114-137144	CAGE CODE -
		WEIGHT -	DRAWING NO C-TAD2473A201XXX
		CUSTOMER DRAWING	RESTRICTED TO A
		SCALE 2:1	SHEET 2 OF 2
			REV A