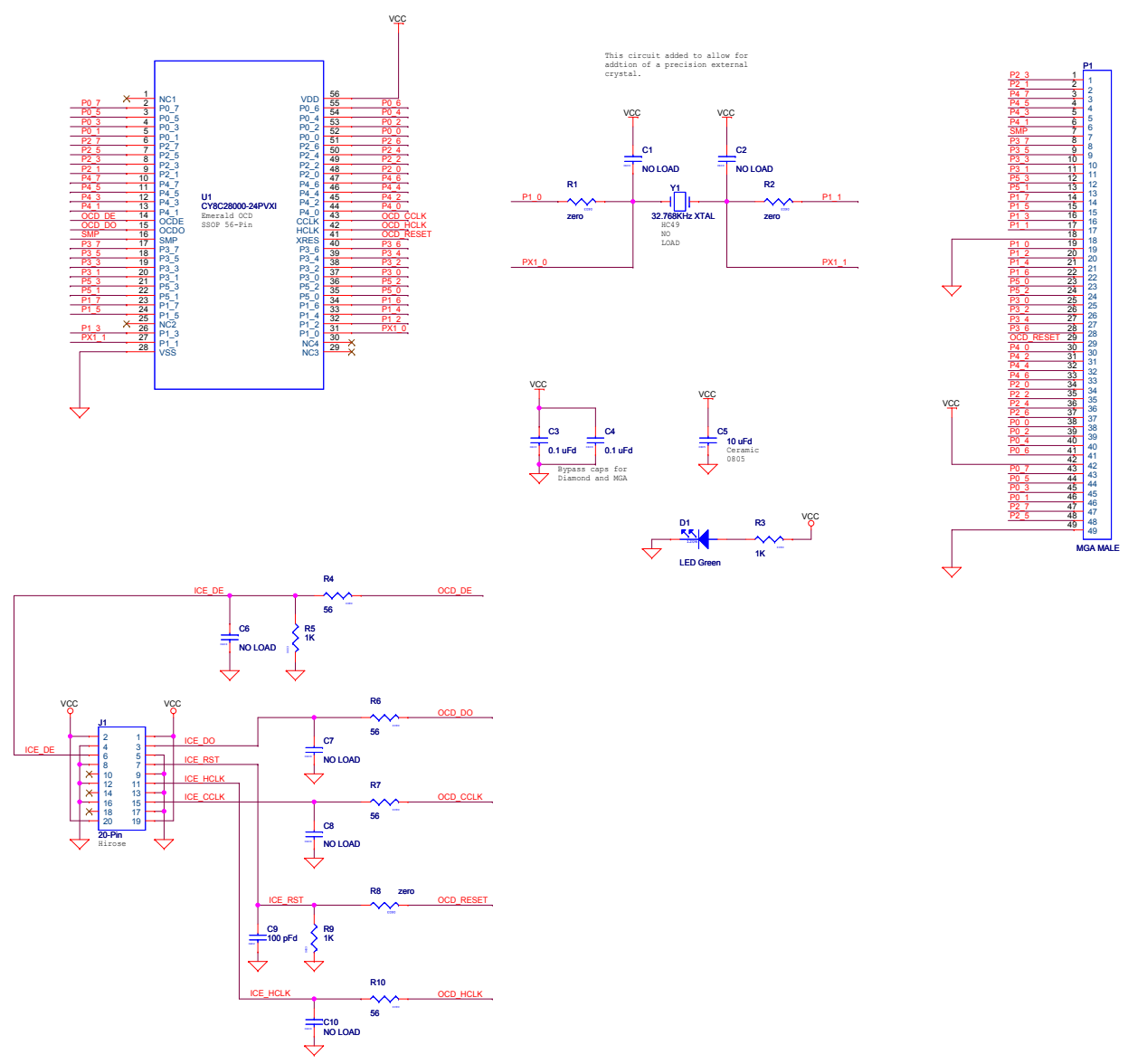


Revision History

Rev 0.1 Original
 Rev 0.2 4/12/06 S.Delano - MGA was J1, Hirose 20 pin was J2, PCB # was PDC-9313 **

Emerald POD Schematic (48QFN)



P1	
1	P2_3
2	P2_1
3	P4_7
4	P4_5
5	P4_3
6	P4_1
7	SMP
8	P3_7
9	P3_5
10	P3_3
11	P3_1
12	P5_3
13	P5_1
14	D1_7
15	D1_5
16	P1_3
17	P1_1
18	P1_0
19	P1_2
20	P1_4
21	P1_6
22	P5_0
23	P5_2
24	P5_4
25	P3_0
26	P3_2
27	P3_4
28	P3_6
29	OCD_RESET
30	OCD_CCLK
31	P4_2
32	P4_4
33	P2_0
34	P2_2
35	P2_4
36	P2_6
37	P2_8
38	P0_0
39	P0_2
40	P0_4
41	P0_6
42	P0_8
43	P0_10
44	P0_12
45	P0_14
46	P0_16
47	P2_7
48	P2_5
49	P2_3

PCB: PDCR-9313 **
 PCA: 121-31301 **

CYPRESS SEMICONDUCTOR © 2005		
Title	Emerald 48QFN POD	
Size	Document Number	Rev
C	REF-15084	**
Date:	Friday, August 21, 2009	Sheet 1 of 1