



Data Sheet

AI-1224-TWT-5V-R

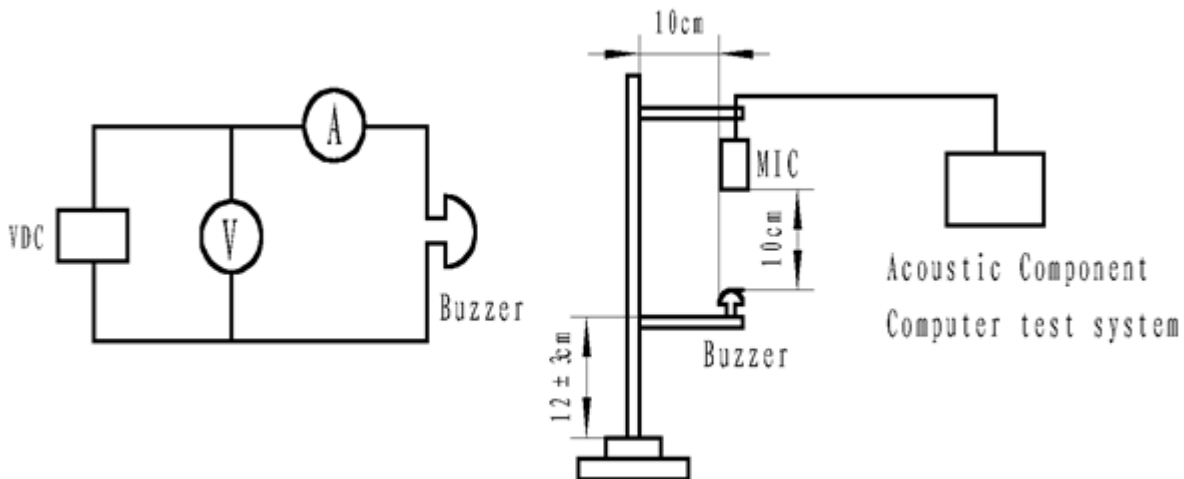
Features:

- Small 12mm diameter X 7.5mm height
- Minimum 85 dB output at 10cm
- Weighs 1.8 grams

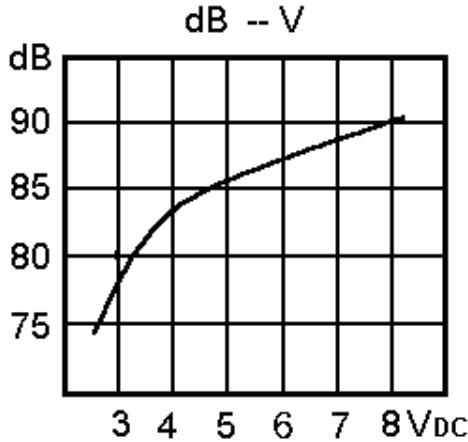
Indicator Specifications

| Parameters | Values | Units |
|-------------------------------|--------------------------|--|
| Rated Voltage | 5 | VDC |
| Operating Voltage Range | 3 ~ 8 | VDC |
| Current Draw at Rated Voltage | ≤30 | mA |
| Minimum SPL @ 10cm | ≥85 | dBA |
| Resonant Frequency | 2.4±0.3 | kHz |
| Housing Material | PBT | - |
| Weight | 1.8 | Grams |
| Acceptable Soldering Methods | Hand Solder, Wave Solder | See page 3 for wave solder information |
| Environmental Compliances | RoHS | - |
| Storage Temperature | -30 ~ +80 | °C |
| Operating Temperature | -20 ~ +70 | °C |

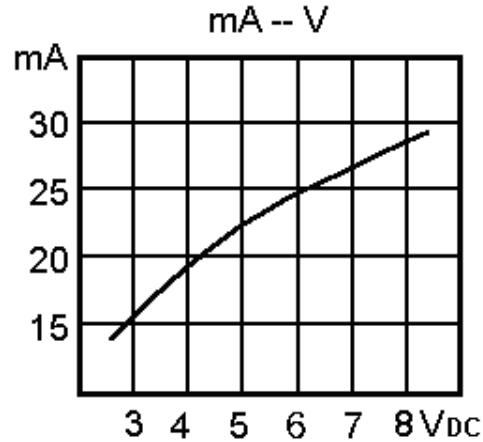
Measurement Method (5 VDC, 2.4 kHz, SPL meter spaced at 10cm)



Typical SPL vs Input Voltage



Typical Current Draw vs Input Voltage

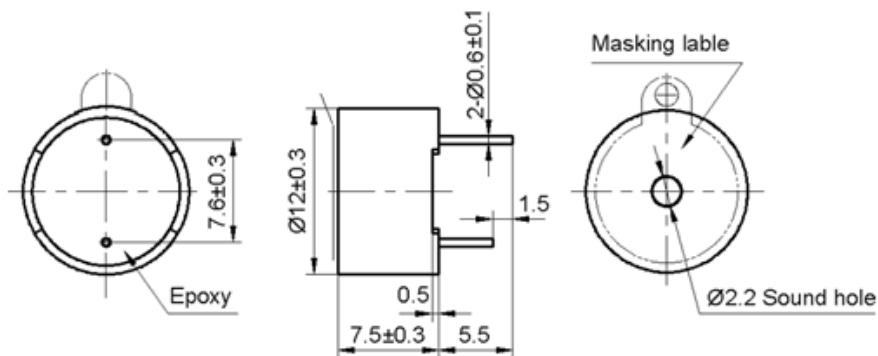


Reliability Testing

| Type of Test | Test Specifications |
|---------------------------|---|
| High Temperature Test | +80±2°C, 96HRS |
| Low Temperature Test | -30±2°C, 96HRS |
| Humidity Test | 40±2°C, 93% (+2/-3%) RH, 96HRS |
| Temperature Cycle Testing | 5 cycles with 1 cycle consisting of: -30±2°C, 30 minutes Room temp., 15 minutes +80±2°C, 30 minutes Room temp., 15 minutes |
| Vibration Test | Make the test for the directions of X, Y, and Z (total of 0.5 hours). To-and-fro sweep time (from 10 to 55 Hz and then 55 to 10) under single amplitude of 1.0mm in 1 minute. |
| Drop Test | Drop 3 times from a height of 70cm onto the surface of a 10mm thick wooden board. |

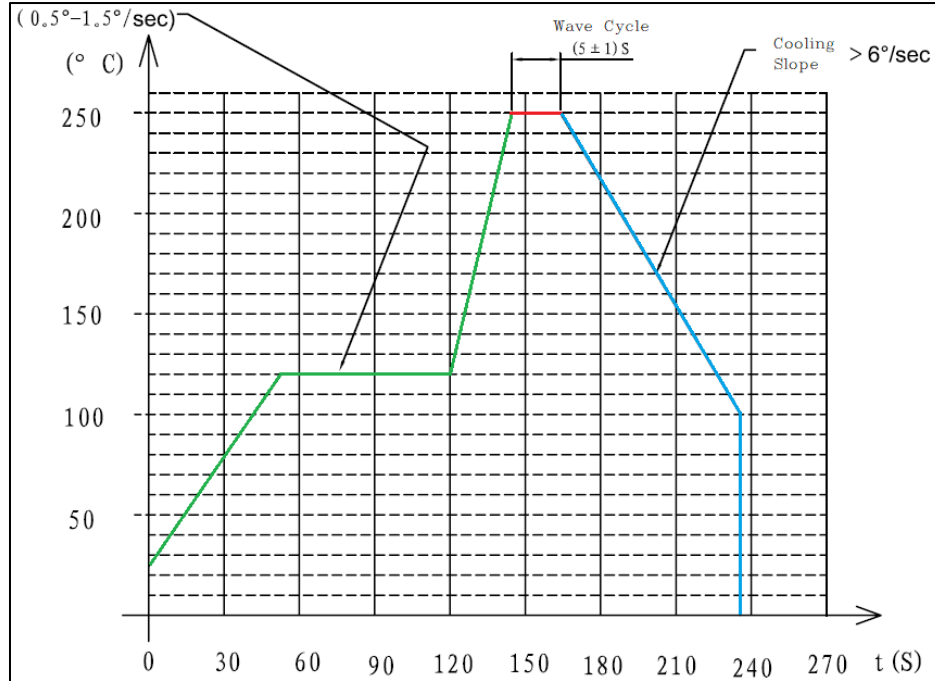
All specifications must be satisfied after the test.

Dimensions (Units: mm)

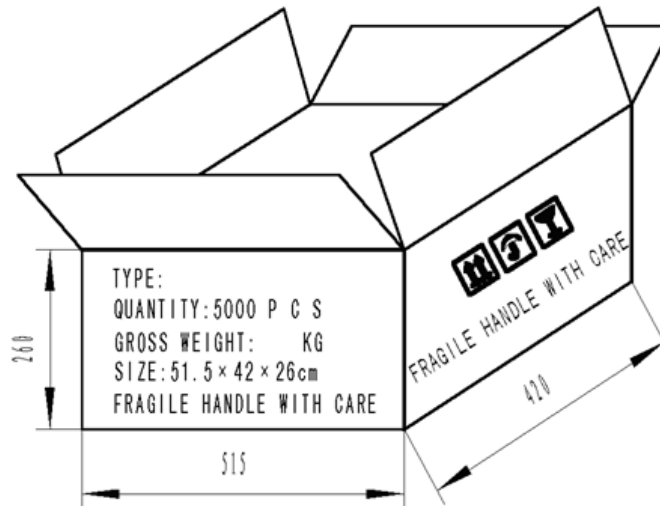


Tolerance: ± 0.5mm Except Specified

Recommended Wave Solder Profile



Packaging



NOTES:

- 1.100 PCS per box
- 2.Total 50 boxes per carton
- 3.Total 5000 PCS carton
- 4.Volume:51.5 × 42 × 26cm

Specifications Revisions

| Revision | Description | Date |
|-----------------|---------------------------|-------------|
| - | Released from Engineering | 3/18/2020 |

Note:

1. Unless otherwise specified:
 - A. All dimensions are in millimeters.
 - B. Default tolerances are $\pm 0.5\text{mm}$ and angles are $\pm 3^\circ$.
2. Specifications subject to change or withdrawal without notice.