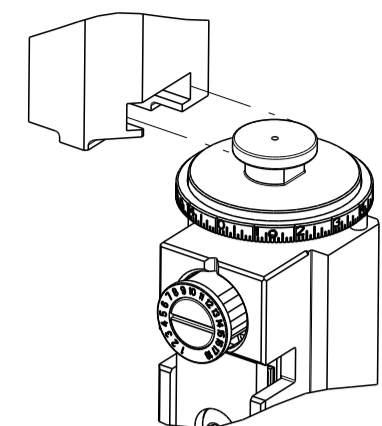


PART NUMBER	REVISION	DESCRIPTION	FEED TYPE
2150195-2	B	FINE CRIMP HEIGHT ADJUST	PNEUMATIC
7-2150195-2	B	PNEUMATIC AND CRIMP TOOLING KIT	PNEUMATIC
7-2150195-7	A	CRIMP TOOLING KIT	-

ATLANTIC VERSION TERMINATOR INTERFACE ADAPTER



APPLICATOR DATA		
CRIMP	SIZE	TYPE
WIRE	2.79 mm [.110]	F
INSUL	3.56 mm [.140]	OV
APPLICATOR INSTRUCTIONS 408-35043		

TERMINAL DATA: TE TERMINAL TE CRIMP SPECIFICATION			
TERMINAL NAME: 6.3 FASTIN-FASTON TAB			
WIRE STRIP LENGTH		INSULATION DIAMETER RANGE	
4.80-5.60 mm [.189-.220 IN]		Ø2.10-3.10 mm [.083-.122 IN]	
TERMINAL APPLICATION SPECIFICATION	114-18022	-	-
TERMINALS APPLIED			
TE TERMINAL	TE TERMINAL	TE TERMINAL	TE TERMINAL
928962-1	928962-5	929902-1	929902-5
928962-2	928962-6	929902-2	929902-6
928962-3	928962-7	929902-3	
928962-4	928962-8	929902-4	

TERMINAL DATA: TE TERMINAL TE CRIMP SPECIFICATION			
TERMINAL NAME: FASTIN-FASTON .250 TAB			
WIRE STRIP LENGTH		INSULATION DIAMETER RANGE	
4.80-5.60 mm [.189-.220 IN]		Ø2.10-2.90 mm [.083-.114 IN]	
TERMINAL APPLICATION SPECIFICATION	114-18022	-	-
TERMINALS APPLIED			
TE TERMINAL	TE TERMINAL	TE TERMINAL	TE TERMINAL
444152-1	444152-3	444152-7	
444152-2	444152-4	444152-8	

WIRE SIZE	CRIMP HEIGHT mm [INCH]	CRIMP HEIGHT REFERENCE SETTING
2.50mm2	1.95+/-0.05 [.077+/-0.002]	6.0
2.00mm2	1.77+/-0.05 [.070+/-0.002]	8.2
1.50mm2	1.65+/-0.05 [.065+/-0.002]	9.5

WIRE SIZE	CRIMP HEIGHT mm [INCH]	CRIMP HEIGHT REFERENCE SETTING
2.50mm2	1.95+/-0.05 [.077+/-0.002]	6.0
2.00mm2	1.77+/-0.05 [.070+/-0.002]	8.2
1.50mm2	1.65+/-0.05 [.065+/-0.002]	9.5

- RECOMMENDED SPARE PARTS
- REFER TO SUPPLIED INSTRUCTION SHEET FOR CLEANING, LUBRICATION AND STORAGE OF APPLICATOR.
- APPLY PART NUMBER 1-23419-5 LOCTITE TO THREADS OF ITEMS 180. APPLY PART NUMBER 2-23419-6 LOCTITE TO THREADS OF ITEM 242.
- CRIMP HEIGHT REFERENCE SETTING WAS THE SETTING USED WHEN THE APPLICATOR WAS QUALIFIED AT THE FACTORY. ADJUSTMENT MAY BE NECESSARY WHEN RUNNING APPLICATOR IN THE FIELD.
- 5. UNLESS SPECIFIED OTHERWISE TORQUE VALUES SHALL BE USED PER DOCUMENT, 101-35000.
- TERMINAL PITCH IS NOT COMPATIBLE WITH MECHANICAL FEED.
- TERMINAL LUBRICANT IS RECOMMENDED.

***WARNING**
ON INSTALLATION, SET WIRE DISC TO CRIMP HEIGHT REFERENCE SETTING FOR LARGEST WIRE SIZE. CRIMP HEIGHT REFERENCE SETTINGS GREATER THAN THE VALUE SHOWN MAY CAUSE DAMAGE TO THE CRIMP TOOLING, REFER TO THE INSTRUCTION SHEET FOR PROPER SETUP AND ADJUSTMENTS.

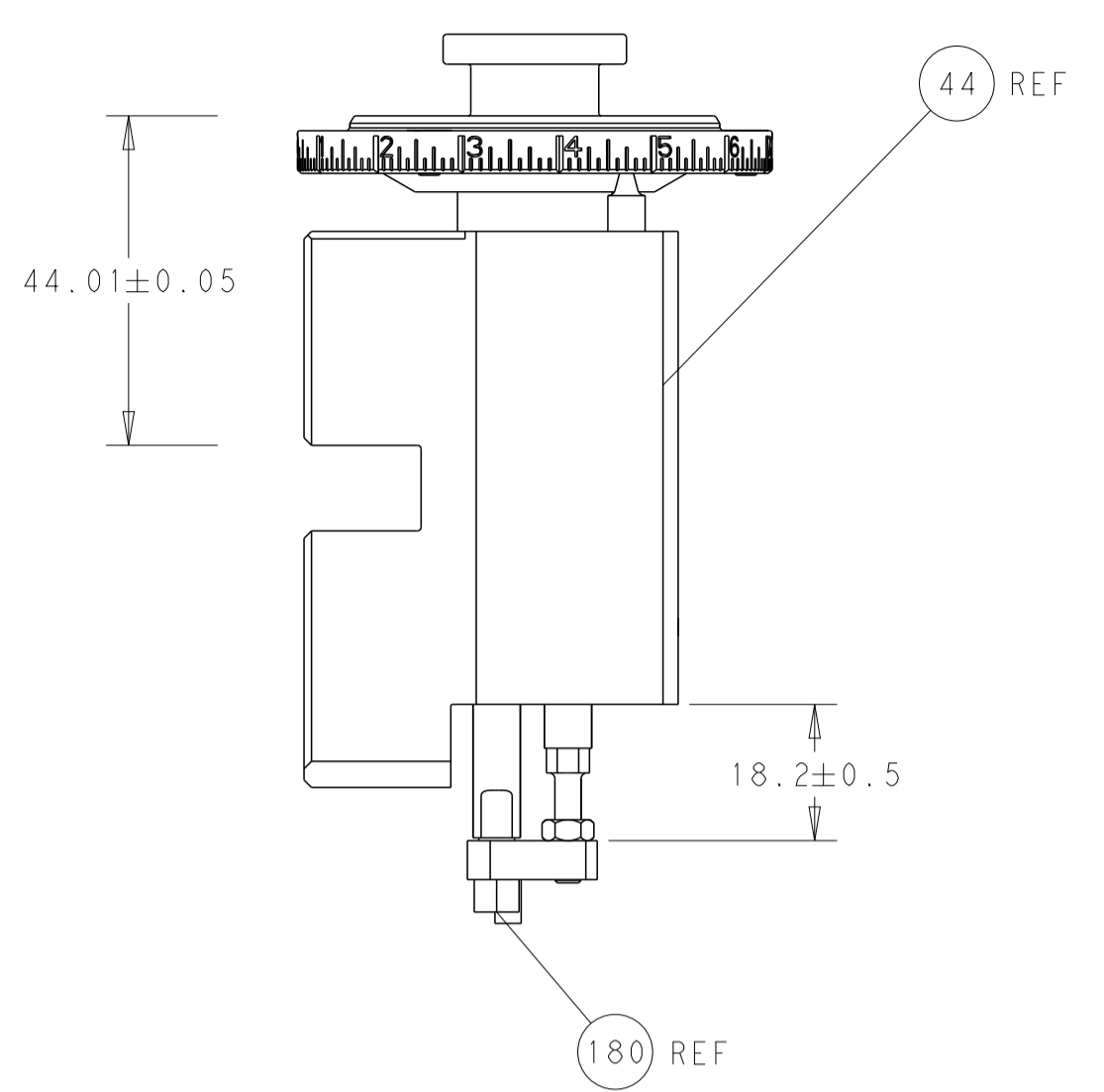
LOC	DIST	REVISIONS					
A	66	P	LTH	DESCRIPTION	DATE	DWN	APVD
		A		RELEASED	17OCT2014	KH	UG
		A1		ECR-16-005314	13APR2016	RS	LZ
		B		ECR-21-110904	19AUG2021	JAH	RK
		B1		ECR-21-111197	23AUG2021	JAH	TE

-	1	1	2119641-1	FEED CAM, AIR FEED	248
-	1	1	2119082-7	CAM, SNAIL, INSULATION ADJUSTMENT	244
-	1	1	2079764-1	WASHER, WAVE SPRING, CREST-TO-CREST	243
	-	1	2119083-1	RETAINER, INSULATION DIAL	242
-	1	1	2844940-4	AIR FEED MODULE	238
	-	1	1752354-2	STANDOFF, HOLD-DOWN	180
-	1	1	6-993111-6	PIN, SLOTTED SPRING 3.0 X 14.0	177
-	1	1	8-22280-7	SPRING, COMPRESSION	176
-	1	1	1752353-2	GUIDE PIN, HOLDDOWN	175
-	1	1	1901680-2	GUIDE PIN, HOLDDOWN	174
-	REF	REF	994970-2	COUNTER, MAGNETIC	164
	-	1	2119955-2	ASSY, LUBRICATOR, END FEED	84
-	1	1	455888-5	SPACER, CRIMPER	82
-	1	1	2119791-9	DEPRESSOR, WIRE	73
-	1	1	1803607-4	DOCUMENTATION PACKAGE	71
-	2	2	2-18032-2	SCR, SET, FLT PNT, M3 X 10.0	70
-	1	1	2119740-1	TAG, IDENTIFICATION	67
-	2	2	2168078-1	SCREW, DRIVE, RH, RoHS, 2 x .188	66
-	1	1	1976052-1	HOLDDOWN, TERMINAL	65
-	1	1	2168083-2	SCR, SKT HD CAP, RoHS, M4 X 8.0	60
-	1	1	5-18022-5	SCR, HEX HD CAP, M4 X 6.0	59
-	4	4	2168400-4	SHCS, LOW HEAD, RoHS, M4 X 8	57
-	2	2	2168083-9	SCR, SKT HD CAP, RoHS, M4 X 20	56
-	2	2	5018030-1	NUT, HEX, REG, RoHS, M3	54
-	2	2	986965-8	NUT, LOCK, HEX, TORQUE (M4)	53
-	1	1	1-5018030-0	NUT, HEX, REG, RoHS, M3.5	52
-	1	1	2063961-1	FEED FINGER	51
-	1	1	18023-9	SCR, SKT HD CAP M4 X 6.0	49
-	1	1	2119655-5	APPLICATOR BASIC ASSEMBLY, EF	46
-	1	1	1803517-1	RAM ASSEMBLY, EF ATLANTIC	44
-	1	1	1803602-1	SCR, BHSC, RoHS (M8 X 25)	41
-	8	8	1-18028-2	WASHER, FLAT, REG M4	33
-	2	2	2168083-9	SCR, SKT HD CAP, RoHS, M4 X 20	31
-	2	2	2168083-2	SCR, SKT HD CAP, RoHS, M4 X 8.0	29
-	1	1	240639-1	STRIPPER (MACHINING)	27
-	2	2	1-2168083-5	SCR, SKT HD CAP, RoHS, M4 X 30	25
-	1	1	1-1752371-6	PLATE, STRIP GUIDE	24
-	2	2	2-22281-3	SPRING, COMPRESSION	22
-	1	1	1803292-4	DRAG	20
-	1	1	1-1901696-8	STRIP GUIDE, REAR	19
-	1	1	1-1901695-8	STRIP GUIDE, FRONT	18
-	4	4	1-2079383-1	SCR, BHSC, RoHS (M6 X 12)	17
-	1	1	1752360-1	SPACER, HOLD-DOWN	13
	-	1	1-240644-7	PLATE, REAR SHEAR	11
-	-	-	-	-	10
	-	1	5-690482-0	PLATE, FRONT SHEAR	9
	1	2	1-1333219-1	ANVIL, COMBINATION	8
	-	1	1-2217206-0	BLADE, SLUG	7
-	1	1	1803203-1	BLOCK, FRONT DEPRESSOR	6
-	1	1	7-240641-0	SPACER	5
-	1	1	2-238011-1	BLOCK, CRIMPER SPACER	4
	1	2	1-1633964-4	CRIMPER, INSULATION OVERLAP PREMIUM	3
-	1	1	455888-9	SPACER, CRIMPER	2
	1	2	1-456422-0	CRIMPER, WIRE PREMIUM	1
-	77	72	-2	PART NO	ITEM NO
-	-	-	-	DESCRIPTION	

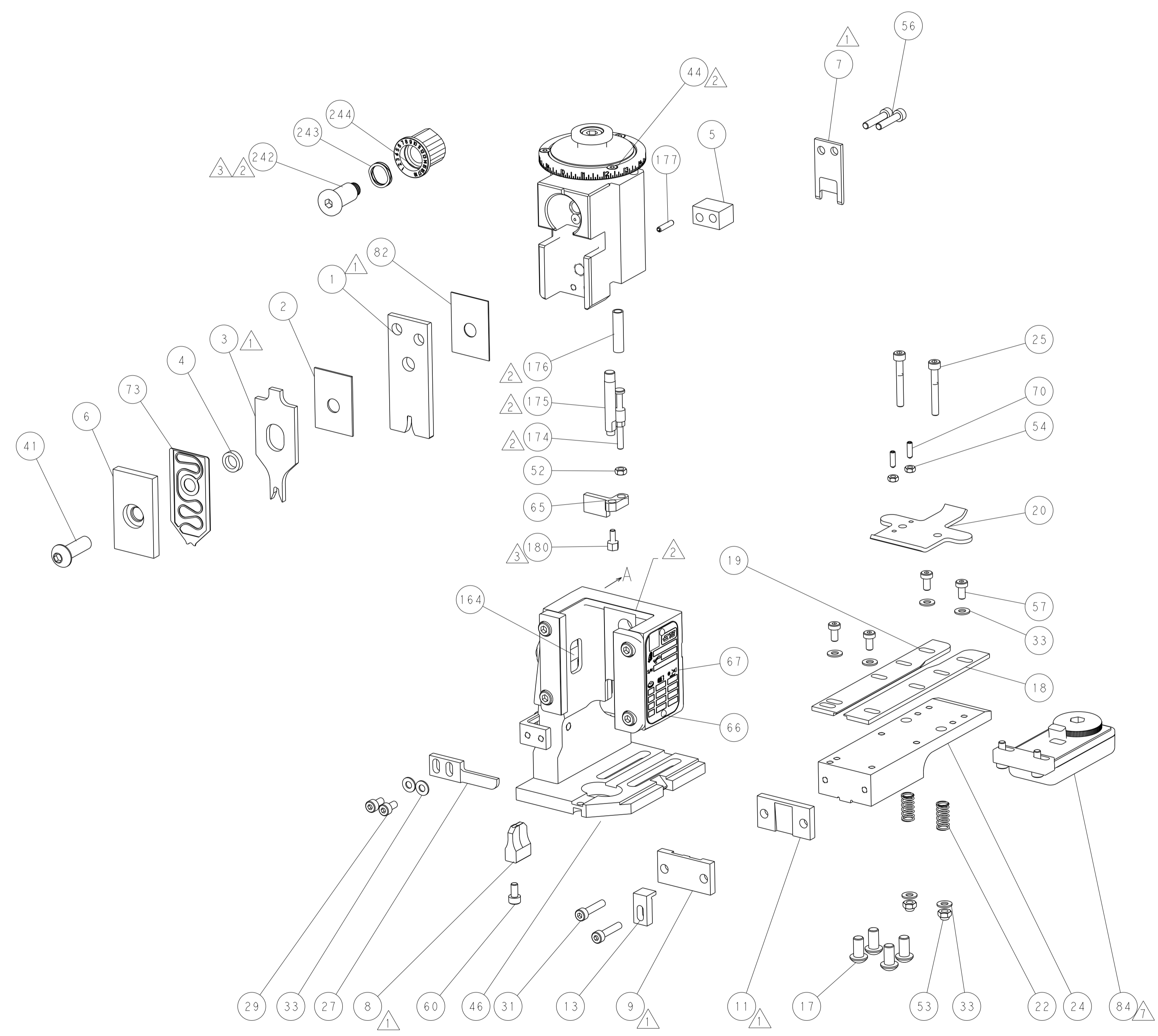
ATLANTIC VERSION
Shown on sheets 1 of 4 & 2 of 4
(Pacific version shown on sheets 3 of 4 & 4 of 4)

DIMENSIONS:		TOLERANCES UNLESS OTHERWISE SPECIFIED:		MATERIAL:		FINISH:		WEIGHT:		SCALE:		SHEET:		REV:	
mm	0 PLC ±	1 PLC ±	2 PLC ±	3 PLC ±	4 PLC ±	ANGLES	FINISH	WEIGHT	SCALE	SHEET	REV	1	OF	4	B1
Customer Accessible Production Drawing		SCALE 1:1		SHEET 1 OF 4		REV B1		WEIGHT		SCALE		SHEET		REV	

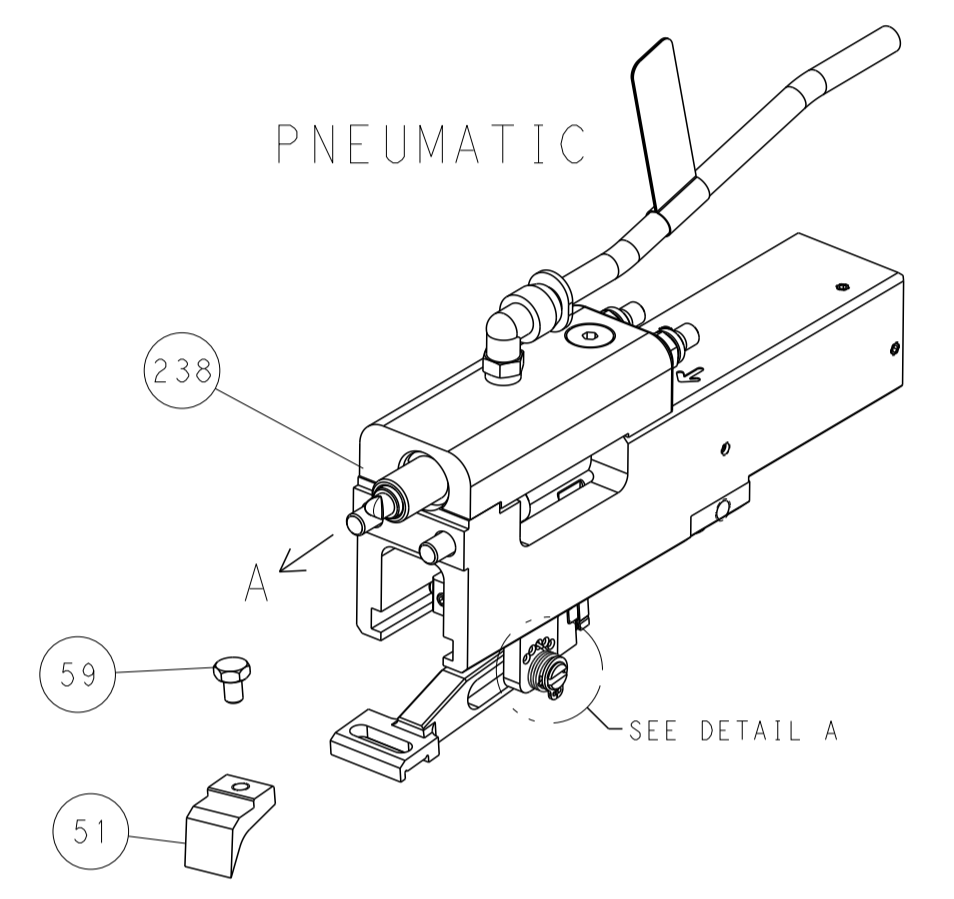
LOC	DIST	REV	DATE	BY	APPV
A	66				
REVISIONS			DATE	BY	APPV
- SEE SHEET 1			-	-	-



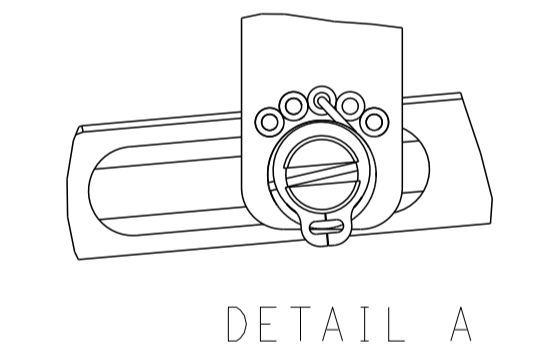
RAM AND HOLDDOWN SET-UP



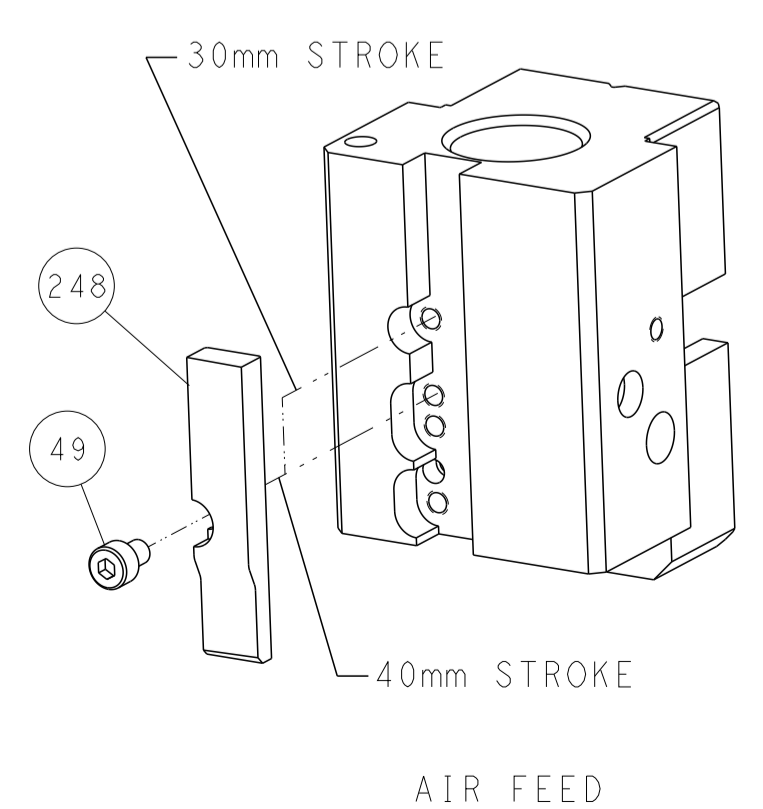
FEED TYPE



FEED SPRING SETTING POSITION



CAM POSITION

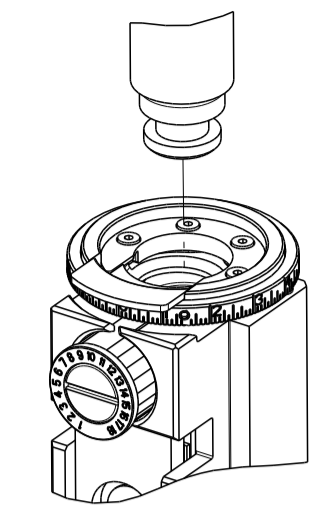


ATLANTIC VERSION
 Shown on sheets 1 of 4 & 2 of 4
 (Pacific version shown on sheets 3 of 4 & 4 of 4)

<small>THIS DRAWING IS UNPUBLISHED. RELEASED FOR PUBLICATION BY TYCO ELECTRONICS CORPORATION. ALL RIGHTS RESERVED.</small> <small>THIS DRAWING IS UNPUBLISHED. RELEASED FOR PUBLICATION BY TYCO ELECTRONICS CORPORATION. ALL RIGHTS RESERVED.</small>		DWN: K. HUANG 03SEP2014 CHK: L. ZHANG 03SEP2014 APVD: J. GUO 03SEP2014	TE Connectivity Harrisburg, PA 17105-3608
DIMENSIONS: mm TOLERANCES UNLESS OTHERWISE SPECIFIED: 0 PLC ± 1 PLC ± 2 PLC ± 3 PLC ± 4 PLC ± ANGLES ± MATERIAL: - FINISH: -		NAME: Ocean End Feed Applicator PRODUCT SPEC: - APPLICATION SPEC: - WEIGHT: - SCALE: 1:1	RESTRICTED TO: - SIZE: A1 CAGE CODE: 00779 DRAWING NO: C=2150195 SHEET 2 OF 4 REV: B1

PART NUMBER	REVISION	DESCRIPTION	FEED TYPE
2-2150195-2	B	FINE CRIMP HEIGHT ADJUST	PNEUMATIC
7-2150195-7	A	CRIMP TOOLING KIT	-

PACIFIC VERSION TERMINATOR
 INTERFACE ADAPTER



APPLICATOR DATA

CRIMP	SIZE	TYPE
WIRE	2.79 mm [.110]	F
INSUL	3.56 mm [.140]	OV

APPLICATOR INSTRUCTIONS
 408-35043

TERMINAL DATA: TE TERMINAL TE CRIMP SPECIFICATION

TERMINAL NAME: 6.3 FASTIN-FASTON TAB

WIRE STRIP LENGTH	INSULATION DIAMETER RANGE
4.80-5.60 mm [.189-.220 IN]	Ø2.10-3.10 mm [.083-.122 IN]

TERMINAL APPLICATION SPECIFICATION

114-18022	-	-	-
-----------	---	---	---

TERMINALS APPLIED

TE TERMINAL	TE TERMINAL	TE TERMINAL	TE TERMINAL
928962-1	928962-5	929902-1	929902-5
928962-2	928962-6	929902-2	929902-6
928962-3	928962-7	929902-3	-
928962-4	928962-8	929902-4	-

TERMINAL DATA: TE TERMINAL TE CRIMP SPECIFICATION

TERMINAL NAME: FASTIN-FASTON .250 TAB

WIRE STRIP LENGTH	INSULATION DIAMETER RANGE
4.80-5.60 mm [.189-.220 IN]	Ø2.10-2.90 mm [.083-.114 IN]

TERMINAL APPLICATION SPECIFICATION

114-18022	-	-	-
-----------	---	---	---

TERMINALS APPLIED

TE TERMINAL	TE TERMINAL	TE TERMINAL	TE TERMINAL
444152-1	444152-3	444152-7	-
444152-2	444152-4	444152-8	-

WIRE SIZE	CRIMP HEIGHT mm [INCH]	CRIMP HEIGHT REFERENCE SETTING
2.50mm2	1.95+/-0.05 [.077+/- .002]	6.0
2.00mm2	1.77+/-0.05 [.070+/- .002]	8.2
1.50mm2	1.65+/-0.05 [.065+/- .002]	9.5

WIRE SIZE	CRIMP HEIGHT mm [INCH]	CRIMP HEIGHT REFERENCE SETTING
2.50mm2	1.95+/-0.05 [.077+/- .002]	6.0
2.00mm2	1.77+/-0.05 [.070+/- .002]	8.2
1.50mm2	1.65+/-0.05 [.065+/- .002]	9.5

- RECOMMENDED SPARE PARTS
- REFER TO SUPPLIED INSTRUCTION SHEET FOR CLEANING, LUBRICATION AND STORAGE OF APPLICATOR.
- APPLY PART NUMBER 1-23419-5 LOCTITE TO THREADS OF ITEMS 180. APPLY PART NUMBER 2-23419-6 LOCTITE TO THREADS OF ITEM 242.
- CRIMP HEIGHT REFERENCE SETTING WAS THE SETTING USED WHEN THE APPLICATOR WAS QUALIFIED AT THE FACTORY. ADJUSTMENT MAY BE NECESSARY WHEN RUNNING APPLICATOR IN THE FIELD.
- 5. UNLESS SPECIFIED OTHERWISE TORQUE VALUES SHALL BE USED PER DOCUMENT, 101-35000.
- TERMINAL PITCH IS NOT COMPATIBLE WITH MECHANICAL FEED.
- TERMINAL LUBRICANT IS RECOMMENDED.

*WARNING
 ON INSTALLATION, SET WIRE DISC TO CRIMP HEIGHT REFERENCE SETTING FOR LARGEST WIRE SIZE. CRIMP HEIGHT REFERENCE SETTINGS GREATER THAN THE VALUE SHOWN MAY CAUSE DAMAGE TO THE CRIMP TOOLING, REFER TO THE INSTRUCTION SHEET FOR PROPER SETUP AND ADJUSTMENTS.

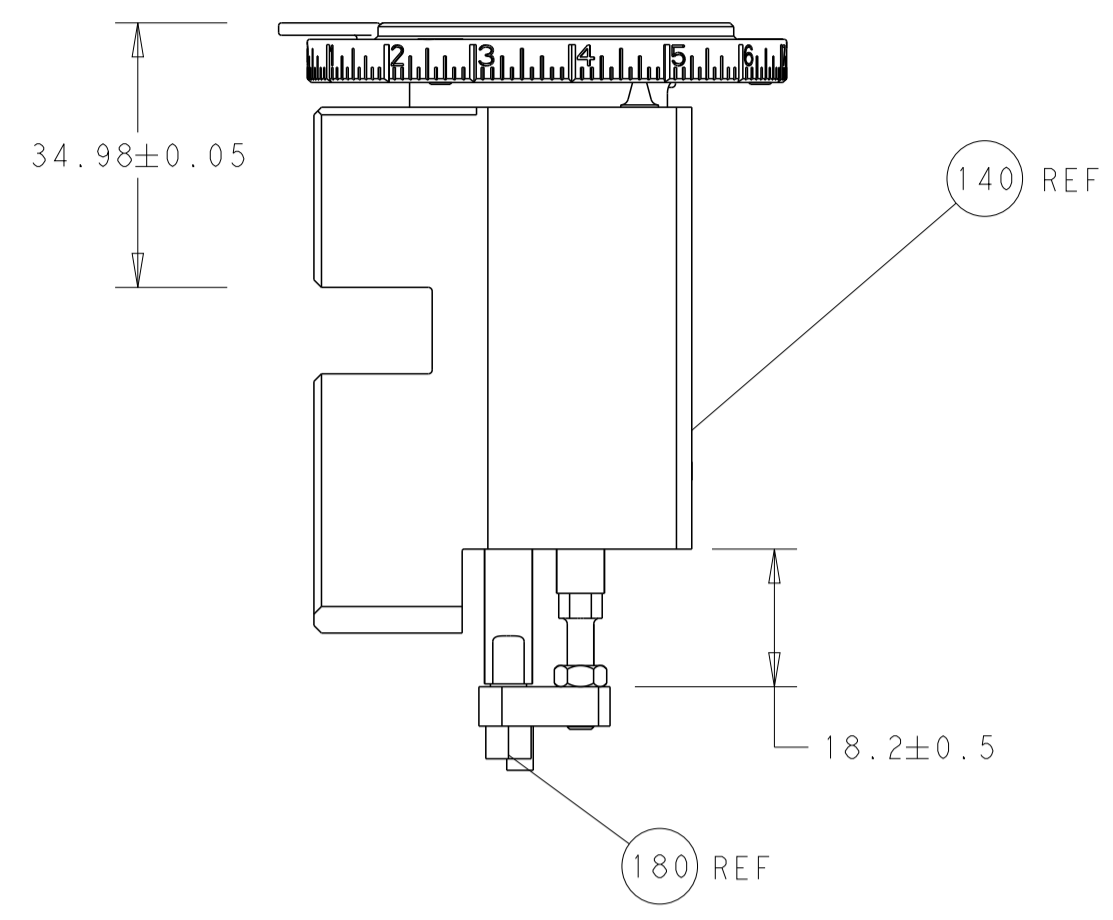
LOC	DIST	REVISIONS					
A	66	P	LTN	DESCRIPTION	DATE	OWN	APVD
-	-	-	-	SEE SHEET 1	-	-	-

- 1	2119082-7	CAM, SNAIL, INSULATION ADJUSTMENT	244	
- 1	2079764-1	WASHER, WAVE SPRING, CREST-TO-CREST	243	
- 1	2119083-1	RETAINER, INSULATION DIAL	242	
- 1	2844940-4	AIR FEED MODULE	238	
- 4	2079383-9	SCR, BHSC, RoHS (M6 X 20)	186	
- 1	1752354-2	STANDOFF, HOLD-DOWN	180	
- 1	6-993111-6	PIN, SLOTTED SPRING 3.0 X 14.0	177	
- 1	8-22280-7	SPRING, COMPRESSION	176	
- 1	1752353-2	GUIDE PIN, HOLDDOWN	175	
- 1	1901680-2	GUIDE PIN, HOLDDOWN	174	
- REF	994970-2	COUNTER, MAGNETIC	164	
- 1	2119641-2	FEED CAM, AIR FEED	152	
- 1	2168083-8	SCR, SKT HD CAP, RoHS, M4 X 16	144	
- 1	2119655-6	APPLICATOR BASIC ASSEMBLY, EF	141	
- 1	1803518-1	RAM ASSEMBLY, EF PACIFIC	140	
- 1	2119955-2	ASSY, LUBRICATOR, END FEED	84	
- 1	455888-5	SPACER, CRIMPER	82	
- 1	2119791-9	DEPRESSOR, WIRE	73	
- 1	1803607-4	DOCUMENTATION PACKAGE	71	
- 2	2-18032-2	SCR, SET, FLT PNT, M3 X 10.0	70	
- 1	2119740-1	TAG, IDENTIFICATION	67	
- 2	2168078-1	SCREW, DRIVE, RH, RoHS, 2 x .188	66	
- 1	1976052-1	HOLDDOWN, TERMINAL	65	
- 1	5-18022-5	SCR, HEX HD CAP, M4 X 6.0	59	
- 4	2168400-4	SHCS, LOW HEAD, RoHS, M4 X 8	57	
- 2	2168083-9	SCR, SKT HD CAP, RoHS, M4 X 20	56	
- 2	5018030-1	NUT, HEX, REG, RoHS, M3	54	
- 2	986965-8	NUT, LOCK, HEX, TORQUE (M4)	53	
- 1	1-5018030-0	NUT, HEX, REG, RoHS, M3.5	52	
- 1	2063961-1	FEED FINGER	51	
- 1	18023-9	SCR, SKT HD CAP M4 X 6.0	49	
- 1	1803602-1	SCR, BHSC, RoHS (M8 X 25)	41	
- 8	1-18028-2	WASHER, FLAT, REG M4	33	
- 2	2168083-9	SCR, SKT HD CAP, RoHS, M4 X 20	31	
- 2	2168083-2	SCR, SKT HD CAP, RoHS, M4 X 8.0	29	
- 1	240639-1	STRIPPER (MACHINING)	27	
- 2	1-2168083-5	SCR, SKT HD CAP, RoHS, M4 X 30	25	
- 1	1-1752371-6	PLATE, STRIP GUIDE	24	
- 2	2-22281-3	SPRING, COMPRESSION	22	
- 1	1803292-4	DRAG	20	
- 1	1-1901696-8	STRIP GUIDE, REAR	19	
- 1	1-1901695-8	STRIP GUIDE, FRONT	18	
- 1	1752360-1	SPACER, HOLD-DOWN	13	
- 1	1-240644-7	PLATE, REAR SHEAR	11	
-	-	-	10	
- 1	5-690482-0	PLATE, FRONT SHEAR	9	
1	1	2-1333219-1	ANVIL, COMBINATION	8
- 1	1	1-2217206-0	BLADE, SLUG	7
- 1	1	1803203-1	BLOCK, FRONT DEPRESSOR	6
- 1	1	7-240641-0	SPACER	5
- 1	1	2-238011-1	BLOCK, CRIMPER SPACER	4
1	1	1633964-4	CRIMPER, INSULATION OVERLAP PREMIUM	3
- 1	1	455888-9	SPACER, CRIMPER	2
1	1	1-456422-0	CRIMPER, WIRE PREMIUM	1
- 77	- 22	PART NO	DESCRIPTION	ITEM NO

PACIFIC VERSION
 Shown on sheets 3 of 4 & 4 of 4
 (Atlantic version shown on sheets 1 of 4 & 2 of 4)

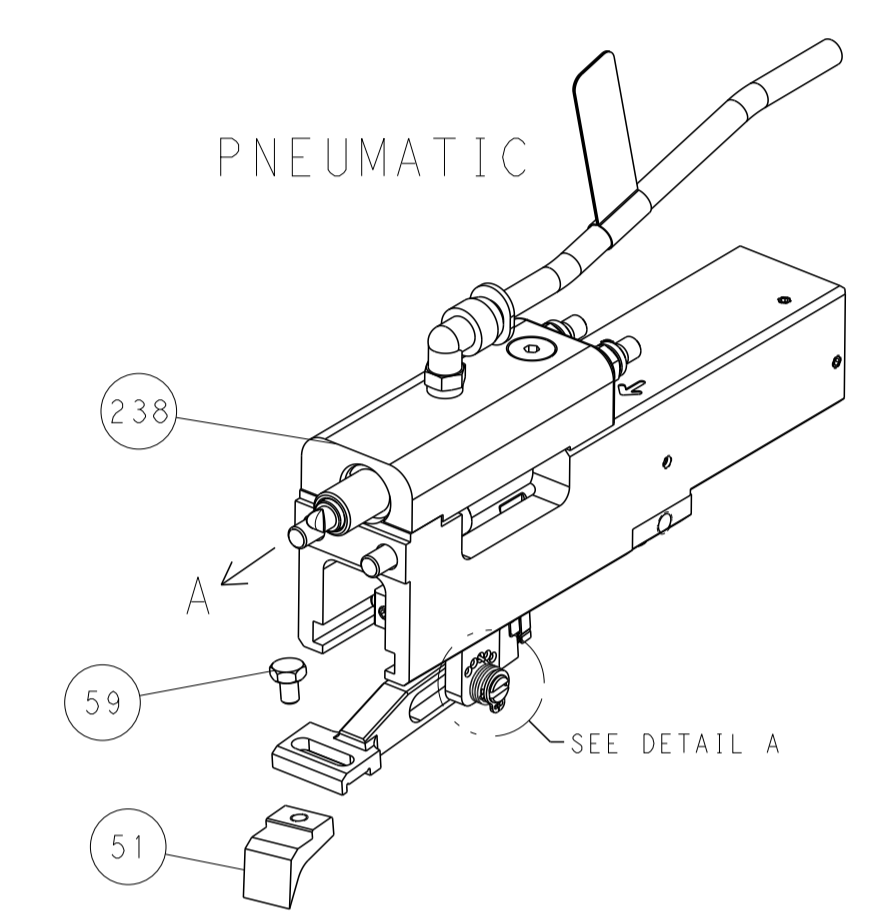
DIMENSIONS:		TOLERANCES UNLESS OTHERWISE SPECIFIED:		DWG		REV		DATE	
mm	0 PLC ±	1 PLC ±	2 PLC ±	3 PLC ±	4 PLC ±	03SEP2014	H. HUANG	03SEP2014	
MATERIAL:				FINISH:		APVD		NAME	
-				-		J. GUO		03SEP2014	
Customer Accessible Production Drawing						SCALE		SHEET 3 OF 4	
00779						C=2150195		REV	
-						-		B1	

LOC		DIST		REVISIONS			
A	66	P	LTH	DESCRIPTION	DATE	OWN	APVD
		-		SEE SHEET 1			

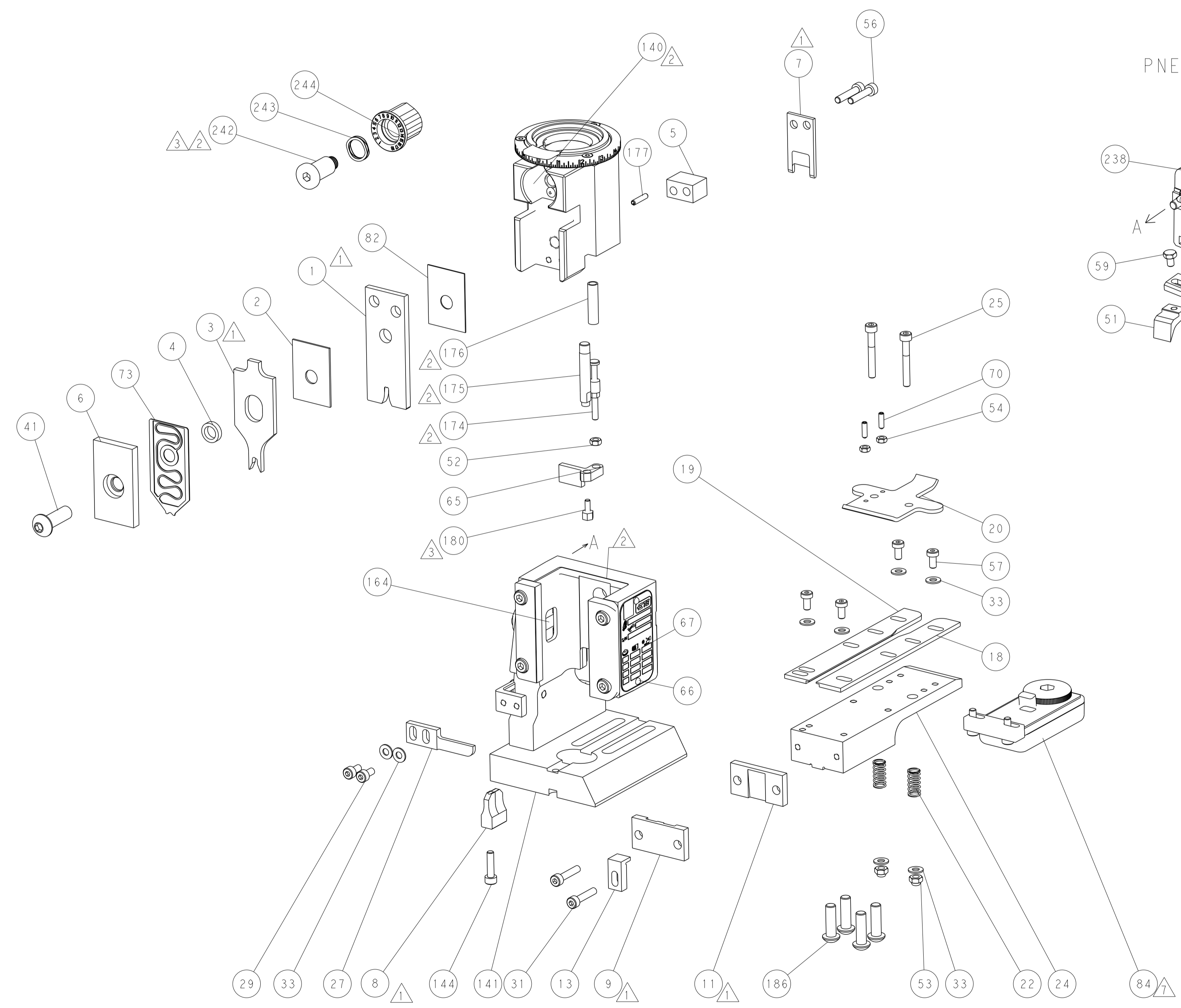
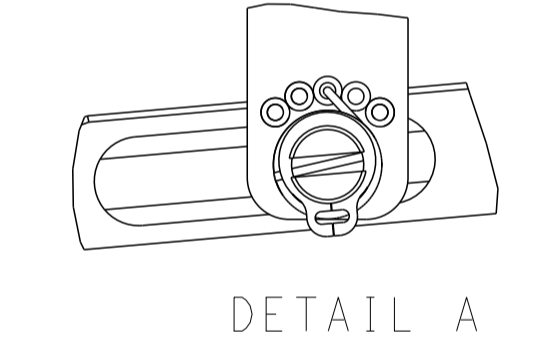


RAM AND HOLDDOWN SET-UP

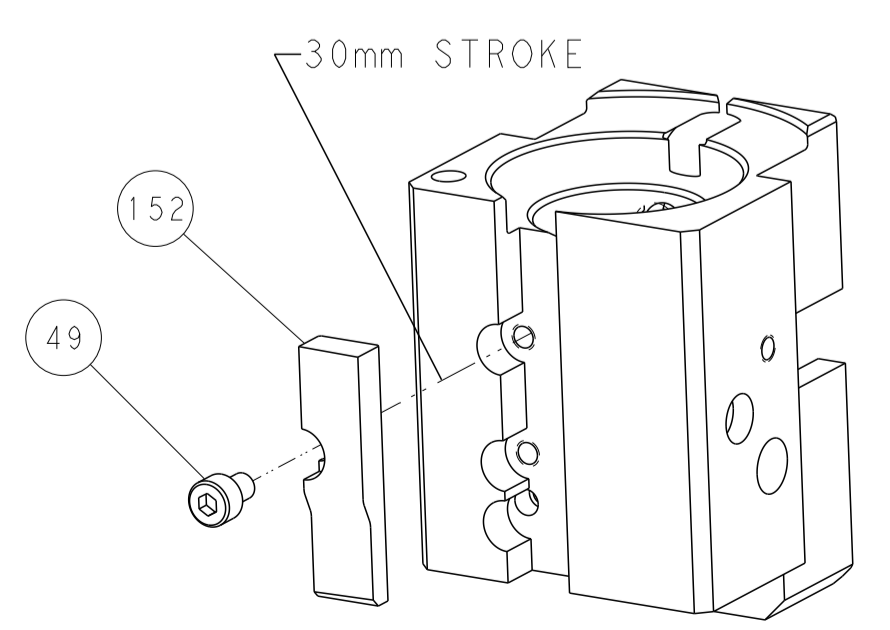
FEED TYPE



FEED SPRING SETTING POSITION



CAM POSITION



AIR FEED

PACIFIC VERSION
 Shown on sheets 3 of 4 & 4 of 4
 (Atlantic version shown on sheets 1 of 4 & 2 of 4)

<small>THIS DRAWING IS UNPUBLISHED. RELEASED FOR PUBLICATION 20. COPYRIGHT 20 BY TYCO ELECTRONICS CORPORATION. ALL RIGHTS RESERVED.</small>		DWN: K. HUANG 03SEP2014 CHK: L. ZHANG 03SEP2014 APVD: J. GUO 03SEP2014	TE Connectivity Harrisburg, PA 17105-3608
DIMENSIONS: mm TOLERANCES UNLESS OTHERWISE SPECIFIED: 0 PLC ± 1 PLC ± 2 PLC ± 3 PLC ± 4 PLC ± ANGLES ± MATERIAL: - FINISH: -		PRODUCT SPEC: - APPLICATION SPEC: - WEIGHT: - SCALE: 1:1	NAME: Ocean End Feed Applicator SIZE: A1 CAGE CODE: 00779 DRAWING NO: C=2150195 SHEET 4 OF 4 REV: B1