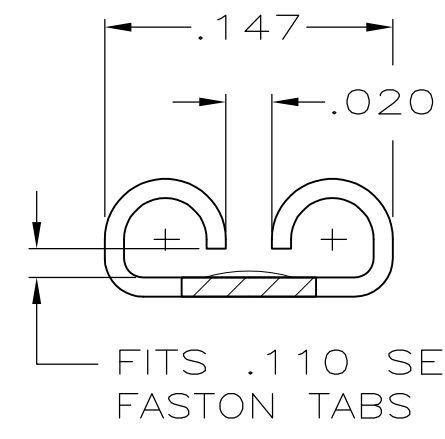
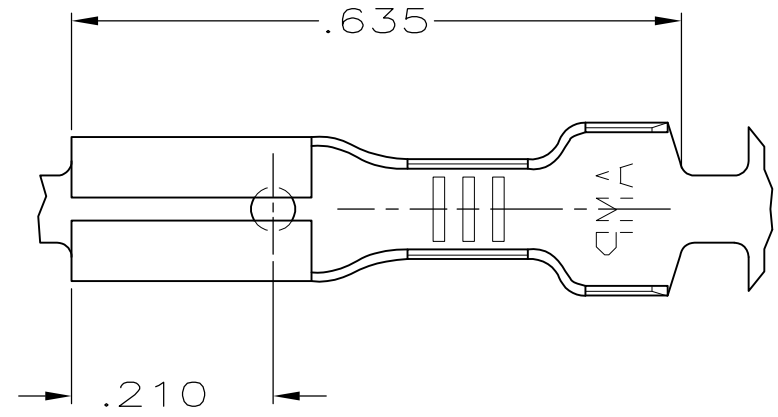


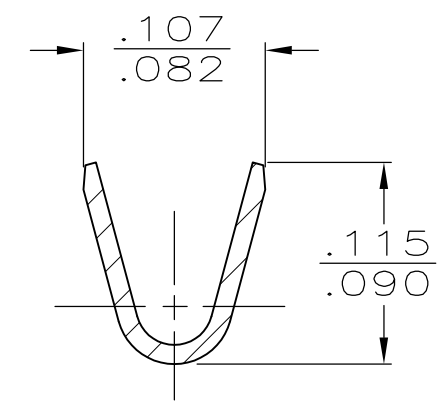
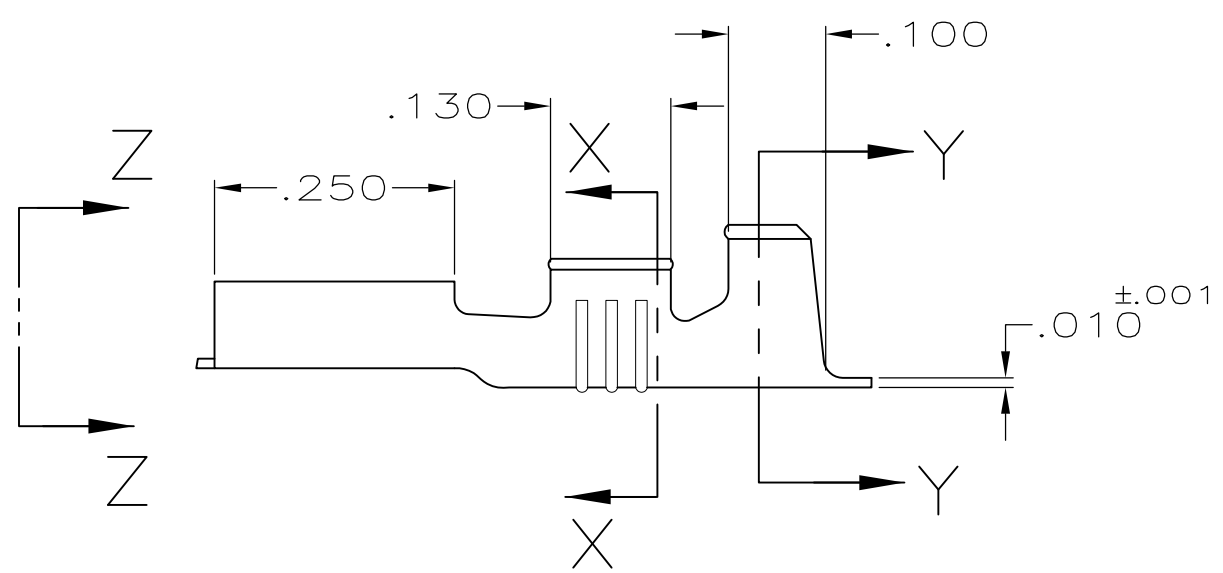
THIS DRAWING IS UNPUBLISHED. RELEASED FOR PUBLICATION
 © COPYRIGHT - By - ALL RIGHTS RESERVED.

LOC	DIST	REVISIONS			
P	LTR	DESCRIPTION	DATE	DWN	APVD
AF	50				
	D	REVISED PER ECR-12-013459	29NOV2012	KH	PD

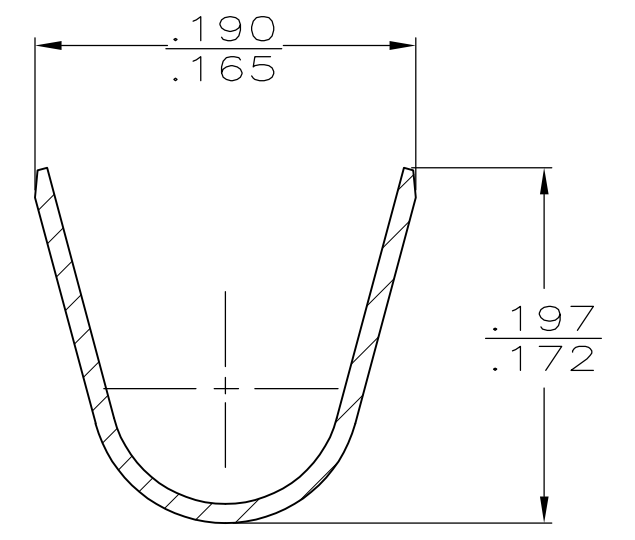


FITS .110 SERIES FASTON TABS
 VIEW Z-Z
 SCALE 10:1

1 CONTINUOUS STRIP ON REELS



SECTION X-X
 SCALE 10:1



SECTION Y-Y
 SCALE 10:1

.120-.140	22-18 AWG	.025	61158-1
INSUL RANGE	WIRE SIZE	MATING TAB THK ±.001	PART NO

THIS DRAWING IS A CONTROLLED DOCUMENT.		DWN	JR RUTH	12/20/90	TE Connectivity							
DIMENSIONS: INCHES		CHK	MS FEHER	12/20/90					NAME RECEPTACLE, FASTON, .110 SERIES			
		APVD	C MEYERS	12/21/90								
TOLERANCES UNLESS OTHERWISE SPECIFIED:		PRODUCT SPEC			SIZE							
0 PLC ± - 1 PLC ± - 2 PLC ± - 3 PLC ± .015 4 PLC ± - ANGLES ± -		APPLICATION SPEC			CAGE CODE			RESTRICTED TO				
MATERIAL: BRASS		FINISH: PRE-TIN			DRAWING NO			REV				
		WEIGHT: -			A300779			D				
		CUSTOMER DRAWING			SCALE: 5:1		SHEET 1 OF 1					