

1 Products affected

Product hierarchy no. *			Part no.	SBU	Type / Description	Customer part no.
SBU PG	PGU	Type				
02 007	043	0000002290	4790.1100	Connectors	4790	
02 007	043	0000002290	4790.1200	Connectors	4790	

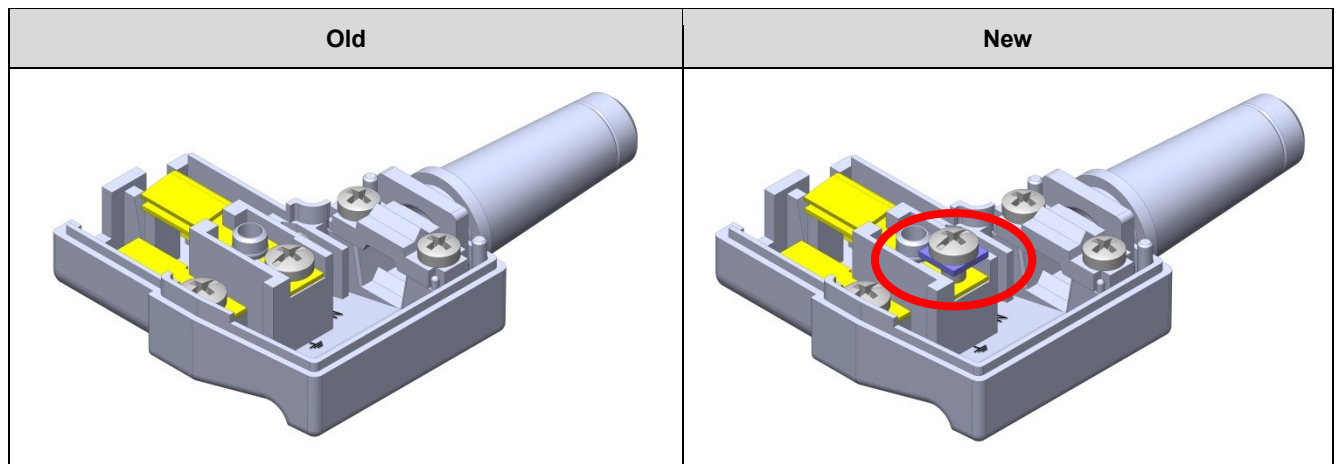
*SBU (2-digit) / PG (3-digit) / PGU (3-digit) / Type (10-digit)

2 Type of change

Ground terminal assembled with a clamping plate.

3 Detailed description of change

The terminal screw "Ground" is pre-assembled with a clamping plate, which will retain all individual wires below the screw head (blue part in picture below).



4 Reason of change

An uncareful wire insertion could lead to unsatisfactory screw connection. The clamping plate makes the handling easier and the screw connection more safe.

5 Release date

The change will be rolled-out starting ww 07/2016 and lasts approx. 6 months depending on the variant.

4790					0118.2304	
creation date	created by	release date	released by	notification no.	revision	page
2015-09-02	bisanger	2015-09-30	bisanger	27929	-	1 of 2

6 Impact of change and recommended action

Form:	No	There are no form changes
Fit:	Yes	Screw terminal "Ground" assembled with a clamping plate
Function:	No	This is a non-functional change
Production Site:	No	There is no change of the production site
Product Label:	No	There is no change on the label

7 Reference Documents / Attachments

Kind of document	Document number	Remarks
Data sheet		
Mounting Instruction	0115.0047	

4790					0118.2304	
creation date	created by	release date	released by	notification no.	revision	page
2015-09-02	bisanger	2015-09-30	bisanger	27929	-	2 of 2