

Product Change Notification

PCN-IFC-2226-2018

Business Unit	Product Line Code	Type of Change	Action	Date of Issue
IFC - Industrial Field Connectivity	BF2	Product Change Notification	Notify Distributors and Field	8/23/2018

The following Phoenix Contact products have been modified. Existing specifications will be met or exceeded. Please review and acknowledge this document and inform your personnel as needed.

Description for Product Change Notification

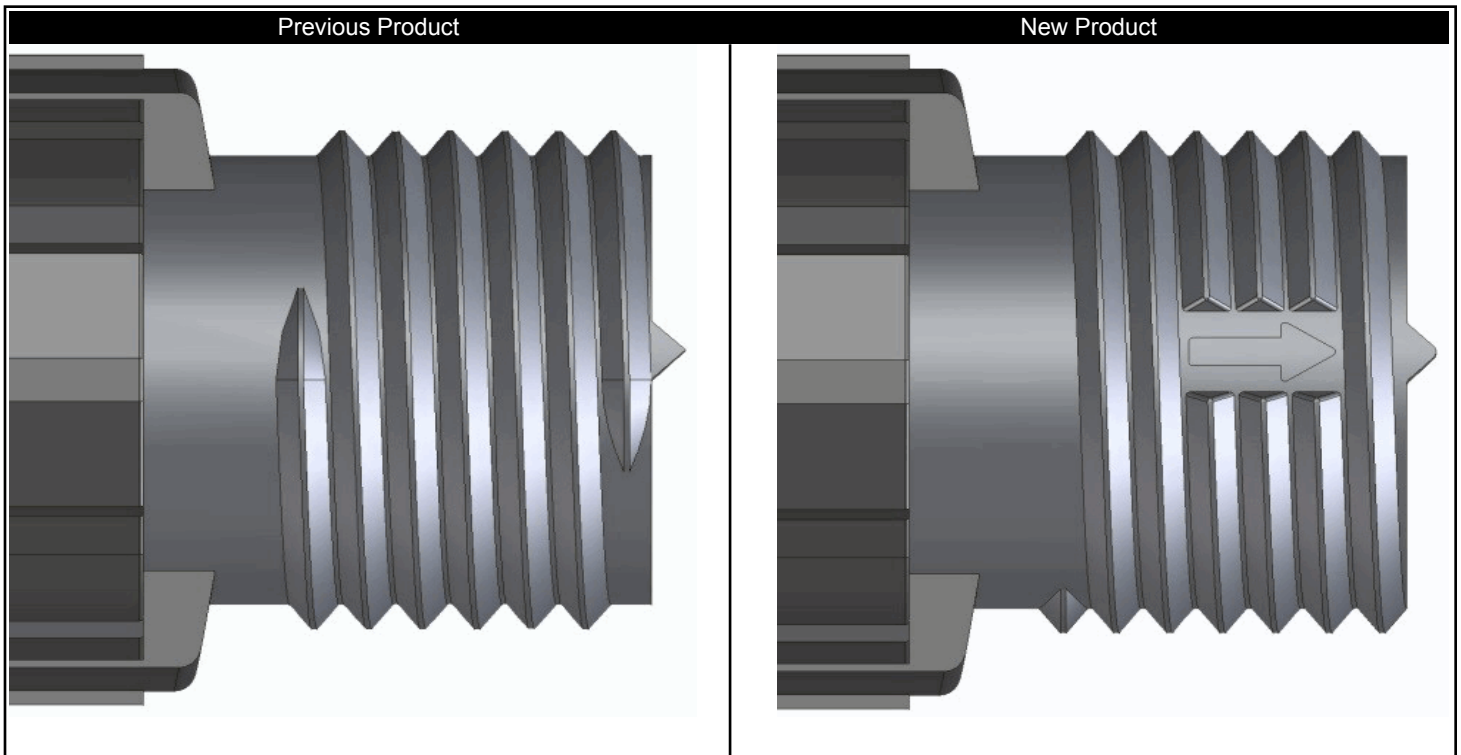
The flange for various QUICKON products was modified for production reasons. At the same time we added an arrow inside of the thread. This arrow will better identify the correct alignment between the splice body and flange. All electrical and mechanical data remains unchanged.

Stock Status

Can existing stock still be used?	Yes
Is mixture of stock acceptable?	No

Transaction Dates

Date modification goes into effect from Germany:	1/1/2018
Expected first shipment (from Phoenix Contact) of the modified products(s):	1/15/2018





Phoenix Contact Inc.
P.O. BOX 4100
Harrisburg, PA 17111-0100
Phone: 717-944-1300
Fax: 717-944-1625

Product Change Notification

Should you have any issues with the timeline or content of this product change, please contact Phoenix Contact using the information below. Customers should acknowledge receipt of the PCN within 30 days of delivery of the PCN; provided, however, that the failure to acknowledge receipt does not affect the product change or the effective date thereof.

Contact Info:

Nathan Owens
nowens@phoenixcon.com

Thank you,

Nathan Owens

Product Marketing Manager - IFC



Phoenix Contact Inc.
P.O. BOX 4100
Harrisburg, PA 17111-0100
Phone: 717-944-1300
Fax: 717-944-1625

Product Change Notification

Part #	Type Description
1641772	SACC-M12FS-4QO-0,75-M
1440782	SACC-M12FS-4QO-0,75-VA
1521601	SACC-FS-4QO-0,75-M SCO
1641756	SACC-M12FS-4QO-0,75
1521588	SACC-FS-4QO-0,34-M SCO
1641688	SACC-M12FS-4QO-0,34-M
1440766	SACC-M12FS-4QO-0,34-VA
1641701	SACC-M12FS-4QO-0,34
1641691	SACC-M12MS-4QO-0,34-M
1521575	SACC-MS-4QO-0,34-M SCO
1641785	SACC-M12MS-4QO-0,75-M
1641769	SACC-M12MS-4QO-0,75
1521591	SACC-MS-4QO-0,75-M SCO
1440779	SACC-M12MS-4QO-0,75-VA
1405061	SACC-MS-4QO-0,75-M SCO NUM
1548477	SACB- 6/3-L-10,0PUR QO-0,34
1548448	SACB- 4/3-L- 5,0PUR QO-0,34
1548451	SACB- 4/3-L-10,0PUR QO-0,34
1548503	SACB 4-3 L QO-0,34 PUR/
1548668	SACB 8-3 QO-0,34 PUR/
1548655	SACB 6-3 QO-0,34 PUR/
1548480	SACB- 8/3-L- 5,0PUR QO-0,34
1548493	SACB- 8/3-L-10,0PUR QO-0,34
1548697	SACB 8-4 QO-0,34 PUR/
1548684	SACB 6-4 QO-0,34 PUR/
1548671	SACB 4-4 QO-0,34 PUR/
1548545	SACB- 4/4-L-10,0PUR QO-0,34
1548532	SACB- 4/4-L- 5,0PUR QO-0,34
1548587	SACB- 8/4-L-10,0PUR QO-0,34
1548574	SACB- 8/4-L- 5,0PUR QO-0,34
1548558	SACB- 6/4-L- 5,0PUR QO-0,34
1548561	SACB- 6/4-L-10,0PUR QO-0,34
1548367	SACB- 6/3-C QO-0,34
1548338	SACB- 6/3-L-C QO-0,34
1548325	SACB- 4/3-L-C QO-0,34
1548341	SACB- 8/3-L-C QO-0,34
1548354	SACB- 4/3-C QO-0,34
1548370	SACB- 8/3-C QO-0,34
1548435	SACB- 8/4-C QO-0,34
1548396	SACB- 6/4-L-C QO-0,34
1548422	SACB- 6/4-C QO-0,34
1548406	SACB- 8/4-L-C QO-0,34
1548383	SACB- 4/4-L-C QO-0,34
1548419	SACB- 4/4-C QO-0,34
1642140	Q 0,75/4IDC/18-18KU-KU BK
1642140	Q 0,75/4IDC/18-18KU-KU BK