

## Connector - SACC-M12MR-5PL SH - 1424659

Please be informed that the data shown in this PDF Document is generated from our Online Catalog. Please find the complete data in the user's documentation. Our General Terms of Use for Downloads are valid (<http://phoenixcontact.com/download>)

Connector, Universal, 5-position, shielded, Plug angled M12, A-coded, Push-in connection, knurl material: Zinc die-cast, nickel-plated, external cable diameter 4 mm ... 8 mm



### Your advantages

- ✓ Easy and tool-free connection by means of Push-in Technology
- ✓ Conveniently connect stranded conductors, thanks to lever
- ✓ Reliable and quick connection of electric cables
- ✓ Flexible signal and data cabling
- ✓ Flexible cable outlets with angled connectors
- ✓ Easy and tool-free connection by means of Push-in Technology
- ✓ Quick and easy installation, thanks to Push-in connection technology

### Key Commercial Data

|              |               |
|--------------|---------------|
| Packing unit | 1 pc          |
| GTIN         |               |
| GTIN         | 4055626375861 |

### Technical data

#### Dimensions

|   |               |
|---|---------------|
| Diameter housing                        | 19 mm         |
| Length                                  | 50 mm         |
| External cable diameter                 | 4 mm ... 8 mm |
| Stripping length of the sheath          | 31 mm         |
| Stripping length of the individual wire | 7 mm          |

#### Ambient conditions

|                                 |                                  |
|---------------------------------|----------------------------------|
| Ambient temperature (operation) | -40 °C ... 85 °C (Plug / socket) |
| Degree of protection            | IP65/IP67                        |

#### General

# Connector - SACC-M12MR-5PL SH - 1424659

## Technical data

### General

|                             |   |
|-----------------------------|---|
| Note                        | NOTE: Observe the permissible bending radii when laying conductors, since the degree of protection may be put in jeopardy if the bending forces are too high. Alleviate mechanical loads upstream of the connector, e.g. by using cable ties. |
| Rated current at 40°C       | 4 A (2 A when using 0.14 mm <sup>2</sup> conductors)  |
| Rated voltage               | 48 V AC   |
|                             | 60 V DC   |
| Number of positions         | 5   |
| Insulation resistance       | ≥ 100 MΩ  |
| Coding                      | A - standard  |
| Standards/regulations       | M12 connector IEC 61076-2-101   |
|                             | Shock, vibration EN 50155:2001  |
| Signal type/category        | Universal   |
| Status display              | No  |
| Overvoltage category        | II  |
| Degree of pollution         | 3   |
| Connection method           | Push-in connection  |
| Conductor cross section     | 0.14 mm <sup>2</sup> ... 0.75 mm <sup>2</sup> (without ferrule)   |
|                             | 0.08 mm <sup>2</sup> ... 0.5 mm <sup>2</sup> (with ferrule)   |
|                             | 0.14 mm <sup>2</sup> ... 0.75 mm <sup>2</sup> (solid)   |
| Conductor cross section AWG | 26 ... 18 (without ferrule)   |
|                             | 28 ... 20 (with ferrule)  |
| Insertion/withdrawal cycles | ≥ 100   |
| Torque                      | 0.4 Nm (M12 knurl)  |
|                             | 0.8 Nm (Connector with coupling sleeve)   |
|                             | 3 Nm (Pressure nut with coupling sleeve)  |
| Assembly instructions       | The connector pin assignment can be rotated 45° to the cable outlet   |
|                             | The wires can be connected both with ferrules and without ferrules  |

### Material

|  |   |
|--|---|
| Flammability rating according to UL 94 | V0  |
| Contact material                       | CuSn  |
| Contact surface material               | Ni/Au   |
| Contact carrier material               | PA 6.6  |
| Material of grip body                  | Zinc die-cast, nickel-plated  |
| Material, knurls                       | Zinc die-cast, nickel-plated  |
| Sealing material                       | NBR   |
| Additional material specifications     | TPE-U (Clamping cage, weight: 1.1 g)  |
|  | PA 6 (Actuation lever)  |
| Standards/regulations                  | PA 6.6: Fire protection in rail vehicles - requirement sets R22, R23, R24, R25, and R26 acc. to DIN EN 45545-2 (Risk level HL1 - HL3) |
|  | PA 6: Fire protection in rail vehicles - requirement sets R22, R23, and R24 acc. to DIN EN 45545-2 (Risk level HL1 - HL3)             |

## Connector - SACC-M12MR-5PL SH - 1424659

### Technical data

#### Standards and Regulations

|  |                  |
|--|------------------|
| Standard designation                   | M12 connector    |
| Standards/regulations                  | IEC 61076-2-101  |
| Standard designation                   | Shock, vibration |
| Standards/regulations                  | EN 50155:2001    |
| Flammability rating according to UL 94 | V0               |

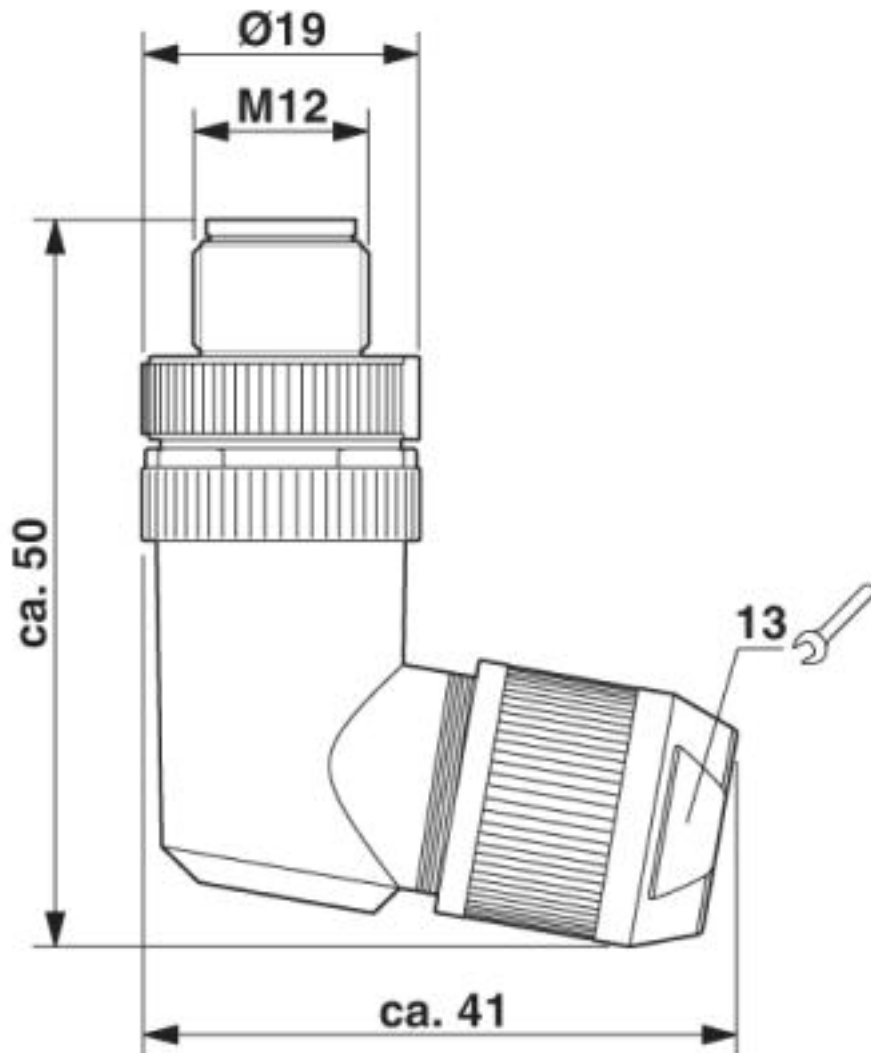
#### Environmental Product Compliance

|            |   |
|------------|---|
| China RoHS | Environmentally friendly use period: unlimited = EFUP-e |
|            | No hazardous substances above threshold values          |

### Drawings

# Connector - SACC-M12MR-5PL SH - 1424659

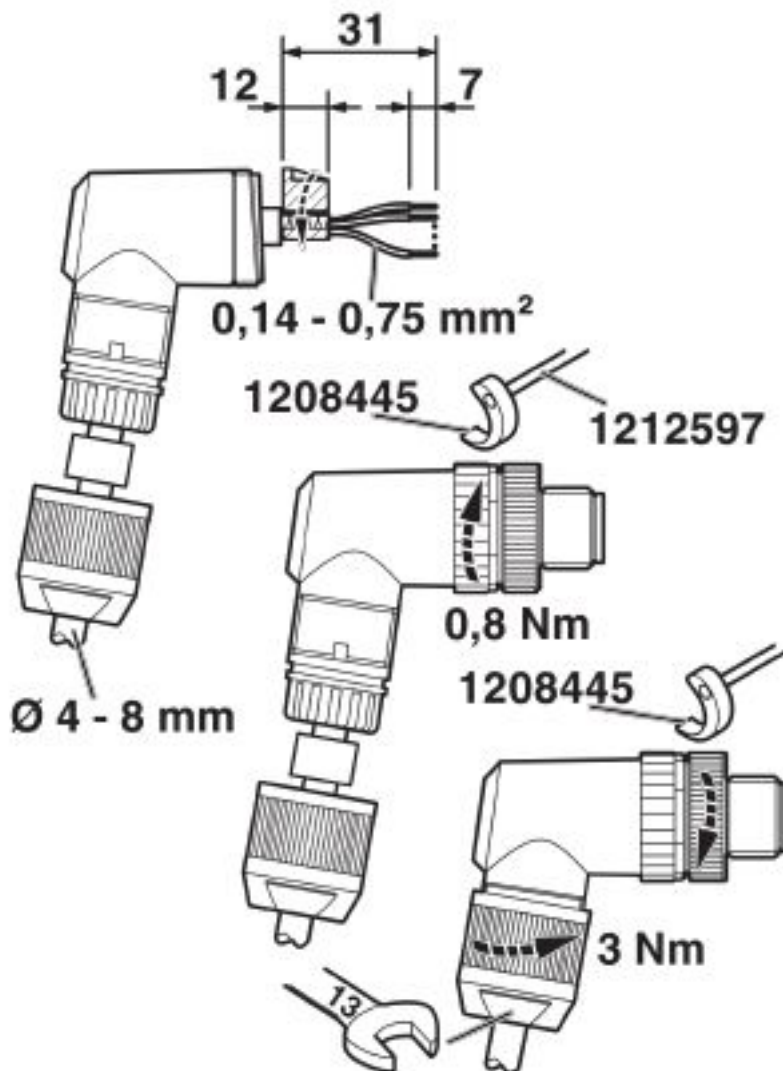
Dimensional drawing



Plug M12 SPEEDCON, angled, shielded

# Connector - SACC-M12MR-5PL SH - 1424659

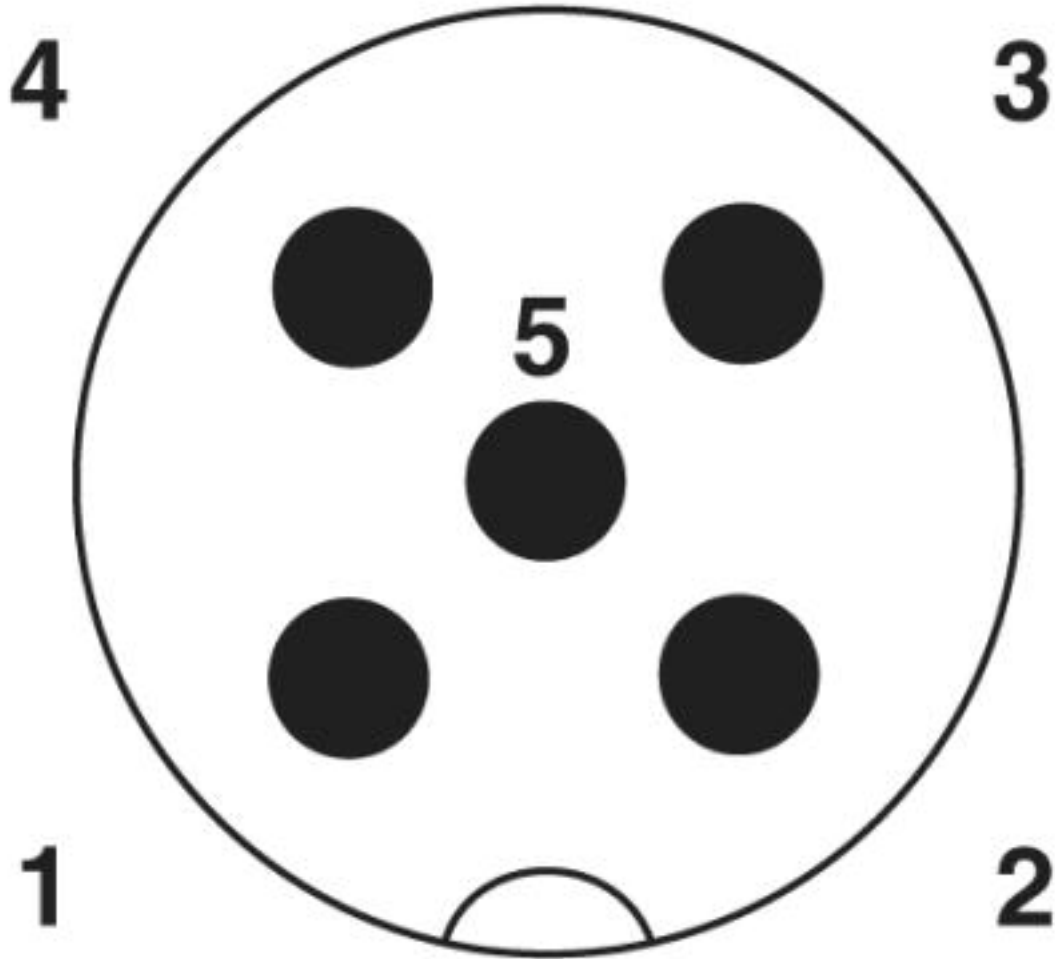
Functional drawing



Slide the pressure nut and sleeve housing along the cable, strip the cable, shorten the shield, strip the single wires, connect the wires, in the case of a straight sleeve housing gently twist the wires together, stick the shielding foil around the shortened shield, in the case of a cable outside diameter < 6 mm stick an additional shielding foil around the wire pack, screw the sleeve housing to the plug insert, screw the pressure nut tight.

# Connector - SACC-M12MR-5PL SH - 1424659

Schematic diagram



Pin assignment M12 male connector, 5-pos., A-coded, male side

## Approvals

Approvals

---

Approvals

EAC / UL Listed / cUL Listed / cULus Listed

---

Ex Approvals


---


Approval details


# Connector - SACC-M12MR-5PL SH - 1424659

## Approvals

|     |   |  |                          |
|-----|---|--|--------------------------|
| EAC |  |  | RU C-<br>DE.AI30.B.01102 |
|-----|---|--|--------------------------|

|                            |   |   |         |
|----------------------------|---|---|---------|
| UL Listed                  |  | <a href="http://database.ul.com/cgi-bin/XYV/template/LISEXT/1FRAME/index.htm">http://database.ul.com/cgi-bin/XYV/template/LISEXT/1FRAME/index.htm</a> | E221474 |
|                            |   |   |         |
| Nominal voltage UN         | 60 V  |   |         |
| Nominal current IN         | 4 A   |   |         |
| mm <sup>2</sup> /AWG/kcmil | 26-18   |   |         |

|                            |   |   |         |
|----------------------------|---|---|---------|
| cUL Listed                 |  | <a href="http://database.ul.com/cgi-bin/XYV/template/LISEXT/1FRAME/index.htm">http://database.ul.com/cgi-bin/XYV/template/LISEXT/1FRAME/index.htm</a> | E221474 |
|                            |   |   |         |
| Nominal voltage UN         | 60 V  |   |         |
| Nominal current IN         | 4 A   |   |         |
| mm <sup>2</sup> /AWG/kcmil | 26-18   |   |         |

|              |   |  |  |
|--------------|---|--|--|
| cULus Listed |  |  |  |
|--------------|---|--|--|

Phoenix Contact 2019 © - all rights reserved  
<http://www.phoenixcontact.com>

PHOENIX CONTACT GmbH & Co. KG  
 Flachsmarktstr. 8  
 32825 Blomberg  
 Germany  
 Tel. +49 5235 300  
 Fax +49 5235 3 41200  
<http://www.phoenixcontact.com>