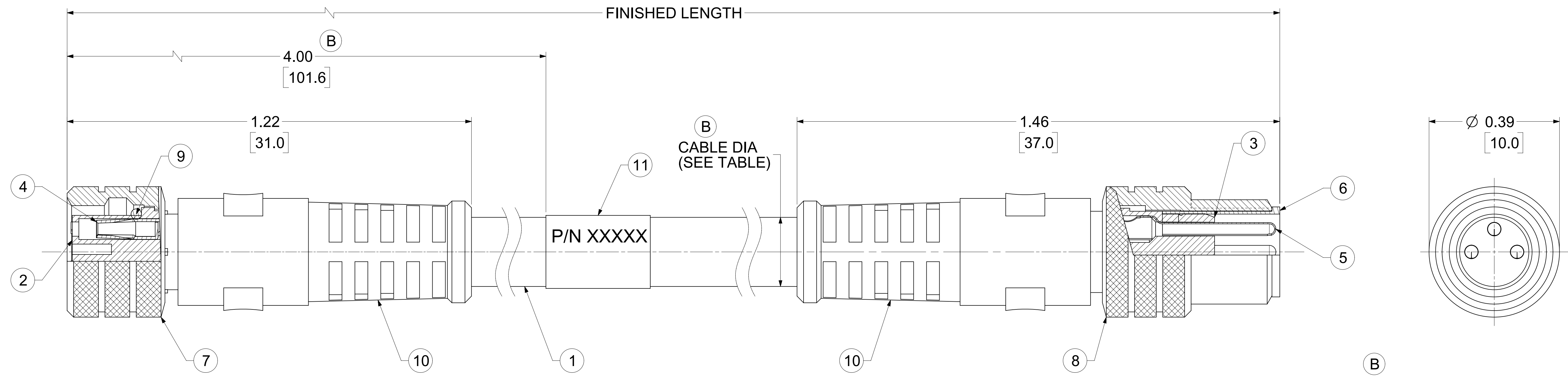
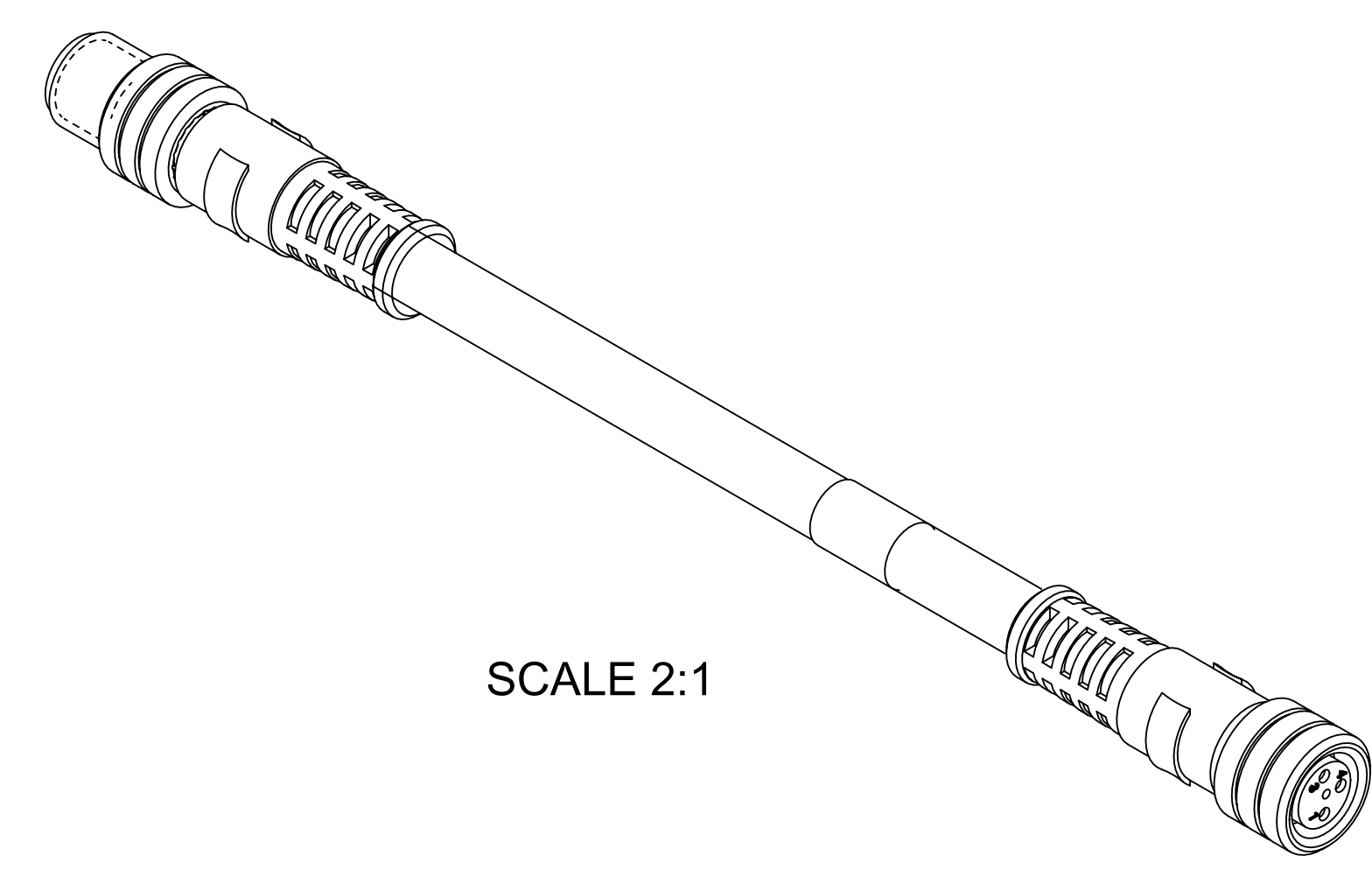


MATERIAL NO.	ENGINEERING NO.	FINISHED LENGTH
1200870074	443030A10M010	1M [3 FT 3 IN]
1200870098	444030A10M050	5M [16 FT 5 IN]
1200871070	445030A10M160	16M [52 FT 5.9 IN]

FEMALE INSERT FRONT VIEW			MALE INSERT FRONT VIEW		
3 POLE	4 POLE	5 POLE	3 POLE	4 POLE	5 POLE
1 BROWN 3 BLUE 4 BLACK	1 BROWN 2 WHITE 3 BLUE 4 BLACK	1 BROWN 2 WHITE 3 BLUE 4 BLACK 5 GREY	1 BROWN 3 BLUE 4 BLACK	1 BROWN 2 WHITE 3 BLUE 4 BLACK	1 BROWN 2 WHITE 3 BLUE 4 BLACK 5 GREY



- NOTES:
1. MATERIAL: AS NOTED
 2. FINISH: AS NOTED
 3. ELECTRICAL:
VOLTAGE: 60VAC/75VDC
CURRENT: 4A (3&4 POLE), 3A (5 POLE)
 4. TEMP RATING: -20°C TO +105°C
 5. PROTECTION: IP67 (WHEN MATED)
 6. COUPLING THREAD: M8x1
 7. UL LISTED FILE: E152210
CSA CERTIFIED FILE: LR6837
 8. ALL DIMS ARE FOR REFERENCE UNLESS TOLERANCED OR NOTED OTHERWISE

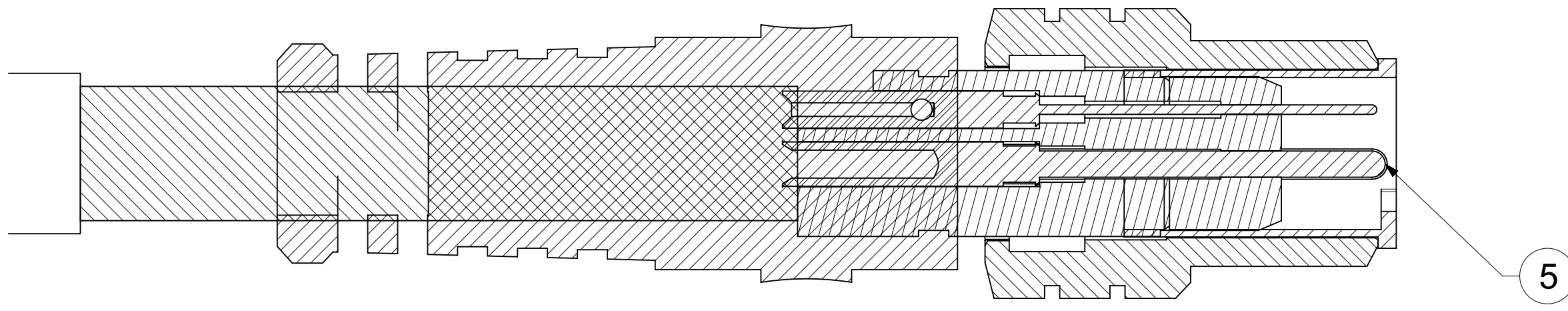
PART NUMBER LEGEND

443030A10M050

3- 3 POLES
4- 4 POLES
5- 5 POLES

FINISHED LENGTH
M001 = .1 METER
M010 = 1 METER
M100 = 10 METER

A240= 24 INCHES
F001= .1 FT
F020= 2 FT
F200= 20 FT



11	WRAP LABEL	VINYL	BLACK/YELLOW
10	OVERMOLD	TPC	YELLOW
9	GASKET	VITON	RED
8	MALE COUPLING NUT	BRASS	NICKEL PLATED
7	FEMALE COUPLING NUT	BRASS	NICKEL PLATED
6	MALE SLEEVE	BRASS	COPPER/NICKEL
5	PIN CONTACT	Cu ALLOY	GOLD OVER NICKEL
4	SOCKET CONTACT	Cu ALLOY	GOLD OVER NICKEL
3	MALE INSERT	PUR	BLACK
2	FEMALE INSERT	PUR	BLACK
1	CABLE, 3-5P, 24AWG, PVC	PVC JACKET	YELLOW
ITEM	DESCRIPTION	MATERIAL	FINISH

POLES	CABLE DIA.
3	0.17
4	0.18
5	0.20

CABLE LENGTH TOLERANCES

<.3M [1FT]: +19mm-0 [+1.75in-0]
 .3 - .9M [1 - 3FT]: +44.5mm-0 [+1.75in-0]
 .9 - 1.8M [3 - 6FT]: +55.6mm-0 [+2.19in-0]
 1.8 - 3.7M [6 - 12FT]: +88.9mm-0 [+3.50in-0]
 3.7 - 7.3M [12 - 24FT]: +165.1mm-0 [+6.50in-0]
 7.3-14.6M [24 - 48FT]: +317.5mm-0 [+12.50in-0]
 14.6 - 30.5M [48-100FT]: +622.3mm-0 [+24.50in-0]
 OVER 30M [100FT] +2% OF FINISHED LENGTH

FUNCTIONAL SYMBOLS		THIS DRAWING CONTAINS INFORMATION THAT IS PROPRIETARY TO MOLEX ELECTRONIC TECHNOLOGIES, LLC AND SHOULD NOT BE USED WITHOUT WRITTEN PERMISSION	
FA = 0	DIMENSION UNITS: INCH/MM	SCALE: 6:1	CURRENT REV DESC: ITEM 10 WAS TPE & MATERIAL TABLE. ADDED STD. NOTES, PART NUMBER LEGEND, TOL. TABLE, CABLE DIA. REMOVED 4&5 POLE INFO TO CREATE SEPARATE PSD.
FC = 0	GENERAL TOLERANCES (UNLESS SPECIFIED)		EC NO: 701162
FE = 0	4 PLACES ±	±	DRWN: AKABADI 2021/09/23
3 PLACES ±	±	±	CHK'D: RSTONE 2022/03/30
2 PLACES ±	±	±	APPR: BWOODMAN 2022/04/08
1 PLACE ±	±	±	INITIAL REVISION:
0 PLACES ±	±	±	DRWN: NKUMAR01 16/07/09
ANGULAR TOL ± °	± °	± °	APPR: JFMURPHY 16/07/09
DRAFT WHERE APPLICABLE MUST REMAIN WITHIN DIMENSIONS	THIRD ANGLE PROJECTION	DRAWING: D-SIZE	SERIES: 120087
DOCUMENT NUMBER: SD-120087-092		DOC TYPE: PSD	DOC PART: 001
CUSTOMER: GENERAL MARKET		SHEET NUMBER: 1 OF 1	