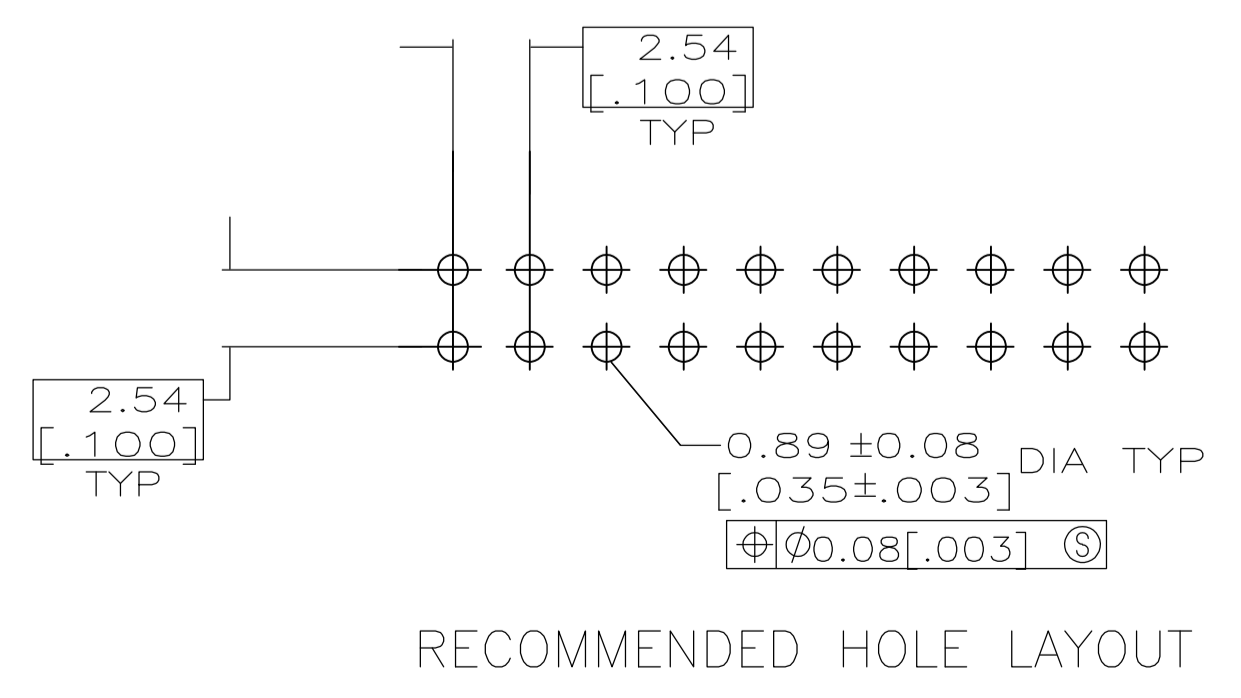
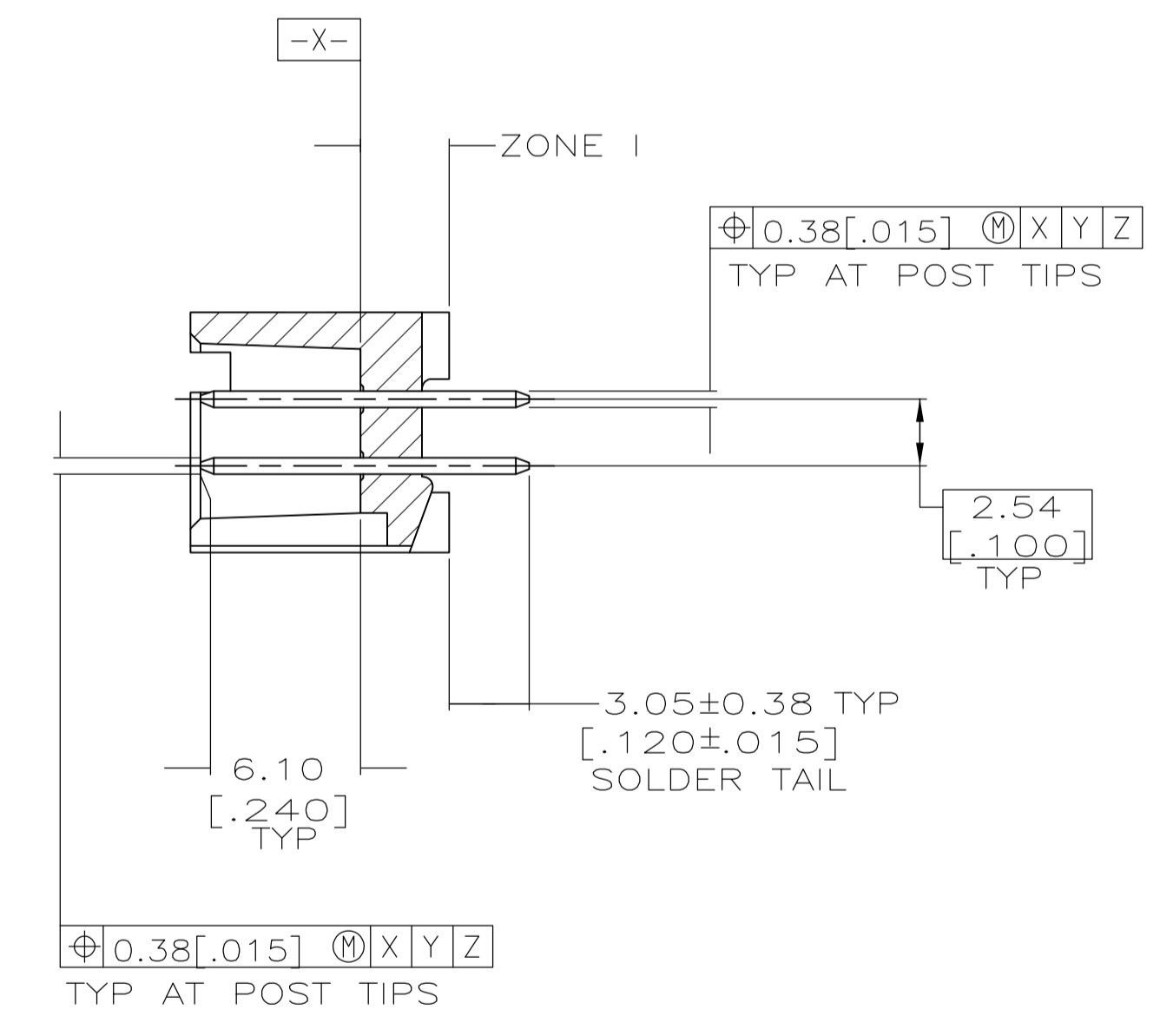
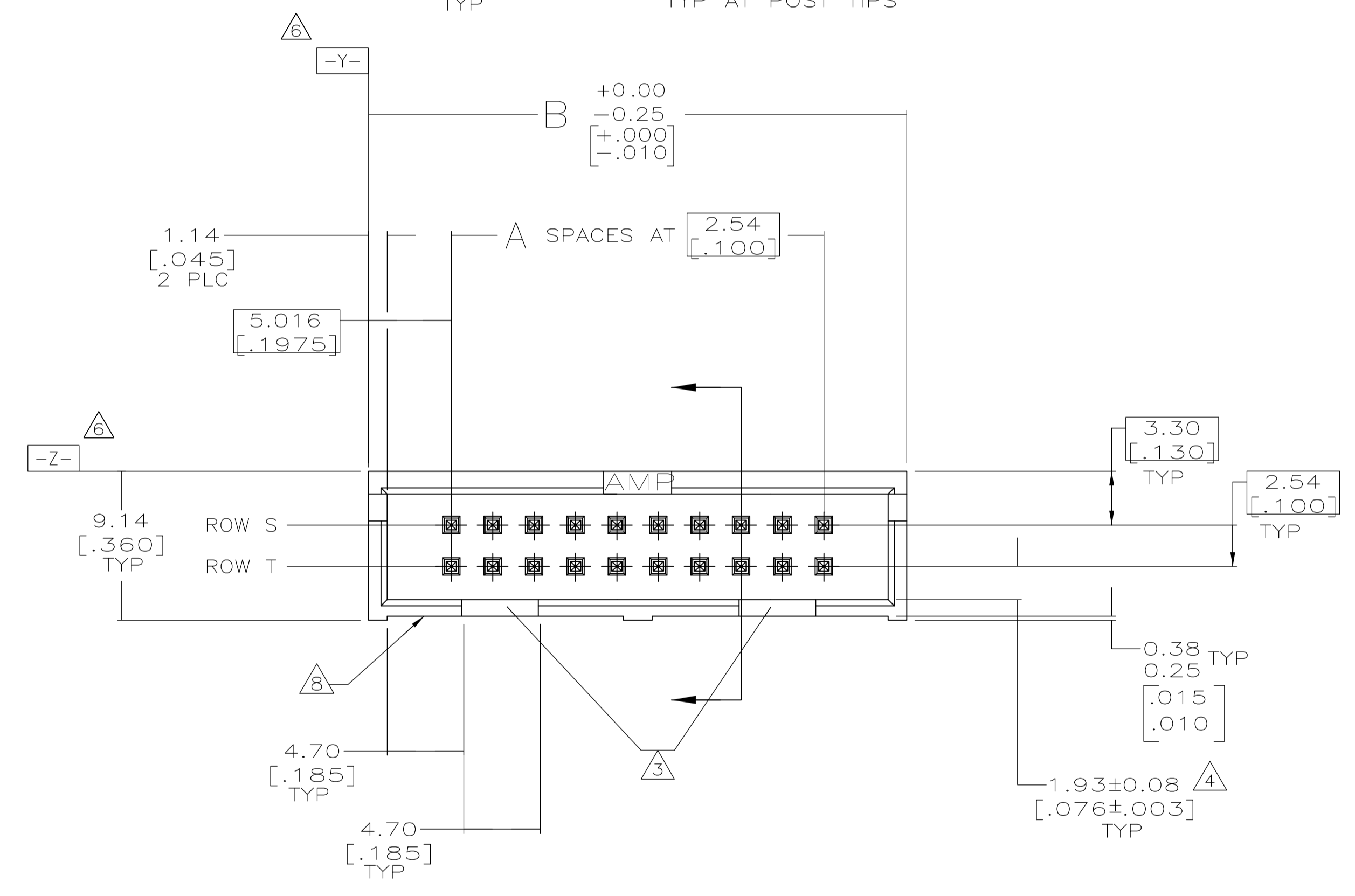


- △ HOUSING: GLASS FILLED NYLON OR PBT, BLACK, UL 94V-0 RATED.
POST: BRASS.
- △ POSTS: GOLD FLASH OVER PALLADIUM-NICKEL PLATE, 0.76µm[.000030] MIN TOTAL ON THE MATING SURFACES, 2.54µm[.000100] MIN TIN-LEAD PLATE ON THE SOLDER-TAILS, 1.27µm[.000050] MIN NICKEL UNDERPLATE ON THE ENTIRE POST.
-OR-
0.76µm[.000030] MIN GOLD PLATE ON THE MATING SURFACES, 2.54µm[.000100] MIN TIN-LEAD PLATE ON THE SOLDER-TAILS, 1.27µm[.000050] MIN NICKEL UNDERPLATE ON THE ENTIRE POST.
- △ DOUBLE BAR POLARIZATION.
- △ DIMENSION APPLIES AT THE INTERSECTION OF THE POST AND HOUSING.
- △ CENTER POLARIZATION SLOT.
- △ DATUM Y AND Z APPLY ONLY IN ZONE I.
- △ NUMBER 1 POSITION INDICATOR.
- △ OPTIONAL AMP IDENTIFICATION NUMBER (DATE CODE). LOCATION APPROXIMATELY WHERE SHOWN.



4	NONE	33.02 [1.300]	9	20	111996-5
ROW T	ROW S				
POST OMITTED LOCATION	B	A	NO OF POSN	PART NUMBER	

THIS DRAWING IS A CONTROLLED DOCUMENT.

DIMENSIONS: mm [INCHES]	TOLERANCES UNLESS OTHERWISE SPECIFIED: 0 PLC ± - 1 PLC ± - 2 PLC ± 0.13 [.005] 3 PLC ± - 4 PLC ± - ANGLES ± -	DIN C. REIFSNYDER 11 NOV 96 CIK J. MOSIER 12 NOV 96 APVD J. MOSIER 12 NOV 96	Tyco Electronics Corporation Harrisburg, PA 17105-3608
MATERIAL	FINISH	SIZE A1 WEIGHT - CUSTOMER DRAWING	NAME 108-40018 APPLICATION SPEC

HEADER ASSEMBLY, LOW PROFILE, AMP-LATCH

SCALE 4:1 SHEET 1 OF 1 REV F