

PLEASE CHECK WWW.MOLEX.COM FOR LATEST PART INFORMATION

Part Number: **0190190035**
Status: **Active**
Overview: Standard Quick-Disconnect Terminals
Description: Avikrimp Quick Disconnect, Female, for 14-16 (2.00-1.30mm²) Wire, Box, Tab 5.21 x 0.81mm

Documents:

[Drawing \(PDF\)](#) [Product Specification PS-19902-014-001 \(PDF\)](#)
[Product Specification PS-19902-011-001 \(PDF\)](#) [RoHS Certificate of Compliance \(PDF\)](#)

General

Product Family Quick Disconnects
Series 19019
Crimp Quality Equipment Yes
Insulated Partial
Overview Standard Quick-Disconnect Terminals
Product Name Avikrimp
Type Quick Disconnect
UPC 800753038301

Physical

Barrel Type Closed
Color - Resin Blue
Gender Female
Glow-Wire Capable No
Insulation Nylon (PA)
Lock to Mating Part None
Material - Metal Brass
Material - Plating Mating Tin
Material - Plating Termination Tin
Net Weight 0.798/g
Orientation Straight
Packaging Type Bag
Polarized to Mating Part No
Tab Thickness 0.81mm
Tab Width 5.21mm
Temperature Range - Operating -65° to +105°C
Wire Insulation Diameter 3.50mm max.
Wire Size AWG 14, 16
Wire Size mm² 1.30-2.00

Electrical

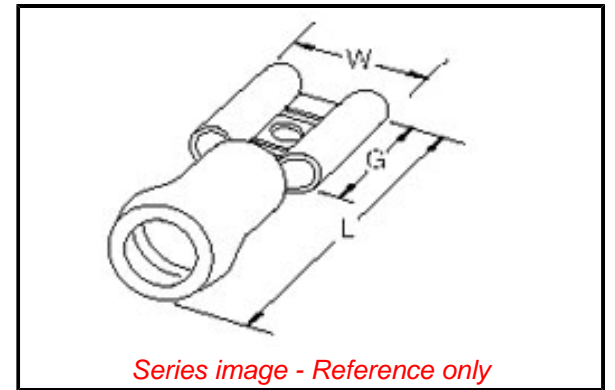
Voltage - Maximum 300V

Material Info

Engineering Number BB-8191-032

Reference - Drawing Numbers

Product Specification PS-19902-011-001, PS-19902-014-001
Sales Drawing SD-19019-001



EU ELV

Not Relevant

EU RoHS

Compliant

REACH SVHC

Not Contained Per
-ED/88/2018 (15
January 2019)

Halogen-Free

Status

Low-Halogen

For more information, please visit [Contact US](#)

China ROHS

Not Relevant

ELV

Not Relevant

RoHS Phthalates

Not Contained

Search Parts in this Series

19019 Series

Application Tooling | FAQ

Tooling specifications and manuals are found by selecting the products below. Crimp Height Specifications are then contained in the Application Tooling Specification document.

Global

Description

Product #

PremiumGrade HandCrimp Tool 640010200
Crimp Head for the AT-200 Pneumatic Hand Tool 640050200