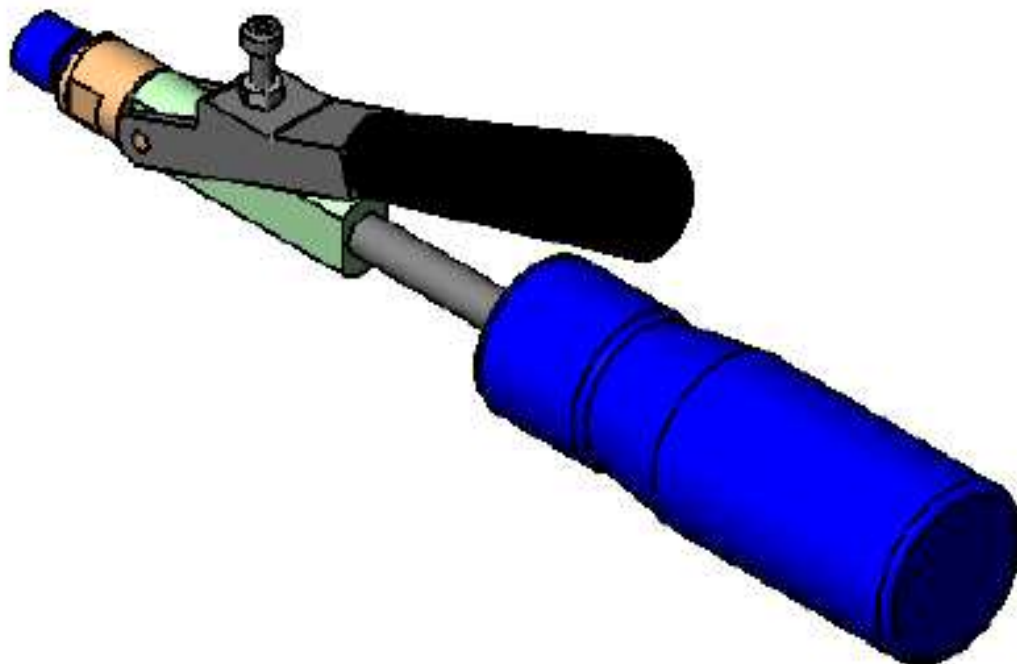


**TORQUE WRENCH****R282.340.000****DIA 5.3 - 280N.CM**Series : **OUT**

## INSTRUCTION FOR USING

1. Open the tool handle .
2. Insert the connector into the tool .  
Make sure that the interface side of connector is thrust inserted in the tool .
3. Close the tool handle .
4. Screw the connector into the panel by tool rotation until the torque click .
5. Open the tool handle .
6. Pull the tool . The connector remains on the panel .

## INVERSION SYSTEM TO EXTRACT THE CONNECTOR

**Issue : 1028 C**

In the effort to improve our product, we reserve the right to make changes judged to be necessary.

