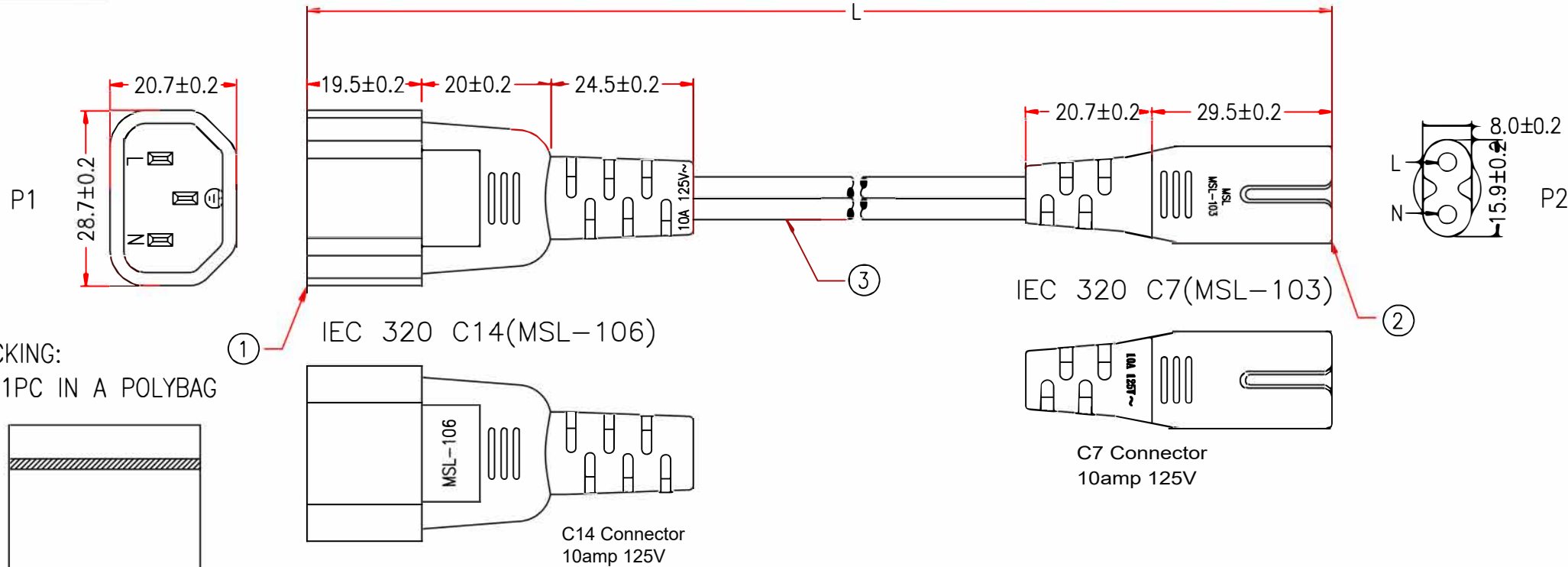


P1: M-053A

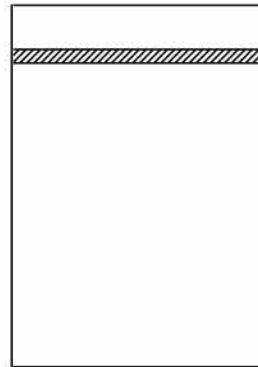
Customer No.:

No.:1

P2: M-052A

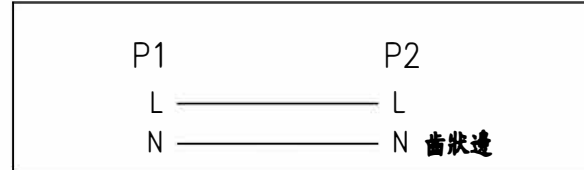
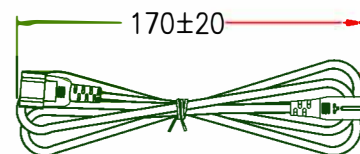


PACKING:
1PC IN A POLYBAG



CABLE MARKING:
 (UL) SPT-2 2/C 18AWG(0.824MM²) VW-1 105°C 300V E204978 CSA
 SPT-2 2/C 0.824MM²(18AWG) FT2 105°C 300V 204790 MSL

PACKING:



NOTE: All relevant materials are complied with RoHS directive .
THE MARKING IS CONCAVE LETTERING MOULD

3	UL SPT-2 18AWG x 2C, OD 3.5*6.9mm, JACKET BLACK, DRAWING No. EPSPT001802C-050	H5TA04-0304K09	L-30mm	M304
2	MOLDED PVC 35P, COLOR BLACK	H1BC02-0304K09		M304
	2.35 BRACKET: YS-031, COLOR BLACK	A1QC03-0767K09	1	M767
1	2.35 TERMINAL: 98714PS-0	A1QB05-0257	2	M257
	MOLDED PVC 35P, COLOR BLACK	H1BC02-0304K09		M304
	BRACKET: YS-014, COLOR BLACK	A1QC10-0767K09	1	M767
	TERMINAL: 2x4mm 98672BS-1	A1QB07-0257	3	M257
No.	DESCRIPTION	Q'TY		Supplier

APPROVED					Cable Length Unless Other Spec. Tolerances: 0 ~200mm ±10mm 201~1000mm ±20mm 1001 ~1500mm ±25mm 1501~2100mm ±30mm 2100mm± ±40mm
CHECKED	HU	1/20/2022	DRAWN NAME	POWER SUPPLY CORDS & CORDS SETS	
DRAWING	XIAO	1/20/2022	PRODUCT NO.	PWCD-C7C14-10A-XXF-BLK	

NOTE: Cable Length Unless Otherwise Spec. Tolerances: Under 6FT ±25mm; Another ±50mm

UNIT: mm