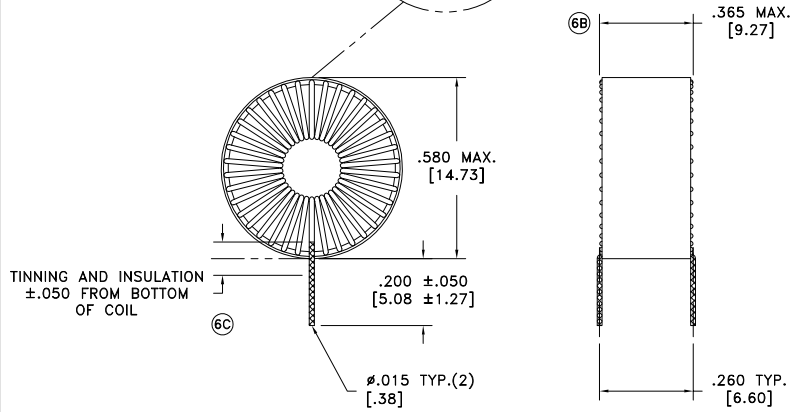


CUSTOMER TERMINAL	RoHS	LEAD(Pb)-FREE
Sn96%, Ag4%	Yes	Yes



WE-MIDCOM  
750311431  
LOT CODE & DATE CODE

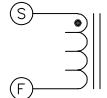


ELECTRICAL SPECIFICATIONS @ 25°C unless otherwise noted:

PARAMETER	TEST CONDITIONS	VALUE
⑥B D.C. RESISTANCE	S-F @20°C	0.57 ohms max.
INDUCTANCE	S-F 100kHz, 100mVAC, Ls	750uH ±20%

GENERAL SPECIFICATIONS:  
CURRENT RATING: 250mADC.

⑥D It is recommended that the 750311431 Inductor be secured to the PCB with epoxy.



DETAILS SUBJECT TO CHANGE

REV.	DATE	Packaging Specifications
6E	6/20	Method: Tray
6D	4/11	PKG-0788
6C	12/10	www.we-online.com/midcom
6B	6/10	SEE REVISION SHEET FOR REVISION LEVEL

Tolerances unless otherwise specified:  
 Angles: ±1°      Decimals: ±.005 [.13]  
 Fractions: ±1/64      Footprint: ⑥C

This drawing is dual dimensioned. Dimensions in brackets are in millimeters.

DRAWING TITLE  
**INDUCTOR**

eiSos p/n: 750311431

PART NO.  
**750311431**

SPECIFICATION SHEET 1 OF 1