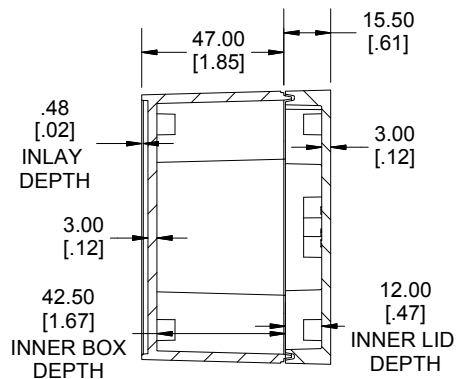
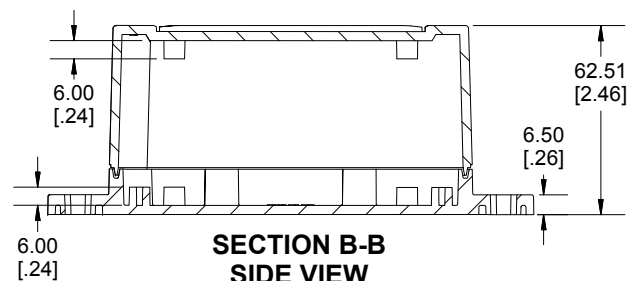
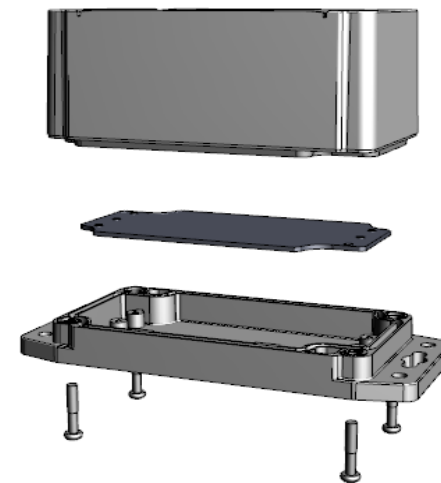


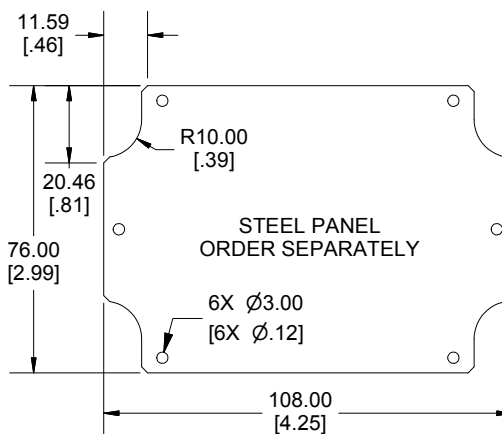
ENCLOSURE ASSEMBLY TOP VIEW



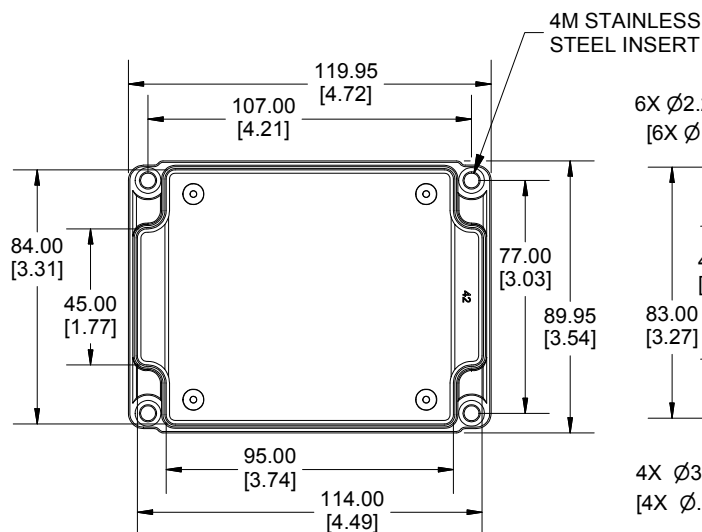
**SECTION A-A
END VIEW**



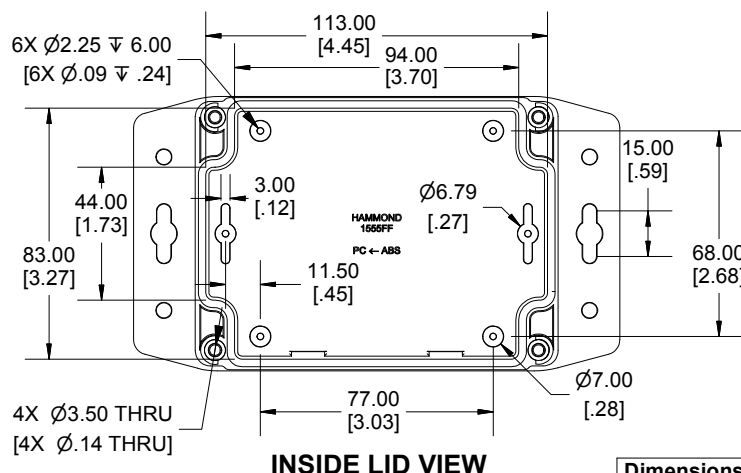
**SECTION B-B
SIDE VIEW**



STEEL PANEL
ORDER SEPARATELY



INSIDE BOX VIEW



INSIDE LID VIEW

Dimensions:
mm
[inches]



Enclosures can be Factory Modified (Milling, Drilling, Printing etc.)
Contact Factory njm@hammondmfg.com for quotes
Solid models of this enclosure available in STEP or IGES.
(Part number and text placement/orientation on our products are subject to change,
we do not recommend using them as a locating reference for modification purposes)

NOTE

Purchased assembly includes styled box, flanged lid, 4 cover screws, and preformed silicone gasket.

General Purpose ABS version is not UL approved. (Matl UL94 - HB)

Polycarbonate version is UL 508 approved. (Matl UL94 - 5VA @ 3mm)

Recommended Cover screw torque -- 2.5 lbf-in (30 cN-m)

1555FF	
1555FF Regular Enclosure	
General Purpose ABS RAL-7035	1555FF42GY
Polycarbonate RAL-7035	1555F2F42GY
ACCESSORIES	
Steel Inner Panels	1555FFPL
Steel Panel / P.C. Board Self Tapping Screw [#4 X 1/4" (6.4mm) Plated]	1555TS100
Cover Screws (Pkg 4) [M4 X 20mm Stainless Steel]	SC1554

