

THIS DRAWING IS UNPUBLISHED.

RELEASED FOR PUBLICATION 20

© COPYRIGHT 20

ALL RIGHTS RESERVED.



REVISIONS

P	LTR	DESCRIPTION	DATE	DWN	APVD
	F	REVISED PER ECO-17-014200	26SEP2017	JPS	JLM
	G	ADDED 2--4; 2--5 ECO-18-001995	30JAN2018	CR	JLM
	H	REVISED PER ECO-18-003884	12MAR2018	AP	JLM
	H2	REVISED PER ECO-19-013922	05SEP2019	SJ	JH

NOTES: UNLESS OTHERWISE SPECIFIED.

- 1 MINI COAX CABLE DIAMETER 1.13 mm TERMINATED WITH U.FL CONNECTOR OR MHF4L SEE TABLE.
- 2. PRODUCT AND PROCESSING MEETS REQUIREMENTS OF TE CONNECTIVITY ENVIROMENTAL STANDARD TEC-138-702.
- 3 4 DIGIT DATE CODE.
- 4. FOR DESIGNS UTILIZING 1513472-1 OR 1513472-5 PLEASE SEE TYCO ELECTRONICS DSI513472-1 OR DSI513472-5 RESPECTIVELY.
- 5 FOAM LOCATED INTERNAL ABOVE ANTENNA ELEMENT.

5	-	830±5.0	BLACK	UAM W U.FL+FOAM	2-1513472-6
-	-	500±5.0	GRAY	UAM W MHF4L	2-1513472-5
-	-	500±5.0	BLACK	UAM W MHF4L	2-1513472-4
-	-	600±5.0	BLACK	UAM W MHF4L	2-1513472-3
-	-	210±5.0	BLACK	UAM W MHF4L	2-1513472-0
-	-	85±5.0	GRAY	UAM W MHF4L	1-1513472-9
-	-	210±5.0	BLACK	UAM W U.FL	1-1513472-8
5	-	360±5.0	BLACK	UAM W U.FL+FOAM	1-1513472-7
5	-	250±5.0	BLACK	UAM W U.FL+FOAM	1-1513472-6
-	-	270±5.0	BLACK	UAM W MHF4L	1-1513472-5
-	-	130±5.0	GRAY	UAM W MHF4L	1-1513472-4
-	-	360±5.0	BLACK	UAM W MHF4L	1-1513472-3
-	-	80±5.0	BLACK	UAM W U.FL	1-1513472-2
-	-	345±5.0	BLACK	UAM W U.FL W PROT-TUBE	1-1513472-0
-	-	235±5.0	WHITE	UAM W U.FL	1513472-9
-	-	250±5.0	BLACK	UAM W U.FL	1513472-8
-	X	590±10.0	BLACK	UAM W U.FL+HS SHEET3	1513472-7
-	-	265±5.0	BLACK	UAM W U.FL	1513472-6
-	-	360±5.0	BLACK	UAM W U.FL	1513472-5
-	-	595±5.0	BLACK	UAM W U.FL	1513472-1
FOAM	HEAT SHRINK	CABLE LENGTH "A"	CABLE COLOR	DESCRIPTION CONNECTOR	PART NUMBER

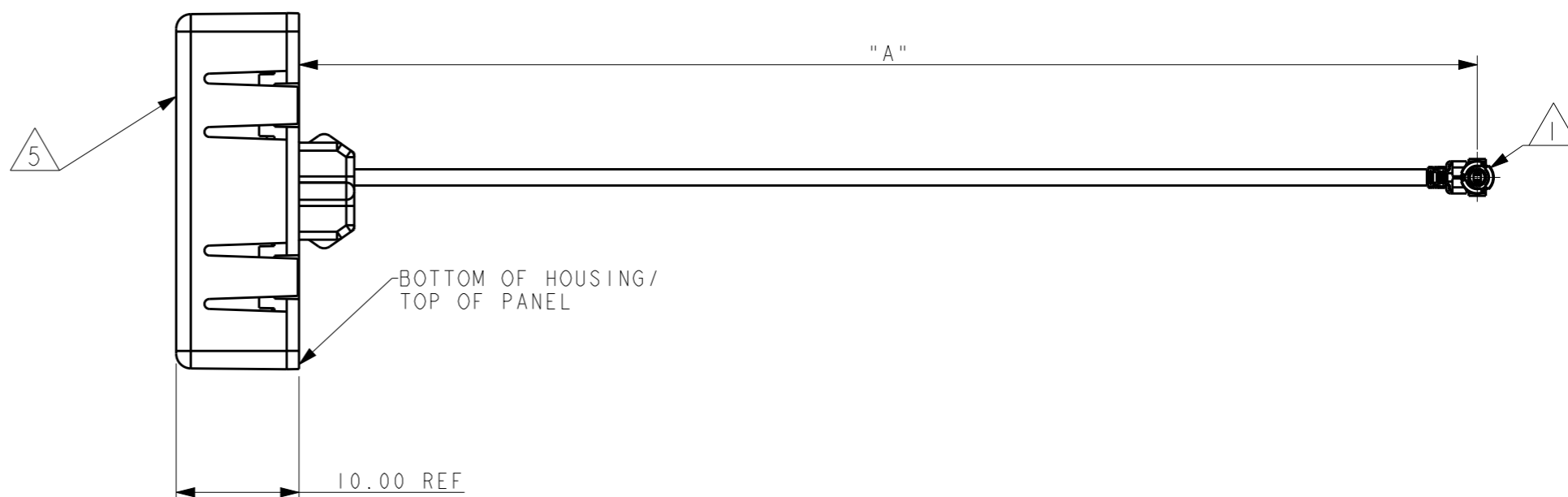
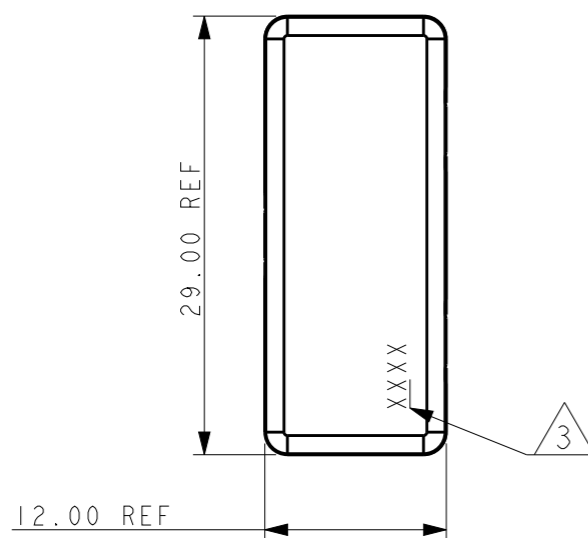
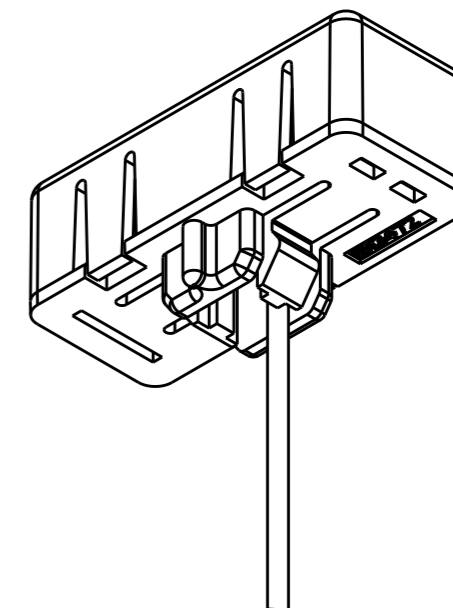
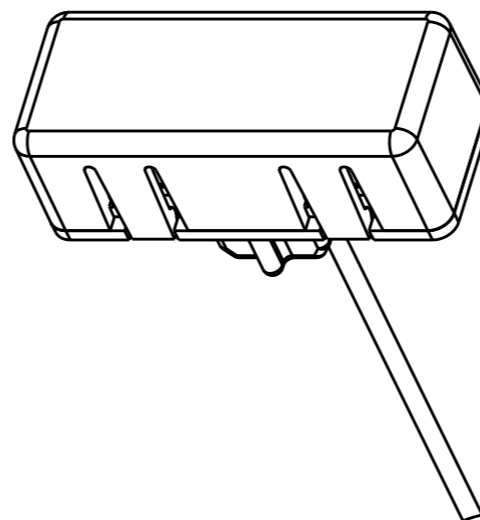
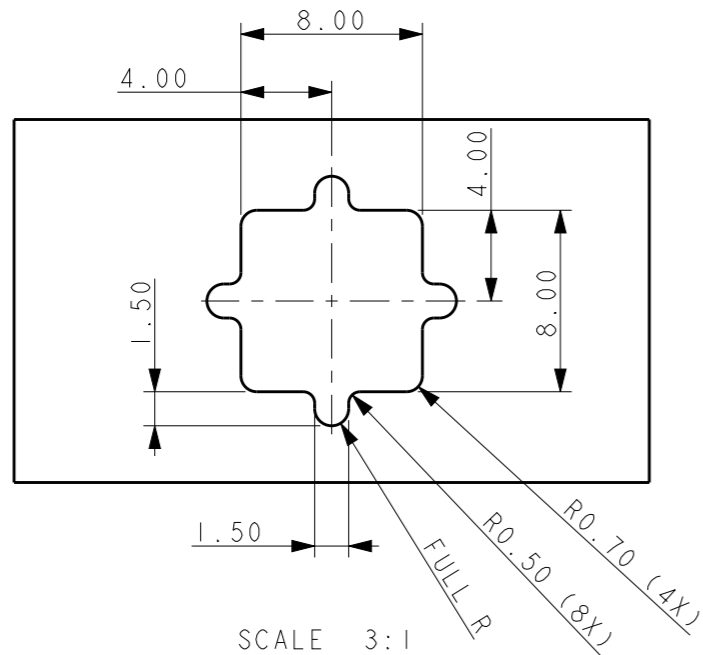
THIS DRAWING IS A CONTROLLED DOCUMENT.		DWN APV	25FEB2009	 TE Connectivity	
DIMENSIONS: mm		CHK	-		
		TOLERANCES UNLESS OTHERWISE SPECIFIED:		NAME UNIVERSAL ANTENNA MODULE (UAM) WLAN	
		0 PLC	±-	PRODUCT SPEC	-
MATERIAL		1 PLC	±-	APPLICATION SPEC	-
FINISH		2 PLC	±-	WEIGHT	-
		3 PLC	±-	SIZE CAGE CODE DRAWING NO RESTRICTED TO	
		4 PLC	±-	A300779 C-1513472	
		ANGLES	±-	SCALE 1:1 SHEET 1 OF 3 REV H2	
				CUSTOMER DRAWING	

REVISIONS

P	LTR	DESCRIPTION	DATE	DWN	APVD
-	-	SEE SHEET 1	-	-	-

PANEL CUTOUT DIMENSIONS

(Tolerances .XX ±0.10)
0.8mm MAX THICKNESS



THIS DRAWING IS A CONTROLLED DOCUMENT.

DWN APV 25FEB2009

CHK -

APVD -

PRODUCT SPEC -

APPLICATION SPEC -

WEIGHT -

CUSTOMER DRAWING



TE Connectivity

NAME
UNIVERSAL ANTENNA MODULE (UAM)
WLAN

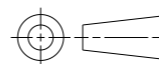
SIZE CAGE CODE DRAWING NO RESTRICTED TO

A300779 C-1513472

SCALE 1:1 SHEET 2 OF 3 REV H2

DIMENSIONS:

mm



TOLERANCES UNLESS OTHERWISE SPECIFIED:

- 0 PLC ±-
- 1 PLC ±-
- 2 PLC ±-
- 3 PLC ±-
- 4 PLC ±-
- ANGLES ±-

MATERIAL

FINISH

4

3

2

1

THIS DRAWING IS UNPUBLISHED.

RELEASED FOR PUBLICATION

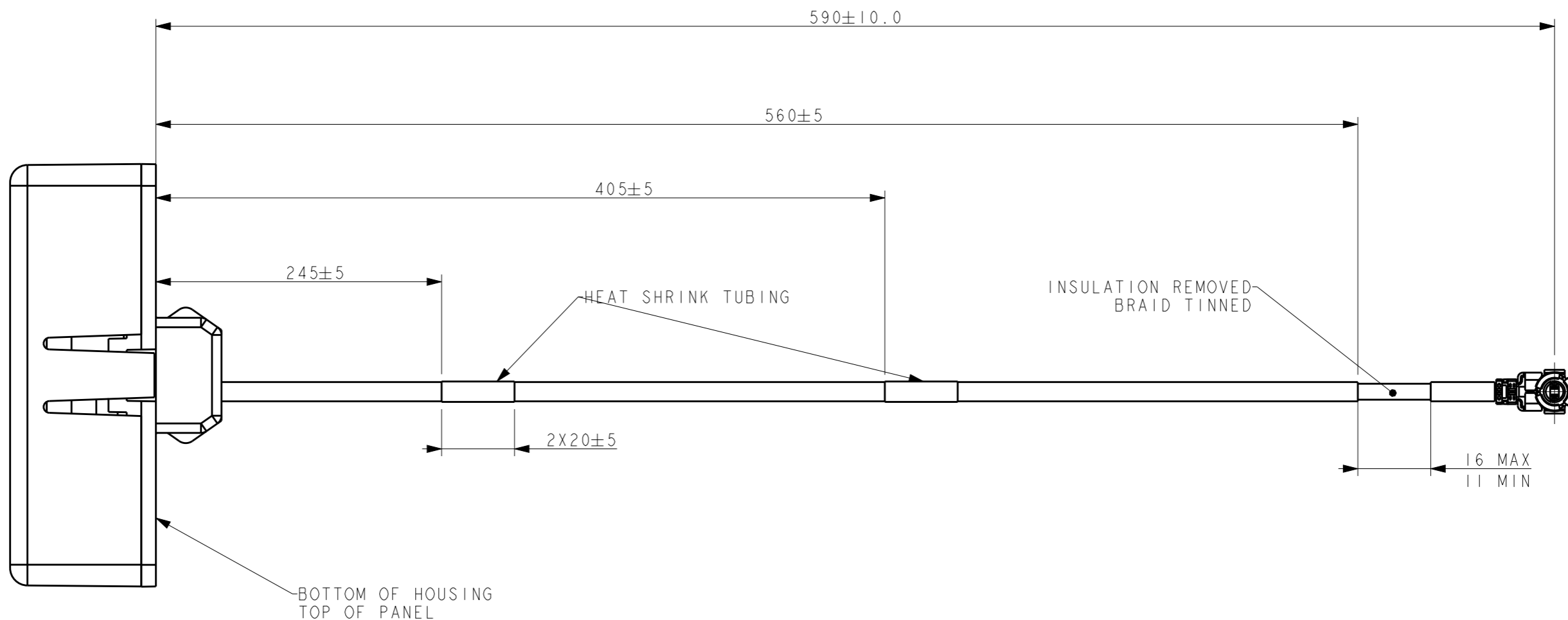
20

© COPYRIGHT 20


ALL RIGHTS RESERVED.

REVISIONS

P	LTR	DESCRIPTION	DATE	DWN	APVD
-	-	SEE SHEET 1	-	-	-



1513472-7 ASSEMBLY ONLY

THIS DRAWING IS A CONTROLLED DOCUMENT.		DWN APV	25FEB2009	 TE Connectivity	
DIMENSIONS: mm		CHK	-		
TOLERANCES UNLESS OTHERWISE SPECIFIED:		APVD	-	NAME UNIVERSAL ANTENNA MODULE (UAM) WLAN	
0 PLC ±-		PRODUCT SPEC	-	SIZE	
1 PLC ±-		APPLICATION SPEC	-	CAGE CODE	DRAWING NO
2 PLC ±-		WEIGHT	-	A300779	C-1513472
3 PLC ±-		CUSTOMER DRAWING	-	SCALE	3:1
4 PLC ±-				SHEET	3 OF 3
ANGLES ±-				REV	H2
FINISH				RESTRICTED TO	
MATERIAL					