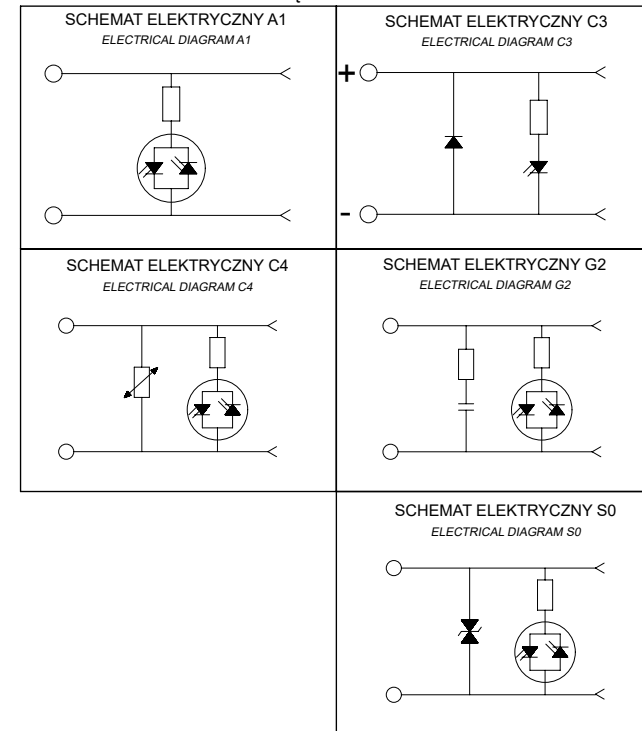


SCHEMATY POŁĄCZEŃ/ WIRING CONFIGURATION



THIS DRAWING CONTAINS INFORMATION THAT IS PROPRIETARY TO MOLEX ELECTRONIC TECHNOLOGIES, LLC AND SHOULD NOT BE USED WITHOUT WRITTEN PERMISSION

DIMENSION UNITS	SCALE	CURRENT REV DESC: REMOVED OBSOLETE PART NUMBER AS PER PCN#511691.	
mm	1:1		
GENERAL TOLERANCES (UNLESS SPECIFIED)			
ANGULAR TOL	±	°	
4 PLACES	±	EC NO: 737858	
3 PLACES	±	DRWN: SANTHN 2023/02/10	
2 PLACES	±	CHK'D: GGA 2023/02/24	
1 PLACE	±	APPR: GGA 2023/02/24	
0 PLACES	±	INITIAL REVISION:	
		DRWN: JMARSZALEK 2013/02/11	
		APPR: MIWASIECZKO 2013/02/12	
DRAFT WHERE APPLICABLE MUST REMAIN WITHIN DIMENSIONS		THIRD ANGLE PROJECTION	DRAWING
		SERIES	MATERIAL NUMBER
		A4-SIZE	121001

molex		
LIGHTS ADAPTORS SERIES A06XXX FOR DIN A		
PRODUCT CUSTOMER DRAWING		
DOCUMENT NUMBER	DOC TYPE	REVISION
SD-121001-006	PSD	001
CUSTOMER	SHEET NUMBER	
GENERAL MARKET	1 OF 2	

DOCUMENT STATUS	P1	RELEASE DATE	2023/02/24	09:13:39
-----------------	----	--------------	------------	----------

PART LIST

MOLEX PN	ENG. NO	CIRCUIT TYPE	LED COLOR
1210010190	A06A12	A1 24V	RED
1210010194	A06A1B	A1 24V	GREEN
1210010197	A06A1H	A1 24V	YELLOW
1210010202	A06C32	C3 24V	RED
1210010206	A06C3B	C3 24V	GREEN
1210010207	A06C3H	C3 24V	YELLOW
1210010210	A06C42	C4 24V	RED
1210010212	A06C44	C4 115V	RED
1210010213	A06C45	C4 230V	RED
1210010214	A06C4B	C4 24V	GREEN
1210010217	A06C4E	C4 230V	GREEN
1210010219	A06C4H	C4 24V	YELLOW
1210010220	A06C4L	C4 115V	YELLOW
1210010221	A06C4M	C4 230V	YELLOW
1210010223	A06G22	G2 24V	RED
1210010226	A06G25	G2 230V	RED
1210010231	A06G2H	G2 24V	YELLOW
1210010233	A06G2L	G2 115V	YELLOW
1210010234	A06G2M	G2 230V	YELLOW
1210010236	A06S02	S0 24V	RED
1210010240	A06S0H	S0 24V	YELLOW
1210010437	A06A1E	A1 230V	GREEN
1210010500	A06S0K	S0 48V	YELLOW

PART No MATRIX



INTERNAL CIRCUIT

VOLTAGE AND LED COLOR

1= 12V	RED LED	A= 12V	GREEN LED	G= 12V	YELLOW LED
2= 24V		B= 24V		H= 24V	
3= 48V		C= 48V		K= 48V	
4= 115V		D= 115V		L= 115V	
5= 230V		E= 230V		M= 230V	

ITEM	QTY	DESCRIPTION	MATERIAL	FINISH/COLOR
5	1	DISTANZIALE LED	-	-
4	1	PCB WITH COMPONENT	-	SEE PART LIST
3	1	CORPO STAMPATO	-	BLACK
2	-	EPOXY ER2188K5K	-	BLACK
1	-	EPOXY ER2188B	-	BLACK

THIS DRAWING CONTAINS INFORMATION THAT IS PROPRIETARY TO MOLEX ELECTRONIC TECHNOLOGIES, LLC AND SHOULD NOT BE USED WITHOUT WRITTEN PERMISSION

DIMENSION UNITS mm	SCALE 1:1	CURRENT REV DESC: REMOVED OBSOLETE PART NUMBER AS PER PCN#511691.					
GENERAL TOLERANCES (UNLESS SPECIFIED)		<p>LIGHTS ADAPTORS SERIES A06XXX FOR DIN A</p> <p>PRODUCT CUSTOMER DRAWING</p>					
ANGULAR TOL	± °						
4 PLACES	±				EC NO: 737858		
3 PLACES	±				DRWN: SANTHN 2023/02/10		
2 PLACES	±				CHK'D: GGA 2023/02/24		
1 PLACE	±				APPR: GGA 2023/02/24		
0 PLACES	±	INITIAL REVISION:	DOCUMENT NUMBER	DOC TYPE	DOC PART	REVISION	
DRAFT WHERE APPLICABLE MUST REMAIN WITHIN DIMENSIONS		THIRD ANGLE PROJECTION	DRAWING	SERIES	MATERIAL NUMBER	CUSTOMER	SHEET NUMBER
			A4-SIZE	121001	SEE PART LIST	GENERAL MARKET	2 OF 2

DOCUMENT STATUS	P1	RELEASE DATE	2023/02/24	09:13:39
-----------------	----	--------------	------------	----------