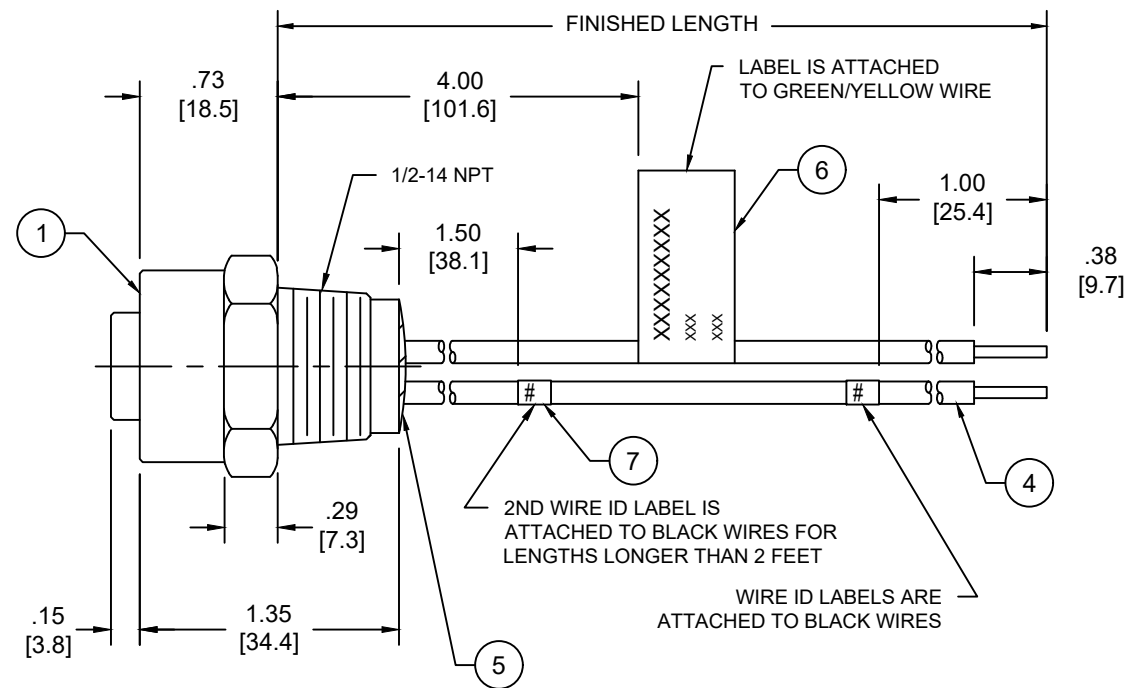
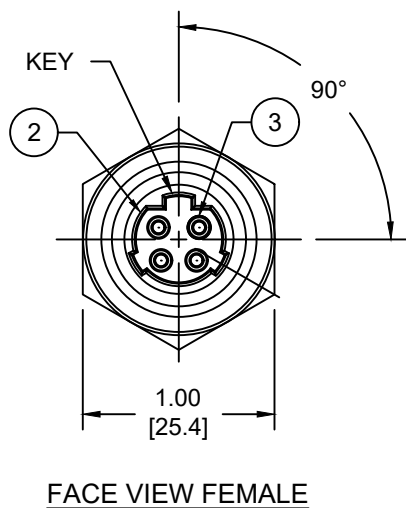
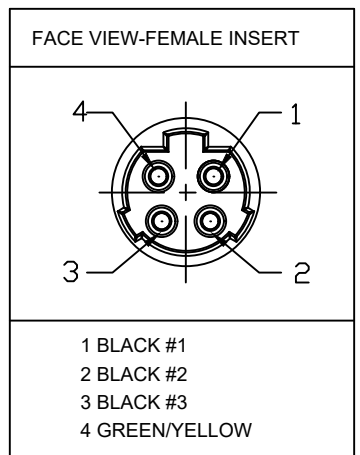
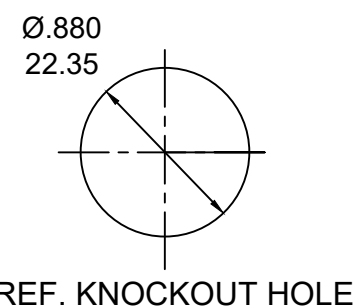


| PART NO | ENGINEERING NO. | FINISHED LENGTH |
|------------|-----------------|------------------|
| 1300660306 | 1R4100A82M005G | 0.5M [1 FT 8 IN] |
| 1300660308 | 1R4100A82M010G | 1M [3 FT 3 IN] |
| 1300660309 | 1R4100A82M020G | 2M [6 FT 7 IN] |
| 1300660310 | 1R4100A82M030G | 3M [9 FT 10 IN] |



- NOTES:
- MATERIAL: AS NOTED
 - FINISH: AS NOTED
 - ELECTRICAL:
VOLTAGE: 483V PER IEC60664 (D)
600V PER UL2237
CURRENT: 15A
 - TEMP RATING: -20°TO +90°C
 - PROTECTION: IP67 (WHEN MATED)
 - COUPLING THREAD: 7/8-16UN
 - UL LISTED FILE: E258922 (D)
 - ALL DIMENSIONS ARE FOR REFERENCE UNLESS TOLERANCED OR NOTED OTHERWISE



PART NUMBER LEGEND
1R4100A82M005G

FINISHED LENGTH:
M005= 0.5 METER
M010= 1 METER
M100= 10 METER

(D)

CABLE LENGTH TOLERANCES

| | |
|--------------------------|-------------------------|
| <.3M [1FT]: | +19mm-0 [+1.75in-0] |
| .3 - .9M [1 - 3FT]: | +44.5mm-0 [+1.75in-0] |
| .9 - 1.8M [3 - 6FT]: | +55.6mm-0 [+2.19in-0] |
| 1.8 - 3.7M [6 - 12FT]: | +88.9mm-0 [+3.50in-0] |
| 3.7 - 7.3M [12 - 24FT]: | +165.1mm-0 [+6.50in-0] |
| 7.3-14.6M [24 - 48FT]: | +317.5mm-0 [+12.50in-0] |
| 14.6 - 30.5M [48-100FT]: | +622.3mm-0 [+24.50in-0] |
| OVER 30M [100FT] | +2% OF FINISHED LENGTH |

| ITEM | DESCRIPTION | MATERIAL | FINISH |
|------|------------------------|------------------|------------------|
| 7 | WIRE ID LABEL | VINYL /POLYESTER | BLACK/WHITE (D) |
| 6 | FLAG LABEL | VINYL | BLACK/YELLOW |
| 5 | POTTING MATERIAL | EPOXY | |
| 4 | WIRE, 14 AWG (UL 1015) | PVC INSULATION | SEE FACE VIEW |
| 3 | CONTACT SOCKET | COPPER ALLOY | GOLD OVER NICKEL |
| 2 | FEMALE INSERT | TPE | BLACK (D) |
| 1 | RECEPTACLE SHELL | ZINC DIE-CAST | NICKEL PLATED |

| FUNCTIONAL SYMBOLS | THIS DRAWING CONTAINS INFORMATION THAT IS PROPRIETARY TO MOLEX ELECTRONIC TECHNOLOGIES, LLC AND SHOULD NOT BE USED WITHOUT WRITTEN PERMISSION | |
|---|---|---|
| THIS DRAWING CONTAINS INFORMATION THAT IS PROPRIETARY TO MOLEX ELECTRONIC TECHNOLOGIES, LLC AND SHOULD NOT BE USED WITHOUT WRITTEN PERMISSION | DIMENSION UNITS | SCALE |
| INCH/MM | NTS | CURRENT REV DESC: ITEM #2 WAS PVC. ADDED ITEM #7, UL NUMBER & TOL CHART. MODIFIED IEC VOLTAGE & PN TABLE. |
| GENERAL TOLERANCES (UNLESS SPECIFIED) | mm | INCH |
| 4 PLACES ±---- | ±---- | ±---- |
| 3 PLACES ±---- | ±---- | ±---- |
| 2 PLACES ±---- | ±---- | ±---- |
| 1 PLACE ±---- | ±---- | ±---- |
| 0 PLACES ±---- | ±---- | ±---- |
| DIVISIONAL SYMBOLS | ANGULAR TOL ± ---- ° | |
| | DRAFT WHERE APPLICABLE MUST REMAIN WITHIN DIMENSIONS | THIRD ANGLE PROJECTION |
| | | DRAWING B-SIZE |
| | | SERIES 130066 |
| | | MATERIAL NUMBER SEE CHART |
| | | CUSTOMER GENERAL MARKET |
| | | SHEET NUMBER 1 OF 1 |

BRAD POWER RECEPTACLE, A-SIZE
4 POLE, FEMALE, TRI-KEY, #14 AWG

PRODUCT CUSTOMER DRAWING

DOCUMENT NUMBER: SD-130066-069
DOC TYPE: PSD
DOC PART: 001
REVISION: 001 D