

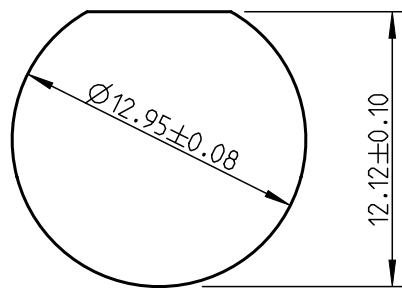
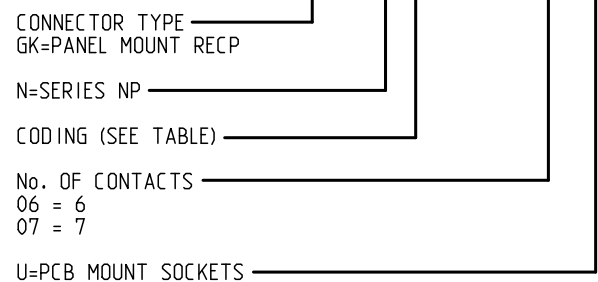
All Rights reserved, including possible patents or trademarks. Documents shall not be provided to a third party or duplicated in any form without prior written permission from ODU-USA.

The iteration describes editorial changes only, which are not specification changes. An iteration change is not required to be released/sampled.

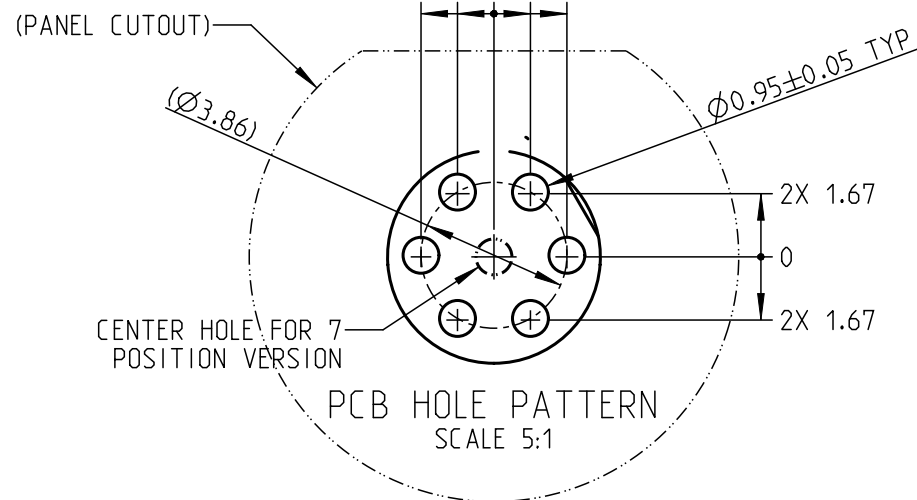
CAD: Creo Parametric

PART NUMBER CONFIGURATION

EXAMPLE: GK6NOP - P06U230 - 0000

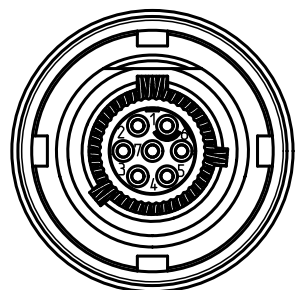
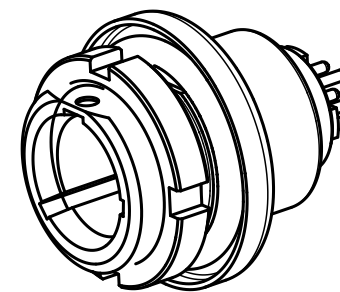


PANEL CUTOUT

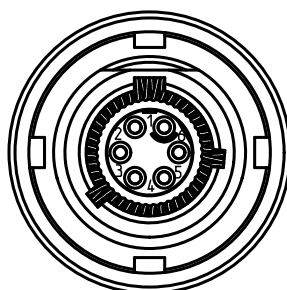


CENTER HOLE FOR 7 POSITION VERSION

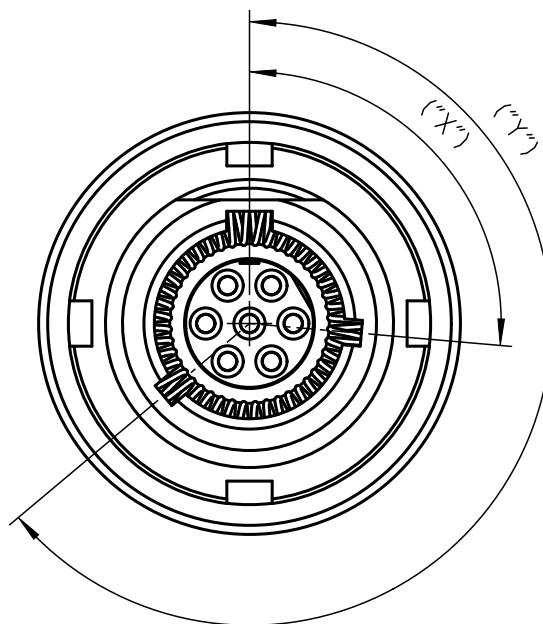
PCB HOLE PATTERN SCALE 5:1



7 POSITION SCALE: 2:1

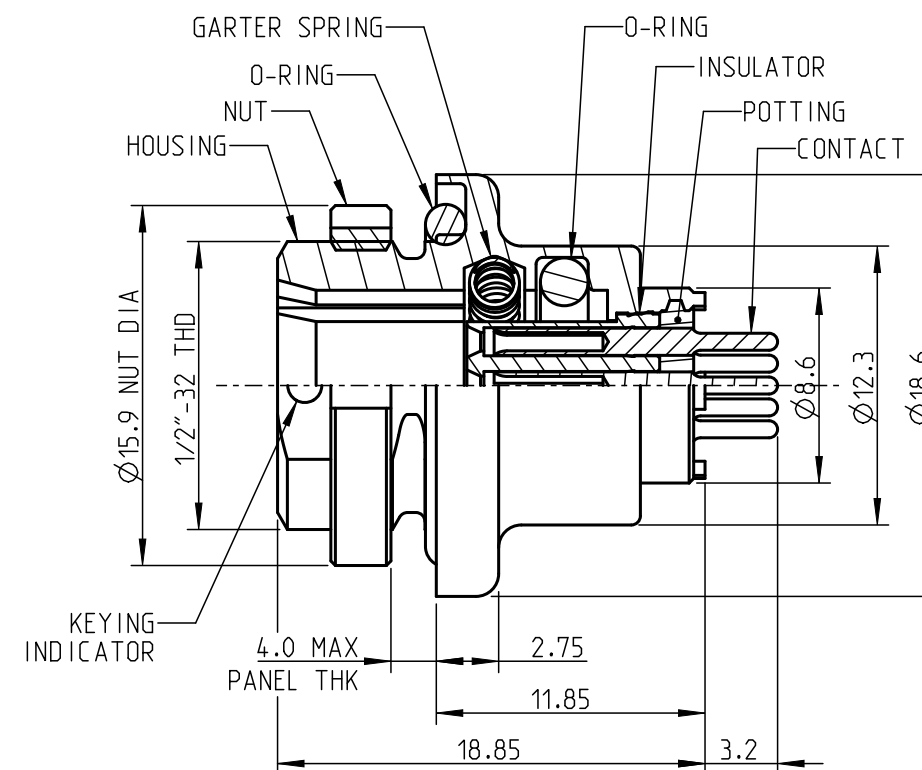


6 POSITION SCALE: 2:1



KEY CODING DETAIL (Viewed from Front)

KEY CODING-X°,Y°	
0	95°, 230°
A	150°, 210°
B	75°, 210°
D	140°, 275°
E	75°, 275°
F	95°, 210°
G	165°, 195°
H	140°, 220°
J	115°, 245°
K	105°, 205°
L	155°, 255°





4. ODU PART NUMBER TO BE PERMANENTLY MARKED ON HOUSING.

3. ELECTRICAL INFORMATION:
 - CONTACT CURRENT RATING: 5A-7.5A
 - TEST VOLTAGE: 750VAC
 - NOMINAL VOLTAGE: 50VAC
 - SHELL TO SHELL RESISTANCE IN MATED CONDITION NOT TO EXCEED 50mΩ
 - OPERATING TEMPERATURE: -18°C to 71°C

2. CONTACTS - SIZE 23 (Ø0.70mm) SOCKETS, PCB TAILS, 0.75 DIA

1. MATERIALS / FINISH:
 HOUSING - ALUM ALLOY / BLACK CARBON OVER ELECTROLESS NICKEL
 INSULATOR - PEEK
 O-RING SEALS - FLOUROSILICONE
 SPRING - STAINLESS STEEL / GOLD PLATE
 CONTACTS - COPPER ALLOY / GOLD PLATE, 1.27um Thk
 POTTING - EPOXY

NOTES: UNLESS OTHERWISE SPECIFIED

 General tol.: DIN ISO 2768-mH Tolerancing: DIN ISO 8015 State: Released		 A PERFECT ALLIANCE.	Description: RECP, PANEL MOUNT, PCB		Material: seeBOM
			ODU AMC NP		Scale: 3:1
Prepared: 15.06.2022 pbair		EC-No.:	Drawing-Id.: Z10292144		Size: B
Changed: 08.09.2022 pbair		Revision: -	Material-Id.:		Dim.: mm
Released: 13.09.2022 RMota		ODU-Id.: GK6N_P-P__U230-0000		Sheet: 1	
Date	Name	Origin:			