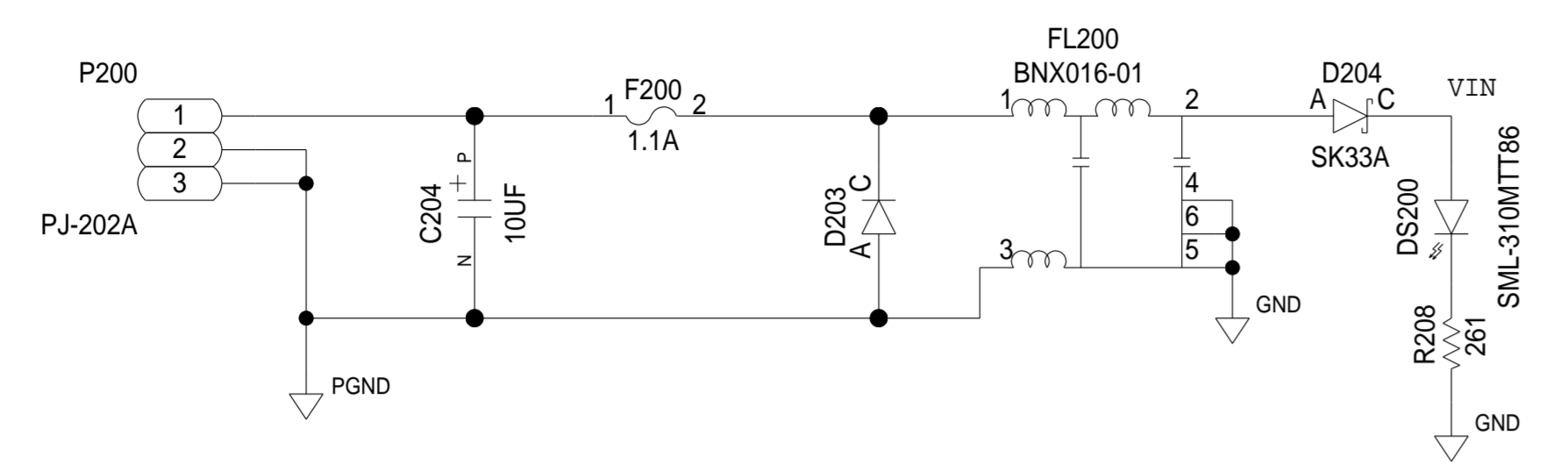


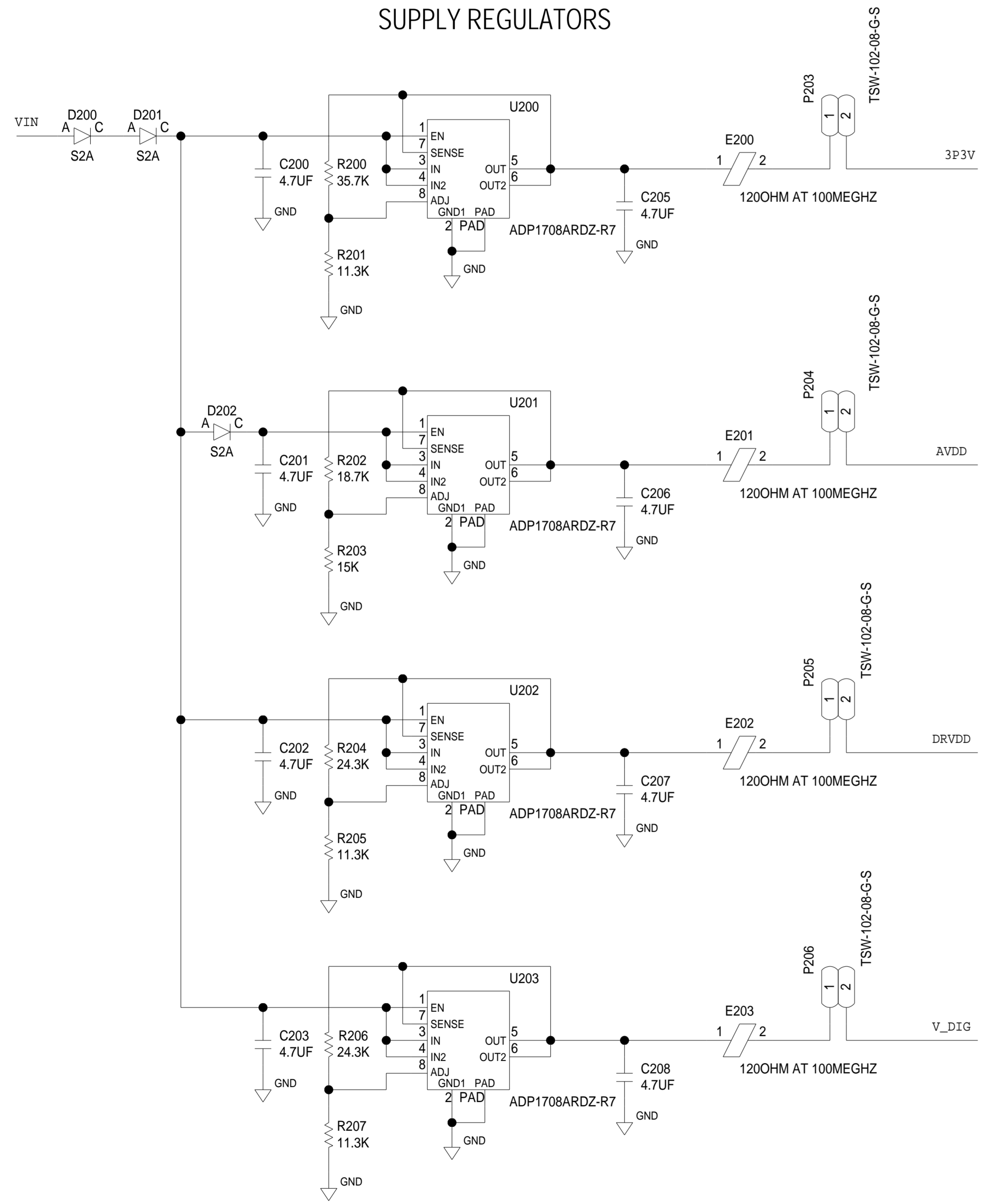


REVISIONS			
REV	DESCRIPTION	DATE	APPROVED

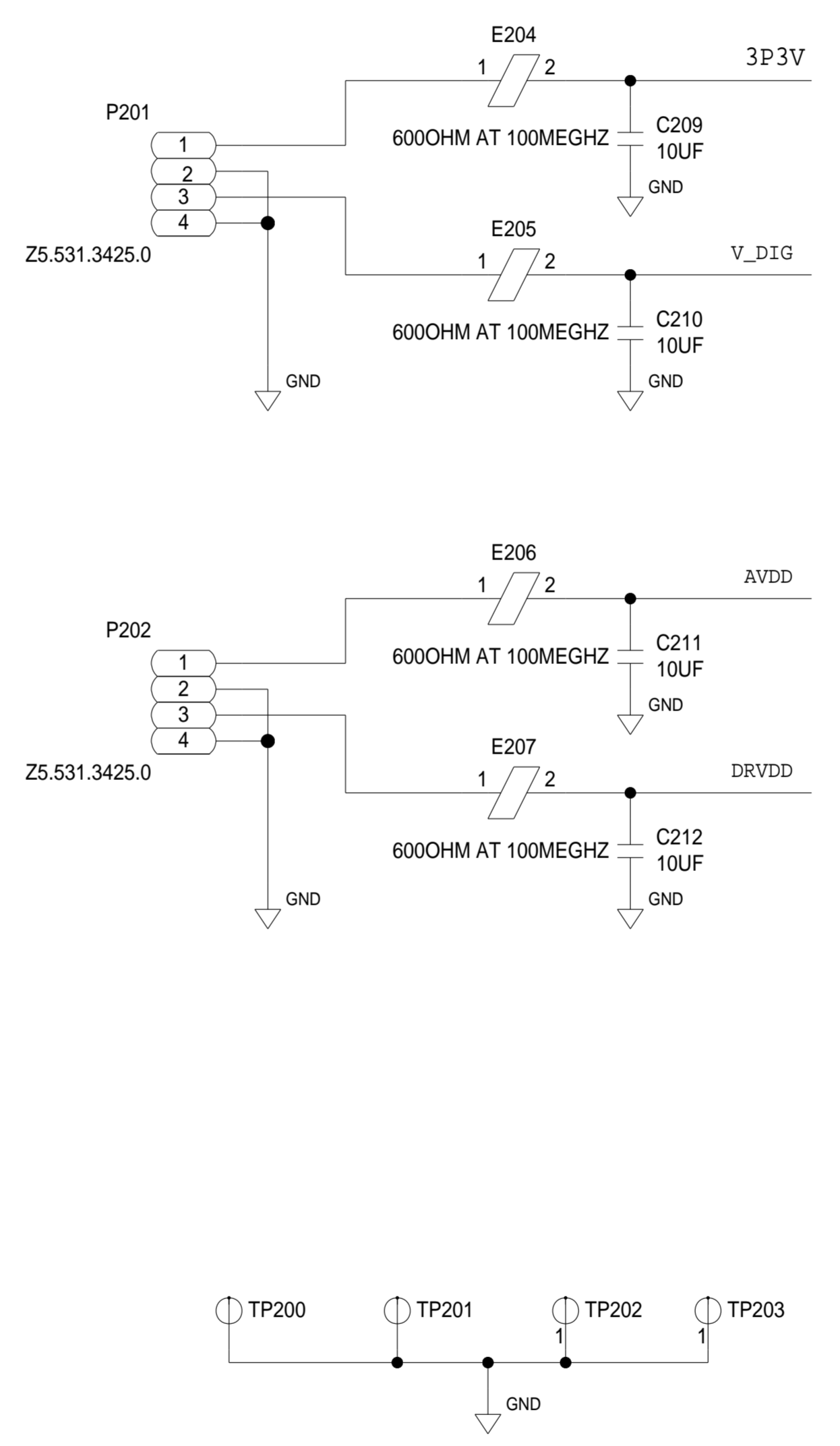
POWER SUPPLY INPUT



SUPPLY REGULATORS



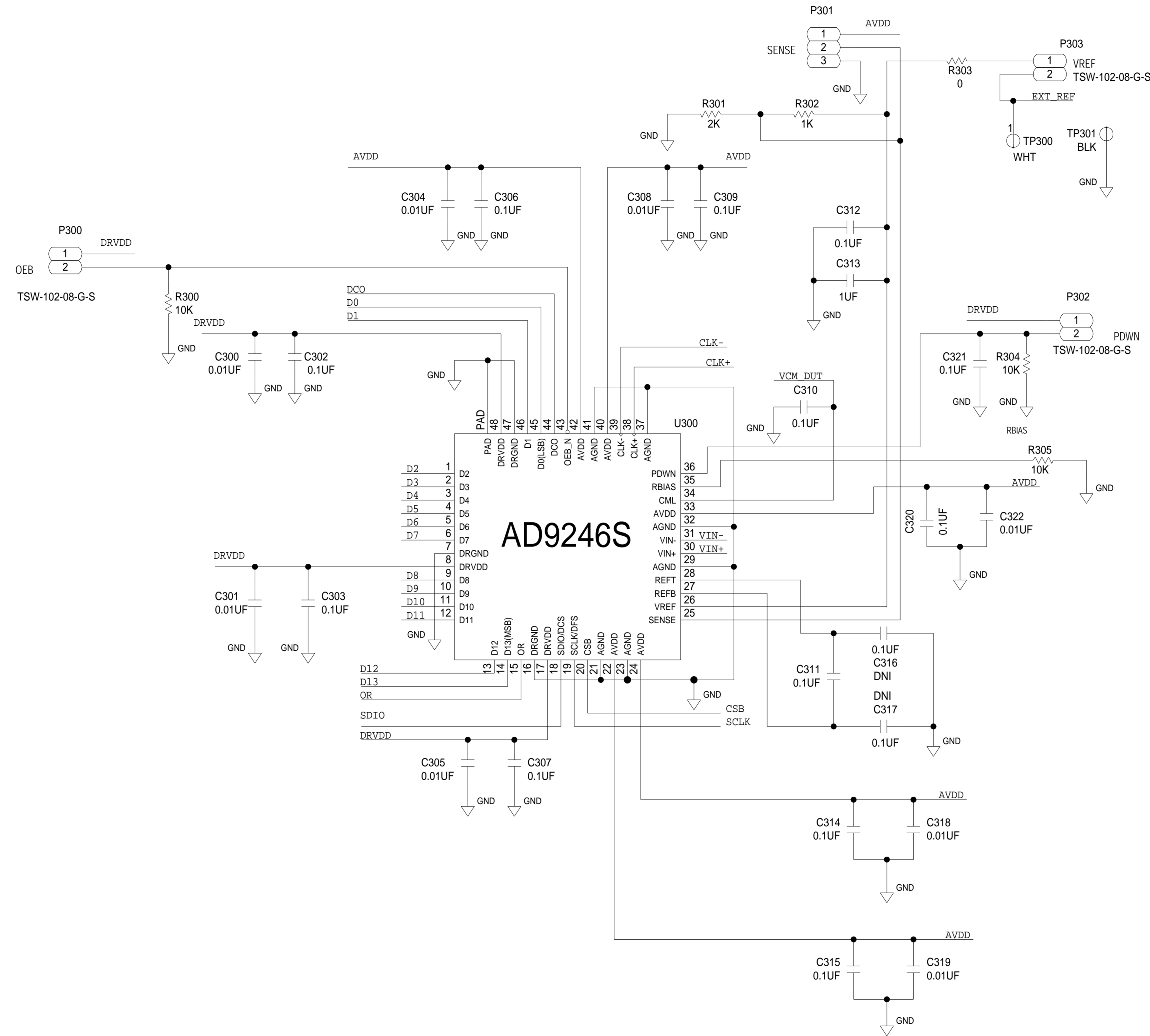
VARIABLE POWER SUPPLY INPUTS



AD9246S  
 AVDD : +1.8V  
 DRVDD : +2.5V  
 REST OF BOARD  
 V\_DIG : +2.5V (SPI, CMOS BUFFER)  
 3P3V : +3.3V (SPI, OTR CIRCUIT)

	<b>SCHEMATIC</b>		
	HW TYPE: EVAL-AD9246S Product(s): AD9246S Package: 48-LD 14.22x14.22MM_CQFP		
	DESIGN VIEW	DRAWING NO. 02_046595	REV A
	PTD ENGINEER <PTD_ENGINEER>	SIZE D	SCALE SHEET 2 OF 6

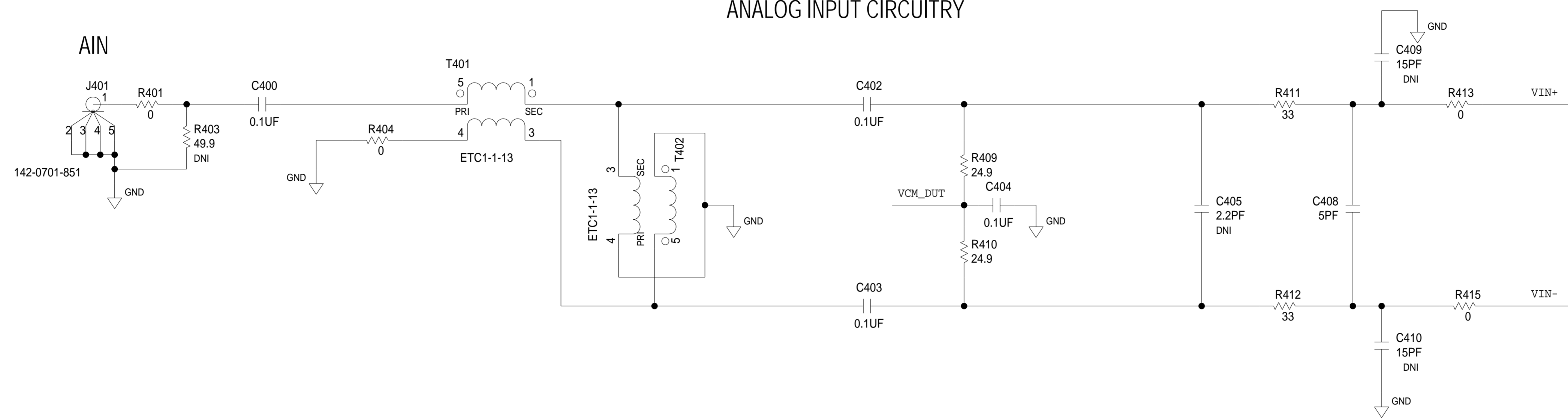
REVISIONS			
REV	DESCRIPTION	DATE	APPROVED



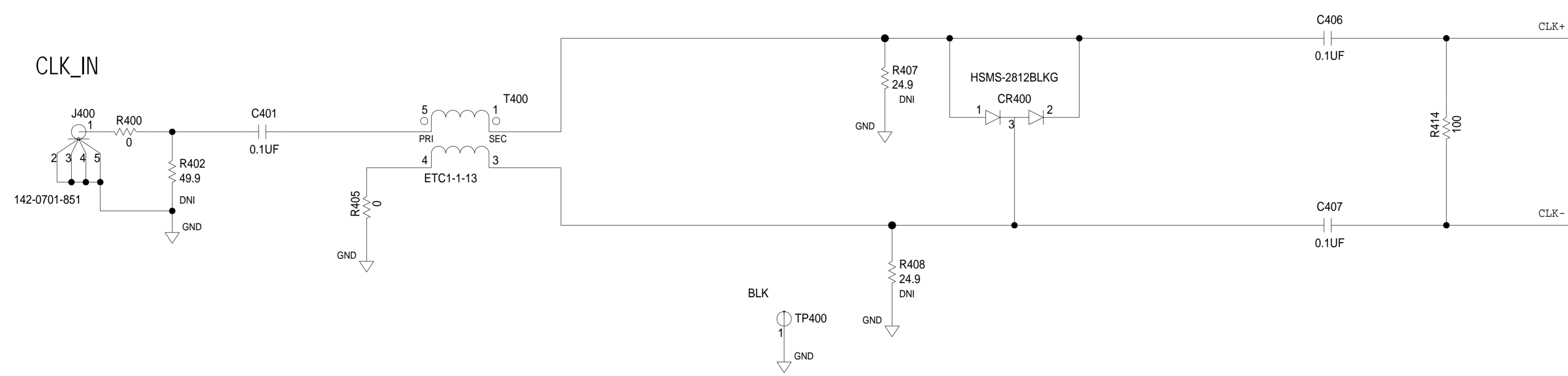
	<b>SCHEMATIC</b>		
	HW TYPE: EVAL-AD9246S Product(s): AD9246S Package: 48-LD 14.22x14.22MM_CQFP		
	DESIGN VIEW	DRAWING NO. 02_046595	REV A
PTD ENGINEER <PTD_ENGINEER>	SIZE D	SCALE	SHEET 3 OF 6

REVISIONS			
REV	DESCRIPTION	DATE	APPROVED

### ANALOG INPUT CIRCUITRY



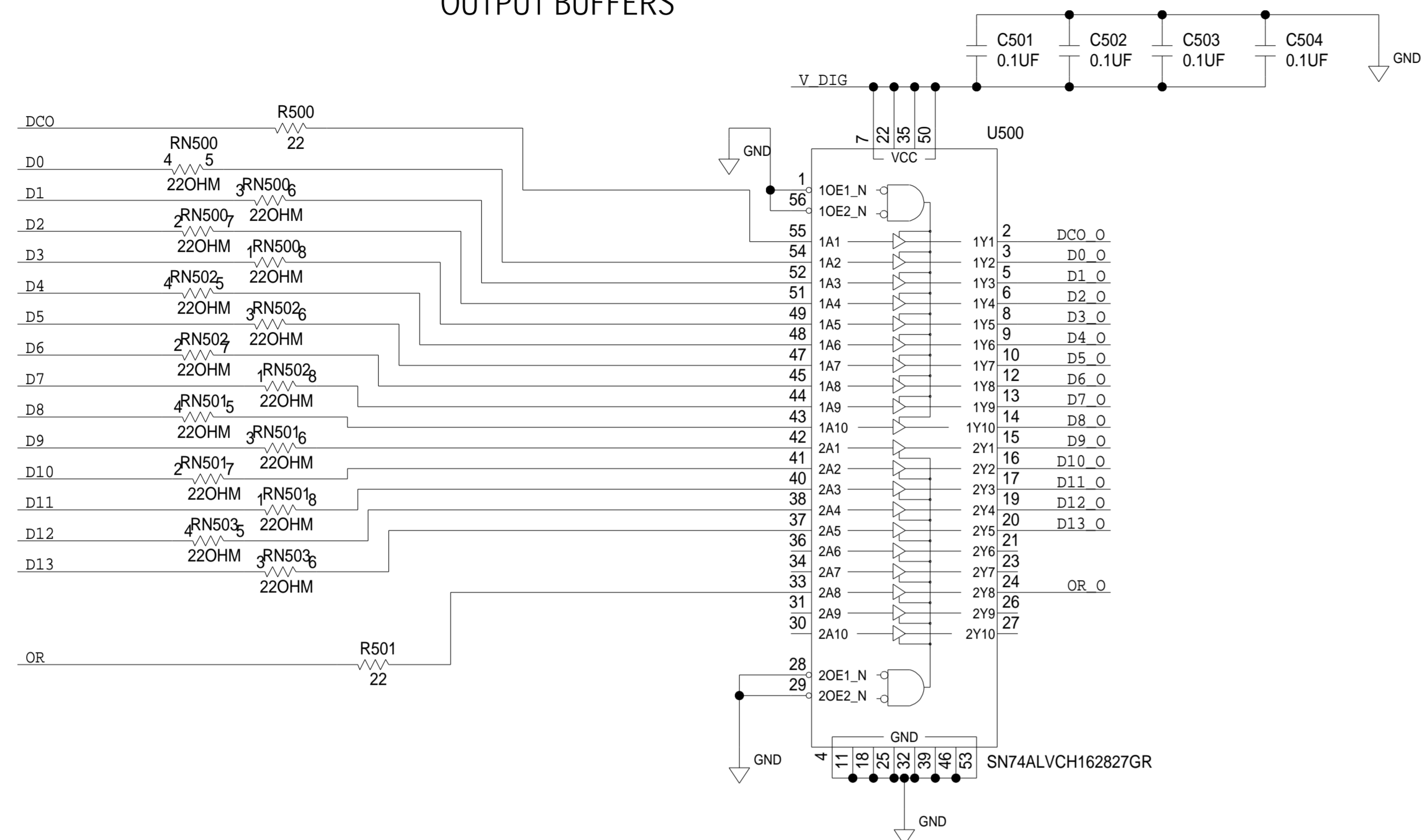
### BALUN CLOCK CIRCUITRY



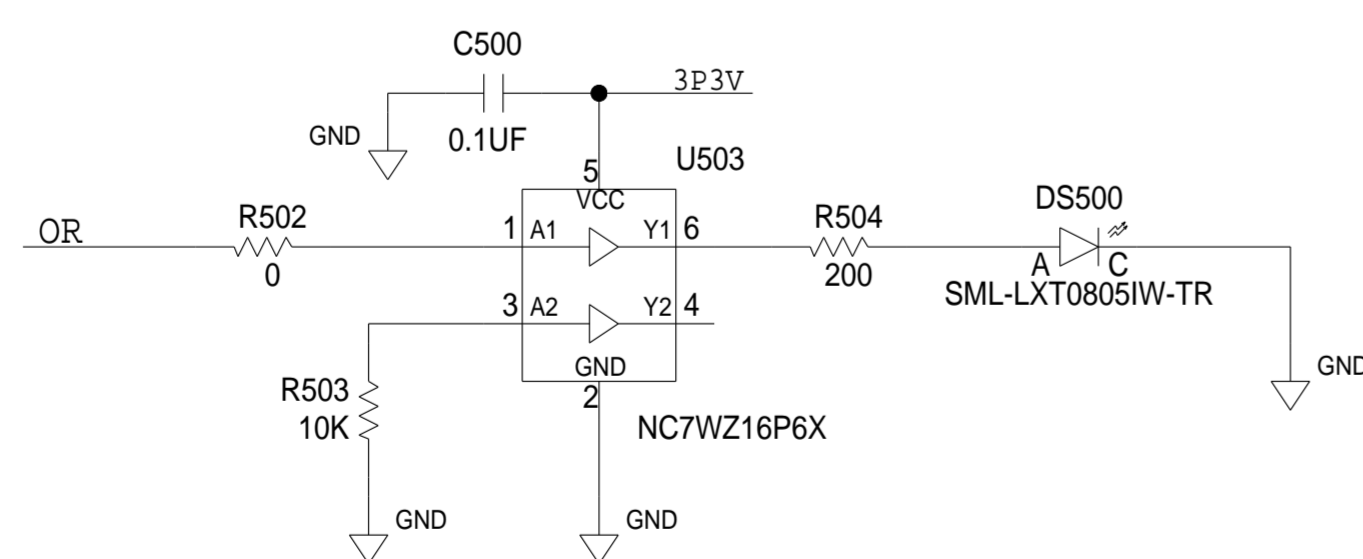
	<b>SCHEMATIC</b>		
	HW TYPE: EVAL-AD9246S Product(s): AD9246S Package: 48-LD 14.22x14.22MM_CQFP		
	DESIGN VIEW	DRAWING NO. 02_046595	REV A
	PTD ENGINEER <PTD_ENGINEER>	SIZE D SCALE	SHEET 4 OF 6

REVISIONS			
REV	DESCRIPTION	DATE	APPROVED

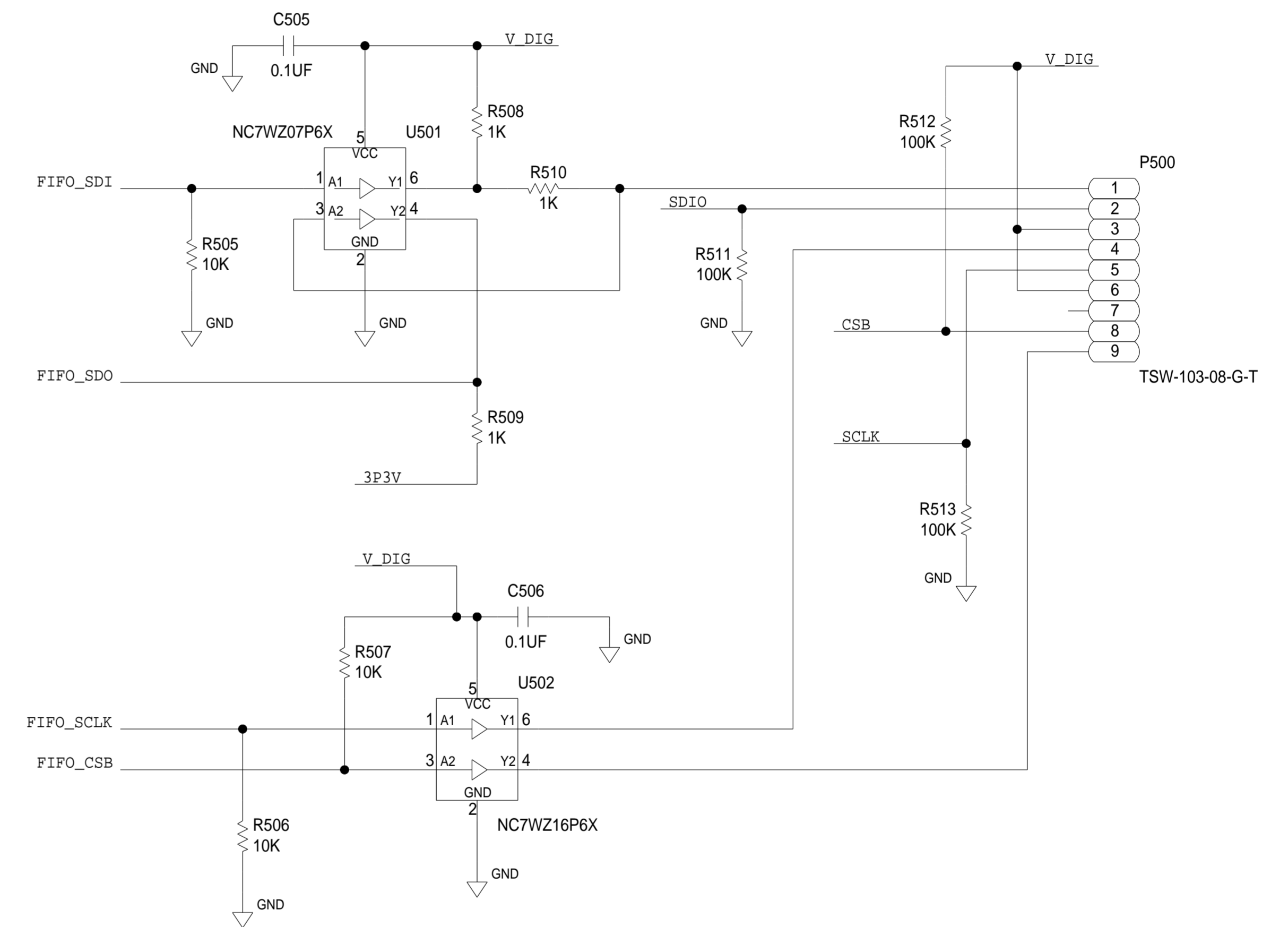
### OUTPUT BUFFERS



### OTR LED CIRCUIT



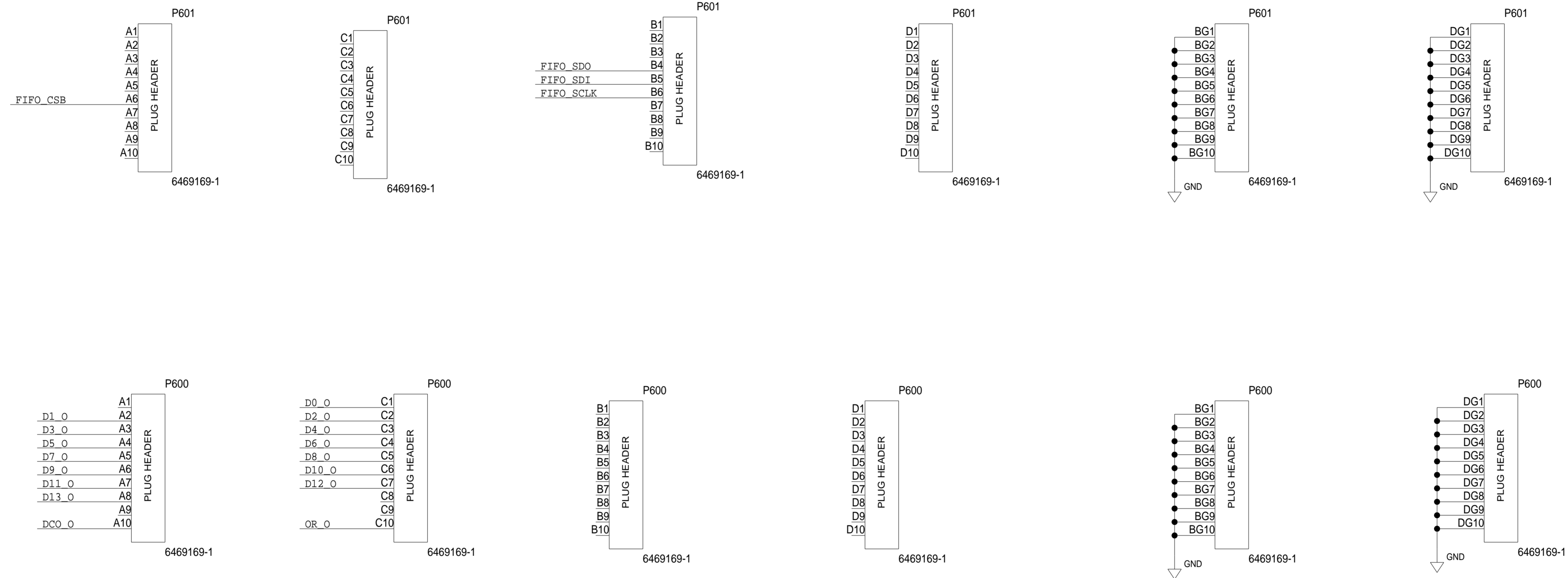
### SPI CIRCUITRY



	<b>SCHMATIC</b>		
	HW TYPE: EVAL-AD9246S Product(s): AD9246S Package: 48-LD 14.22x14.22MM_CQFP		
	DESIGN VIEW	DRAWING NO. <b>02_046595</b>	REV <b>A</b>
PTD ENGINEER <PTD_ENGINEER>	SIZE <b>D</b>	SCALE	SHEET <b>5</b> OF <b>6</b>

REVISIONS			
REV	DESCRIPTION	DATE	APPROVED

### FIFO 5 CONNECTIONS



<p>ANALOG DEVICES</p> <p><small>THIS DRAWING IS THE PROPERTY OF ANALOG DEVICES INC. IT IS NOT TO BE REPRODUCED OR COPIED, IN WHOLE OR IN PART, OR USED IN FURNISHING INFORMATION TO OTHERS, OR FOR ANY OTHER PURPOSE DETRIMENTAL TO THE INTERESTS OF ANALOG DEVICES. THE EQUIPMENT SHOWN HEREON MAY BE PROTECTED BY PATENTS OWNED OR CONTROLLED BY ANALOG DEVICES.</small></p>	<b>SCHEMATIC</b>		
	HW TYPE: EVAL-AD9246S Product(s): AD9246S Package: 48-LD 14.22x14.22MM_CQFP		
	DESIGN VIEW	DRAWING NO. <b>02_046595</b>	REV <b>A</b>
PTD ENGINEER <PTD_ENGINEER>	SIZE <b>D</b>	SCALE	SHEET <b>6</b> OF <b>6</b>