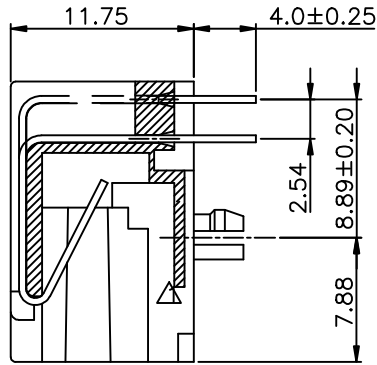
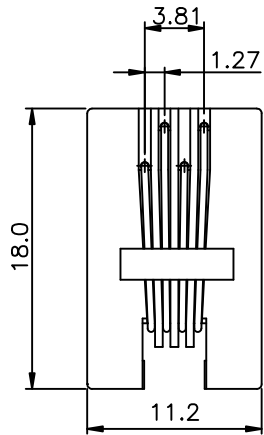
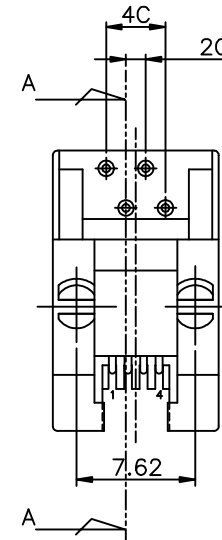


D1RFRD006



SECTION A-A



REVISION RECORD				
REV	ECO	DESCRIPTION	DRFT	CHKD
1		MODIFY DIM	07/28/05	

**NOTES:**

ELECTRICAL:

1. VOLTAGE RATING: 125 VAC RMS.
2. CURRENT RATING: 1.5 AMP.
3. CONTACT RESISTANCE: 30 MILLIOHMS MAX.
4. INSULATION RESISTANCE: 1000 MEGOHMS MIN @ 500 VDC.
5. DIELECTRIC STRENGTH: 1000 VAC RMS 60HZ, 1MIN.

MECHANICAL:

1. HOUSING MATERIAL: FR52 UL94V-0.  $\Delta$  STAND COLOR BLACK.
2. CONTACT MATERIAL: PHOSPHOR BRONZE.  $\phi$ 0.46mm.
3. SHIELD MATERIAL: BRASS C2680H ,THICKNESS 0.25mm.
4. PLATING: GOLD PLATING OVER NICKEL.
5. OPERATING LIFE: 750 CYCLES MIN.
6. PCB RETENTION PRE-SOLDER: 1 LB MIN.
7. PCB RETENTION POST-SOLDER: 10 LBS MIN.

ENVIRONMENTAL:

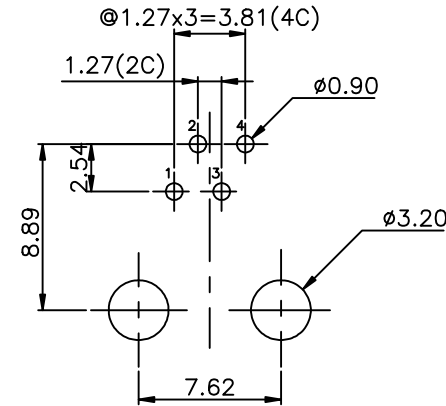
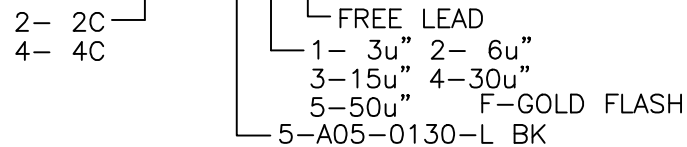
1. STORAGE: -40°C TO +85°C.
2. OPERATION: -40°C TO +85°C.
3. WAVE SOLDERING TEMPERATURE: 255~265°C (5~10 SECONDS)

MATES WITH MODULAR PLUG CONFORMING TO

FCC PART 68, SUBPART F.

UL & CUL FILE NO. E163191

PART NUMBER: E534X-00051X-L



Thickness=1.60mm

PC Board Layout Component Side Shown

DETACHED LISTS	MM (INCH)		DFTD QSJ	DATE 03/10/05'	FULL RISE ELECTRONIC CO., LTD	
	TOLERANCES EXCEPT AS NOTED		CHKD	DATE		
	MM	±	MFO	DATE	TITLE 90° VERY L/P PCB JACK 4P	
	.0 ± 0.2	±	APPVL XLF	DATE 07/30/05'		
.00 ± 0.15	±	MATERIAL :		DRAWING NO. GE533001-LA		
.000 ± 0.075	±	ANGLES ± 0.5		/PART NO. SEE NOTE		
THIRD ANGLE PROJECTION		FINISH :		SIZE A3		
		SCALE : 3:1		REV 1		
DO NOT SCALE DRAWING				SHEET OF		