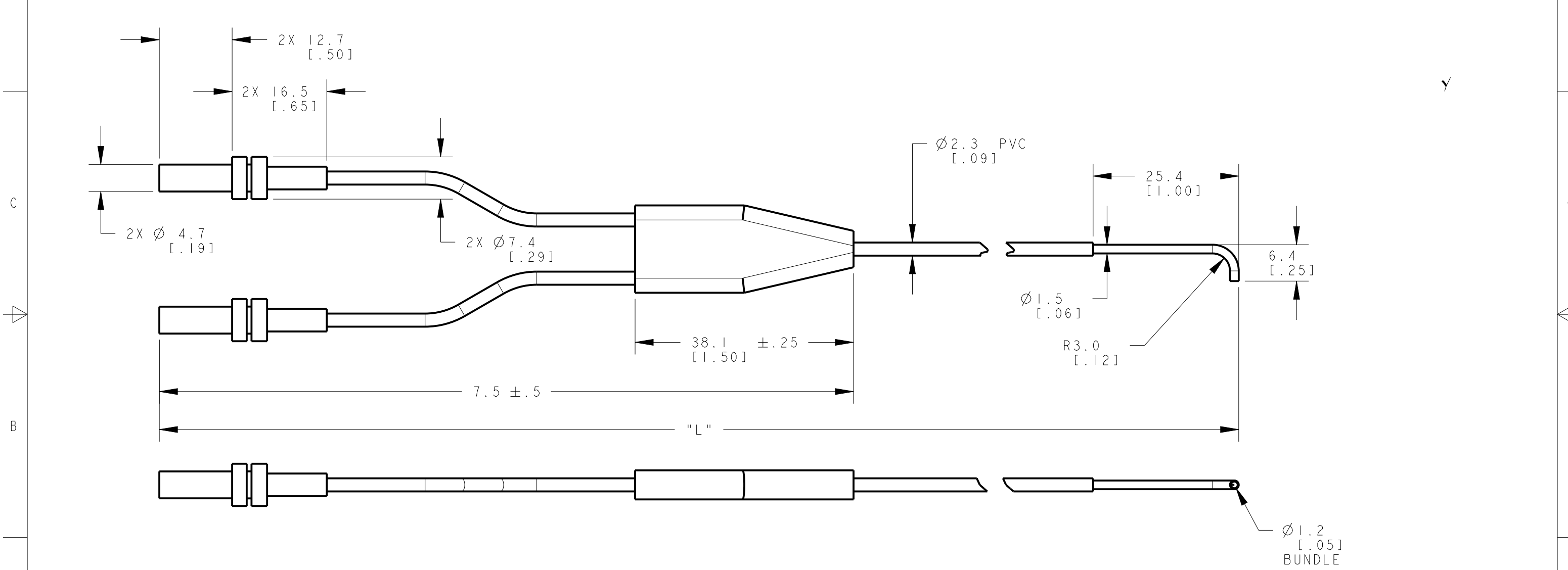


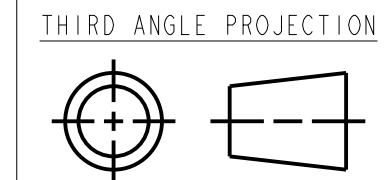
MODEL NO.	"L"	P/N
BM.755P	3048	23315
BM.754PMA.25	1219	20842
BM.752PMA.25	610	17956
BM.752PMA.25	610	17246



NOTES:
 1. ALL DIMENSIONS ARE MILLIMETERS [INCHES] UNLESS OTHERWISE NOTED.
 2. REFER TO "www.bannerengineering.com" FOR ADDITIONAL DATA AND SPECIFICATIONS.

This drawing is the property of BANNER ENGINEERING CORP. Any use or reproduction, in any form, without prior written permission of Banner is prohibited. © 2015 Banner Engineering Corp.

BANNER BANNER ENGINEERING CORP.
 www.bannerengineering.com



TITLE		
BM.752P SERIES		
SIZE B	DRAWING NO. 188750	REV. A
SCALE 3:2	SHEET 1 OF 1	

CREO