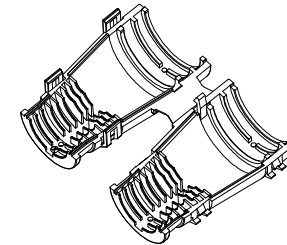
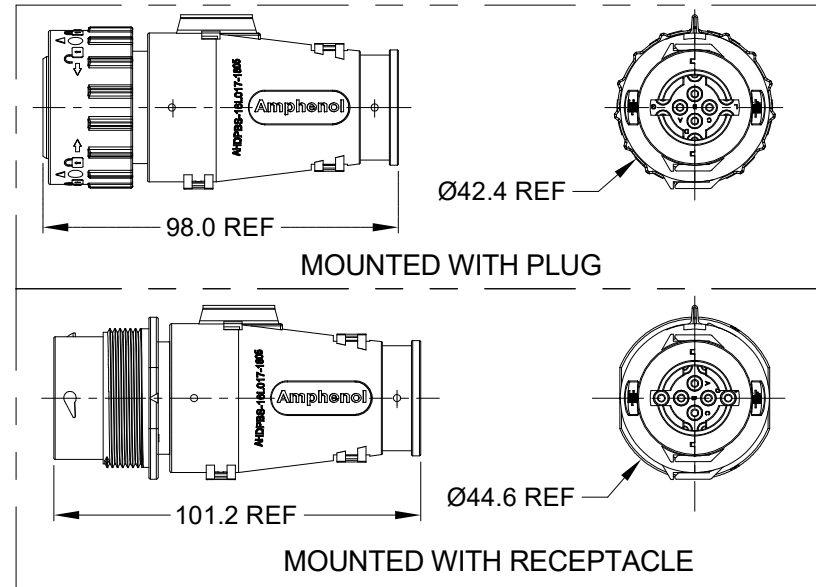
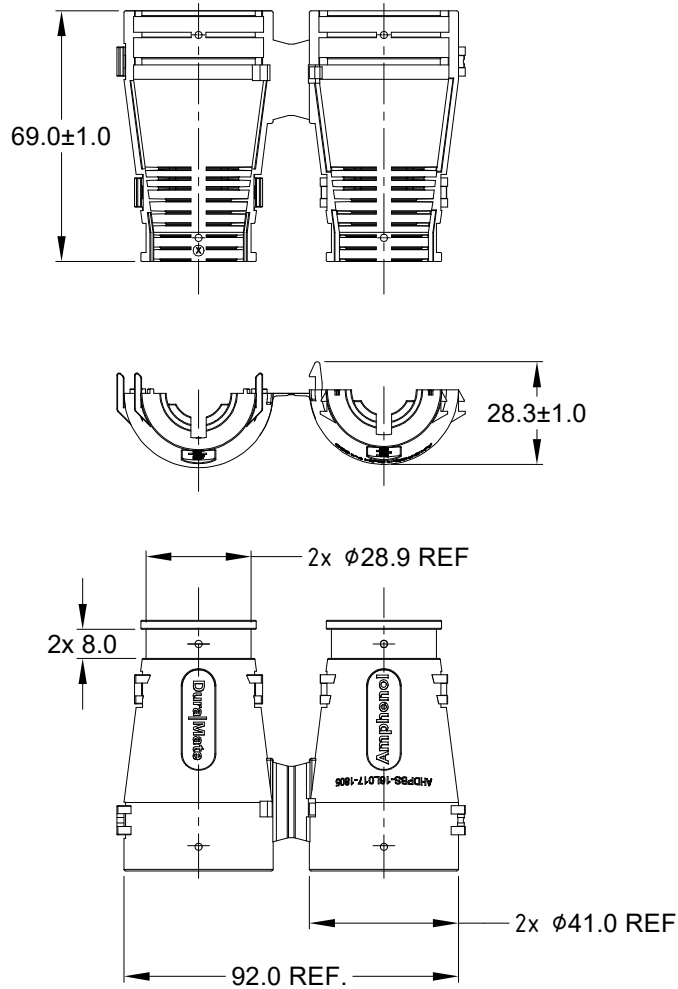


REVISIONS

REV	ECO	DESCRIPTION	DATE	BY	APPR
A1	-	FIRST ISSUE	08-MAR-22	MILO	TOMMY



NOTES: UNLESS OTHERWISE SPECIFIED

1. MATERIAL: THERMOPLASTIC, COLORS: BLACK
2. USE WITH AHDP02/04/06-18-*P/S-BRA
3. CABLE EXIT DESIGNED FOR CORRUGATED TUBE NW 13,17 AND 19.
4. RoHS COMPLIANT
5. ALL DIMENSIONS ARE FOR REFERENCE USE ONLY.

QUANTITY	AHDPBS-16L017-1805	DESCRIPTION	ITEM
	PART NUMBER		
MATERIALS LIST			
<p>UNLESS OTHERWISE SPECIFIED</p> <p>1) All dimensions are in metric(mm).</p> <p>2) Tolerances are as follows:</p> <p>1 PL DEC ±0.50 Fractions ±1/64</p> <p>2 PL DEC ±0.15 Angles ±1°</p> <p>3 PL DEC ±0.08</p> <p>3) Note reference = </p>		<p>SIGNATURES DATE</p> <p>DRAWN: MILO.DONG 08-MAR-22</p> <p>CHECKED: SULLENZHANG 09-MAR-22</p> <p>ENGINEER:</p> <p>APPROVAL: TOMMY.XIE 10-MAR-22</p>	
<p>MATERIAL SPECIFICATIONS:</p> <p>WEIGHT: 22.8g</p>		<p>Amphenol</p> <p>Sine Systems - www.amphenol-sine.com 44724 Morley Drive Clinton Township, MI 48036</p>	
<p>PROCESS SPECIFICATIONS:</p>		<p>BACK SHELL,COVER,STRAIGHT,AHDP SERIES,SIZE 18,BRA</p>	
<p>NEXT ASSY:</p>		<p>THIS DRAWING IS SUPPLIED FOR INFORMATION ONLY. DESIGN FEATURES, SPECIFICATIONS AND PERFORMANCE DATA SHOWN HEREON ARE THE PROPERTY OF THE AMPHENOL CORPORATION. NO RIGHTS OF REPRODUCTION ARE IMPLIED. ALL DIMENSIONS ARE SUBJECT TO NORMAL MANUFACTURING VARIATIONS.</p>	<p>SIZE: A C-</p> <p>TYPE: DURAMATE</p> <p>DWG NO: AHDPBS-16L017-1805</p> <p>REVISION: A1</p> <p>SCALE: NONE</p> <p>SHEET 1 OF 1</p>