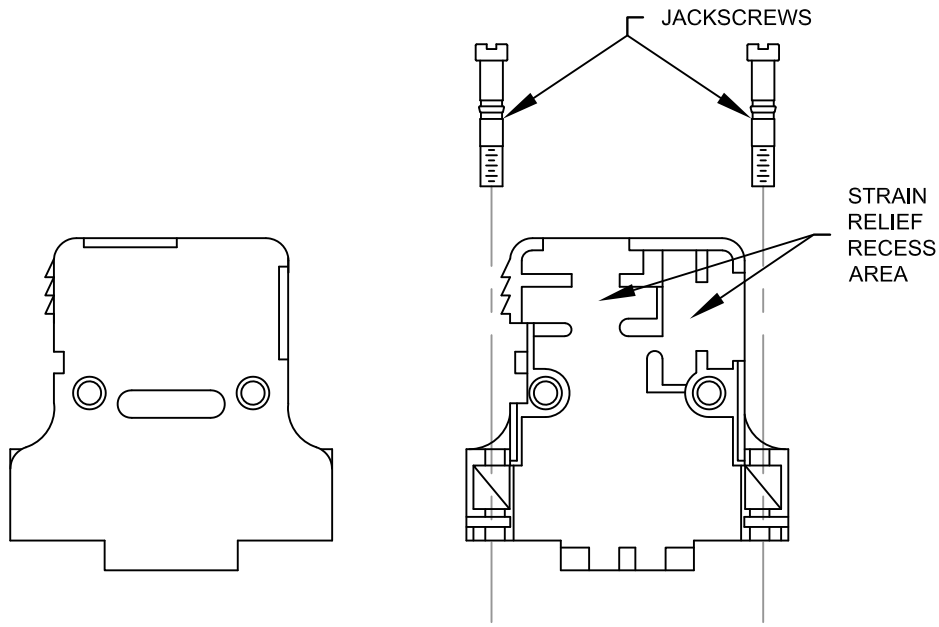
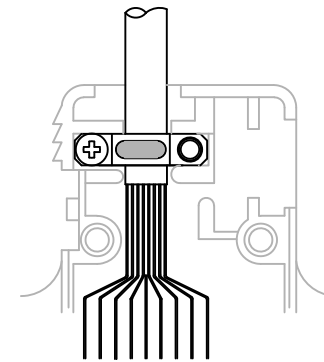


DESCRIPTION: BACKSHELL ASSEMBLY INSTRUCTIONS - PLASTIC

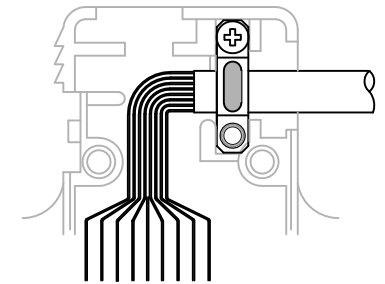


### ASSEMBLY INSTRUCTIONS:

1. SELECT THE CABLE ENTRY PORT NEEDED, PLACE THE SLOT BLOCKING TAB IN THE OTHER SLOT MAKING SURE IT IS FULLY SEATED. INSERT THE CABLE THROUGH THE CABLE SLOT ENTRY TAB
2. PREPARE CABLE ENDS, CONNECT TO CONNECTOR
3. CLAMP STRAIN RELIEF ONTO CABLE MAKING SURE CABLE JACKET IS BELOW STRAIN RELIEF
4. INSERT THE STRAIN RELIEF INTO THE STRAIN RELIEF RECESS AREA IN ONE HALF OF THE HOOD MAKING SURE THE CABLE SLOT ENTRY TAB IS FULLY SEATED
5. PLACE THE OTHER HALVE OF THE HOOD ON TOP OF THE FIRST HALF, MAKING SURE NO WIRES ARE PINCHED AND SNAP THE TWO HALVES TOGETHER MAKING SURE THEY ARE FULLY SEATED

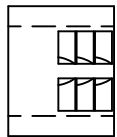


ITEM No. 1, 3 & 4  
TOP ENTRY

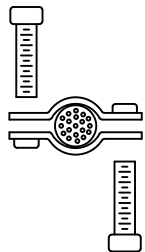


ITEM No. 1, 3 & 4  
SIDE ENTRY

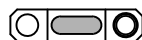
**PLEASE REFERENCE NORCOMP  
DRAWING # 982-YYY-0Y0RY1  
FOR INCLUDED HARDWARE**



CABLE SLOT  
BLOCK TAB



STRAIN RELIEF AND  
GROUNDING SPRING  
MOUNTING DETAIL



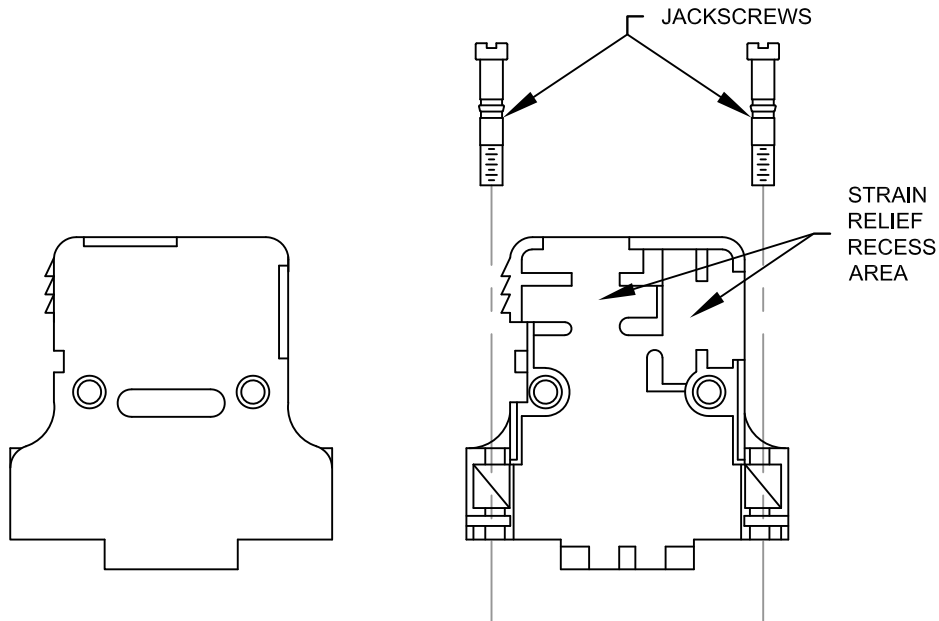
STRAIN  
RELIEF  
CLAMP

## RoHS COMPLIANT

**PLASTIC**

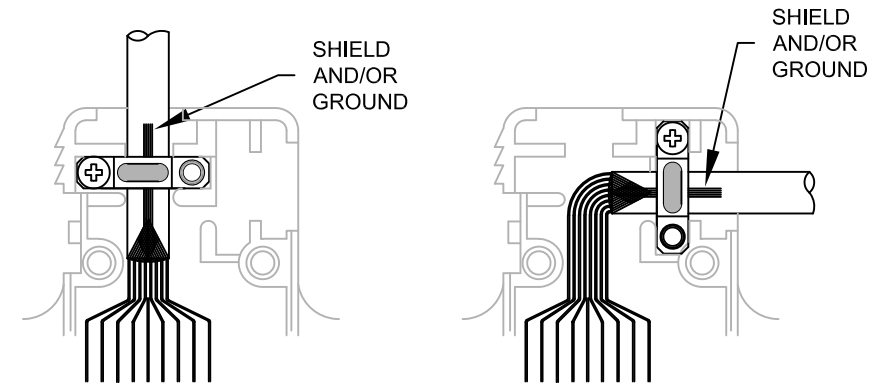
	THESE DRAWINGS AND SPECIFICATIONS ARE THE PROPERTY OF NorComp AND SHALL NOT BE REPRODUCED, COPIED OR USED AS THE BASIS FOR THE MANUFACTURE OF SALE OF APPARATUS WITHOUT WRITTEN PERMISSION.		DRAWN: C. SMITH	DATE: 04-07-06
	<h1>NorComp</h1>		SCALE: N.T.S.	SHEET 1 OF 2
DWG NO. BACKSHELL - 982 SERIES				

DESCRIPTION: BACKSHELL ASSEMBLY INSTRUCTIONS - METALIZED PLASTIC



### ASSEMBLY INSTRUCTIONS:

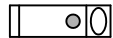
1. SELECT THE CABLE ENTRY PORT NEEDED, PLACE THE SLOT BLOCKING TAB IN THE OTHER SLOT MAKING SURE IT IS FULLY SEATED. INSERT THE CABLE THROUGH THE CABLE SLOT ENTRY TAB
2. PREPARE CABLE ENDS, CONNECT TO CONNECTOR
3. CLAMP STRAIN RELIEF ONTO CABLE MAKING SURE CABLE JACKET IS BELOW STRAIN RELIEF. INSERT THE GROUNDING SPRING AS SHOWN IN DETAIL
4. IF CABLE IS SHIELDED, FOLD SHIELD AND/OR GROUND WIRE BACK UNDER STRAIN RELIEF. CUT OFF ANY EXCESS WIRE SO IT DOES NOT STICK OUT OF THE HOOD
5. INSERT THE STRAIN RELIEF INTO THE STRAIN RELIEF RECESS AREA IN ONE HALF OF THE HOOD MAKING SURE THE CABLE SLOT ENTRY TAB IS FULLY SEATED
6. PLACE THE OTHER HALF OF THE HOOD ON TOP OF THE FIRST HALF, MAKING SURE NO WIRES ARE PINCHED AND SNAP THE TWO HALVES TOGETHER MAKING SURE THEY ARE FULLY SEATED



ITEM No. 1, 3, 4 & 5  
TOP ENTRY

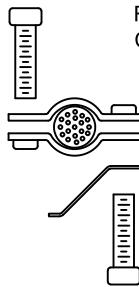
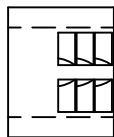
ITEM No. 1, 3, 4 & 5  
SIDE ENTRY

**PLEASE REFERENCE NORCOMP  
DRAWING # 982-YYY-0Y0RY1  
FOR INCLUDED HARDWARE**

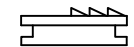


GROUNDING  
SPRING

STRAIN  
RELIEF  
CLAMP



STRAIN RELIEF AND  
GROUNDING SPRING  
MOUNTING DETAIL



CABLE SLOT  
BLOCK TAB

## RoHS COMPLIANT

## METALIZED PLASTIC

	THESE DRAWINGS AND SPECIFICATIONS ARE THE PROPERTY OF NorComp AND SHALL NOT BE REPRODUCED, COPIED OR USED AS THE BASIS FOR THE MANUFACTURE OF SALE OF APPARATUS WITHOUT WRITTEN PERMISSION.		DRAWN: C. SMITH	DATE: 04-07-06
	<h1>NorComp</h1>		SCALE: N.T.S.	SHEET OF 2 2
DWG NO. BACKSHELL - 982 SERIES				