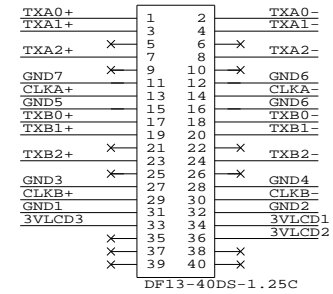
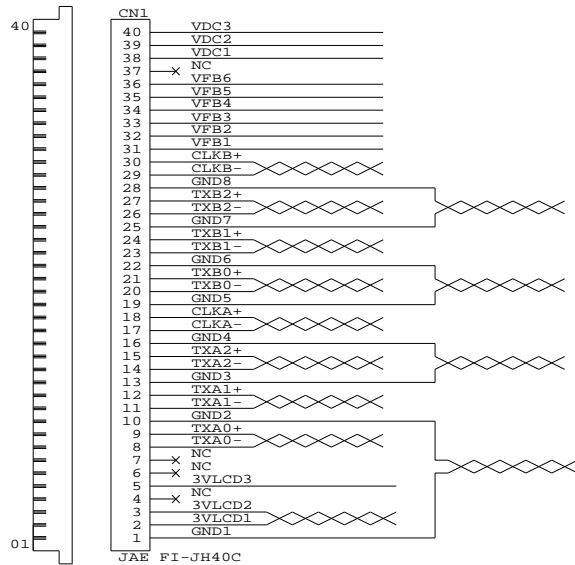
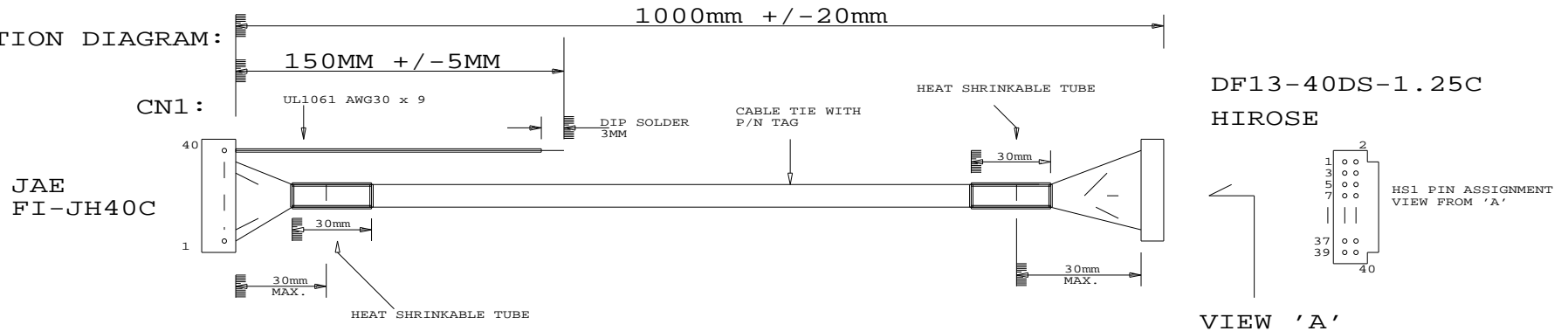


CONNECTION DIAGRAM:



PANEL SIDE

CONSTRUCTION DIAGRAM:



CABLE: CN1(PIN1-30) SHIELDED ROUND UL20276, 14 PAIRS, 30AWG, PVC COLOR BLACK
 CN1(PIN31-36) UL1061 AWG30 BLACK
 CN1(PIN38-40) UL1061 AWG30 RED

RoHS
COMPLIANCE

DIGITAL VIEW LTD. COPYRIGHT 2008, ALL RIGHTS RESERVED CONFIDENTIAL DRAWN BY: VICTOR NG		
Title	LVDS CABLE: CHI MEI N154C6-L01, 1000mm	
Size	Document Number	REV
B	(...\DV\DV_CABLE\C6496800.SCH)	00
Date:	March 28, 2008	Sheet 1 of 1

P/N 426496800-3

LVDS CABLE: CHI MEI N154C6-L01, 1000mm