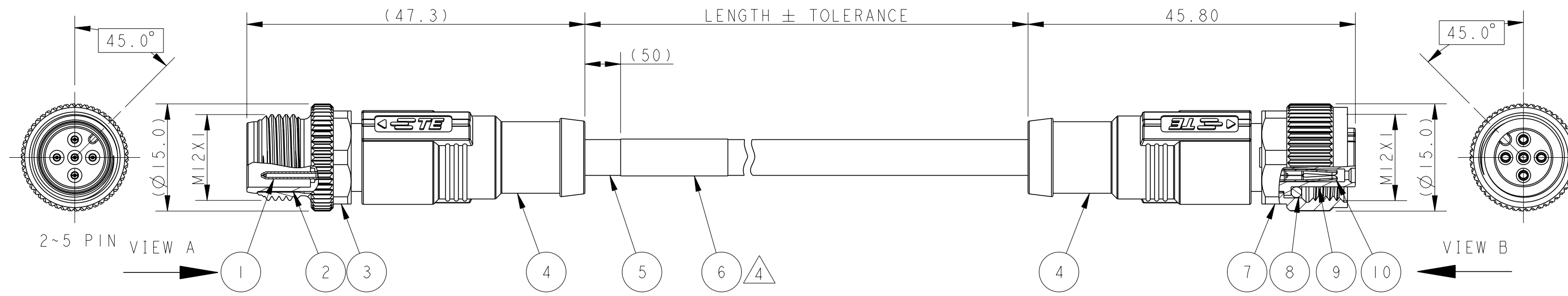


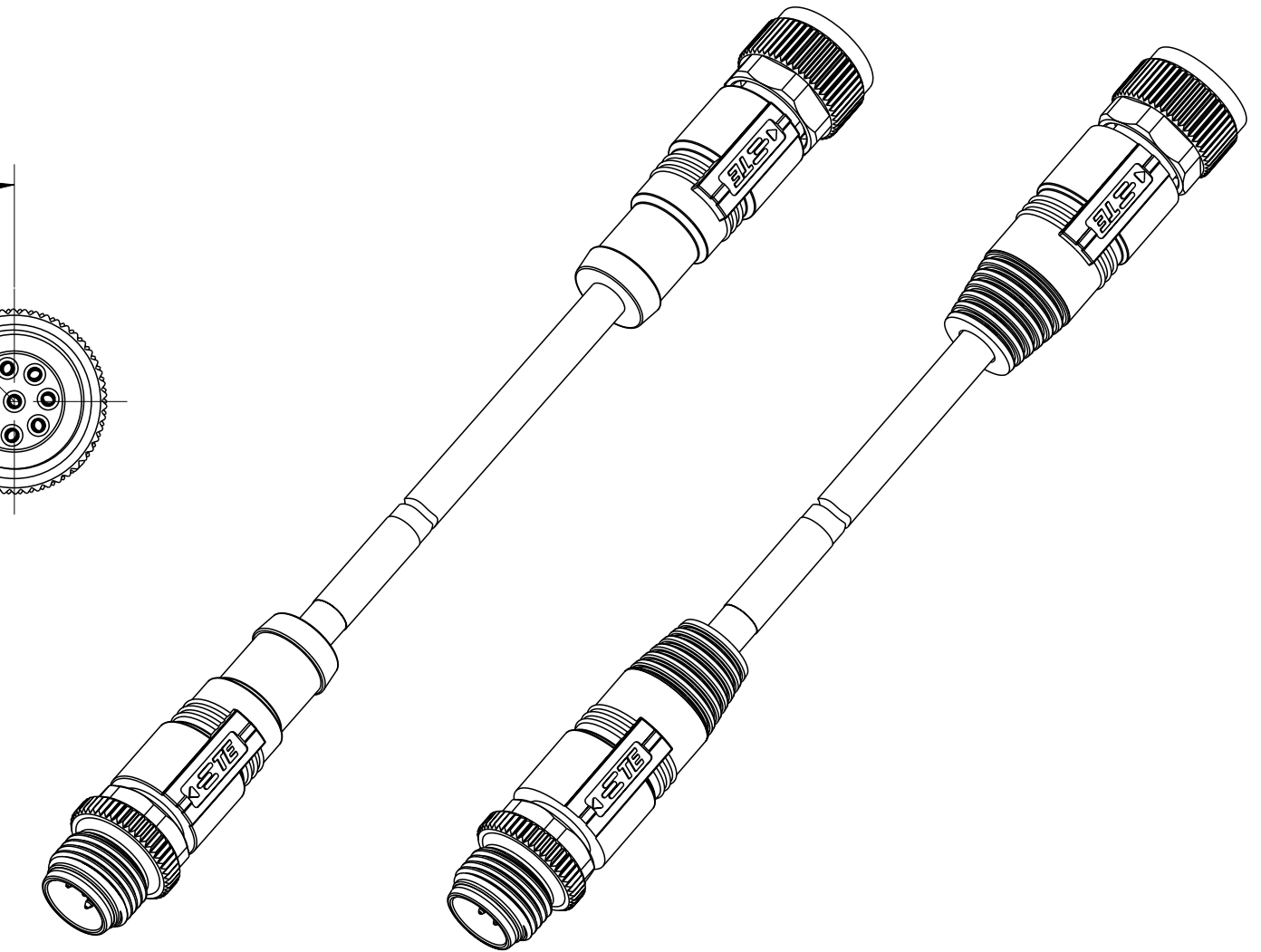
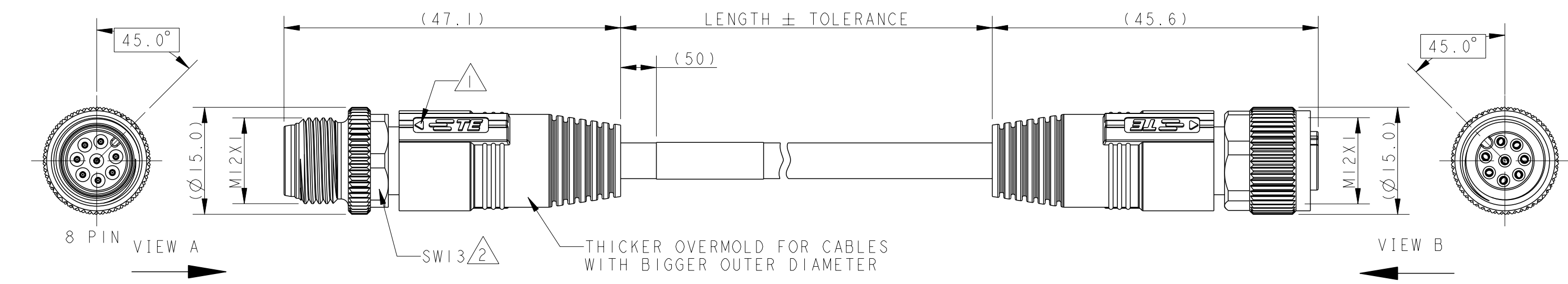
THIS DRAWING IS UNPUBLISHED. 2021 TE Connectivity. All Rights Reserved. RELEASED FOR PUBLICATION ALL RIGHTS RESERVED. COPYRIGHT

REVISIONS					
P	LTR	DESCRIPTION	DATE	DWN	APVD
	A	INITIAL RELEASE	12APR2021	BP	CW

(T41521X3*) M12 ST MALE TO M12 ST FEMALE DOUBLE ENDED CABLE ASSEMBLY (Unshielded)



ITEM	DESCRIPTION	MATERIAL	OTHERS
1	MALE CONTACT	COPPER ALLOY	FLASH GOLD
2	MALE HOUSING	NYLON	BLACK
3	MALE NUT	COPPER ALLOY	NICKEL PLATED
4	OVER-MOLDING	POLYURETHANE	BLUE
5	CABLE	1=PVC 2=PUR	PVC:BLACK PUR:GRAY
6	LABEL	-	-
7	FEMALE NUT	COPPER ALLOY	NICKEL PLATED
8	O-RING	SILICONE	GRAY
9	FEMALE HOUSING	NYLON	BLACK
10	FEMALE CONTACT	COPPER ALLOY	FLASH GOLD



PN	T41521X3002-XXX	T41521X3003-XXX	T41521X3004-XXX	T41521X3005-XXX	T41521X3008-XXX
VIEW A					
VIEW B					
WIRING DIAGRAM	PIN WIRE	PIN WIRE	PIN WIRE	PIN WIRE	PIN WIRE
	1 BROWN	1 BROWN	1 BROWN	1 BROWN	1 WHITE
	2 ---	2 ---	2 WHITE	2 WHITE	2 BROWN
	3 BLUE	3 BLUE	3 BLUE	3 BLUE	3 GREEN
	4 ---	4 BLACK	4 BLACK	4 BLACK	4 YELLOW
5 ---	5 ---	5 ---	5 GREY	5 GREY	
					6 PINK
					7 BLUE
					8 RED
STANDARD	CODING REQUIRED TO IEC 61076-2-101				

TECHNICAL DATA	T41521X3002-XXX	T41521X3003-XXX	T41521X3004-XXX	T41521X3005-XXX	T41521X3008-XXX
RATED VOLTAGE		250V		60V	30V
RATED IMPULSE VOLTAGE		2500V		1500V	800V
RATED CURRENT			4A		2A
POLLUTION DEGREE			3		
OVERVOLTAGE CATEGORY			II		
MATERIAL GROUP			II		
DEGREE OF PROTECTION			IP67		

THIS DRAWING IS A CONTROLLED DOCUMENT.

DIMENSIONS: mm	TOLERANCES UNLESS OTHERWISE SPECIFIED:	DWN: BLAZE PENG 10APR2021	
	0 PLC ±	CHK: KEVIN HUANG 10APR2021	
	1 PLC ±	APVD: CHRIS WANG 10APR2021	
	2 PLC ±	PRODUCT SPEC: 108-106140	
MATERIAL: -	3 PLC ±	APPLICATION SPEC: 114-137144	NAME: M12 CABLE ASSEMBLY DOUBLE END UNSHIELDED
	4 PLC ±	WEIGHT: -	SIZE: A2 CAGE CODE: 00779 DRAWING NO: C-1SET311C02R0000
	ANGLES ±	CUSTOMER DRAWING	RESTRICTED TO: -
	FINISH -	SCALE: 1:1	SHEET 1 OF 5
			REV: A

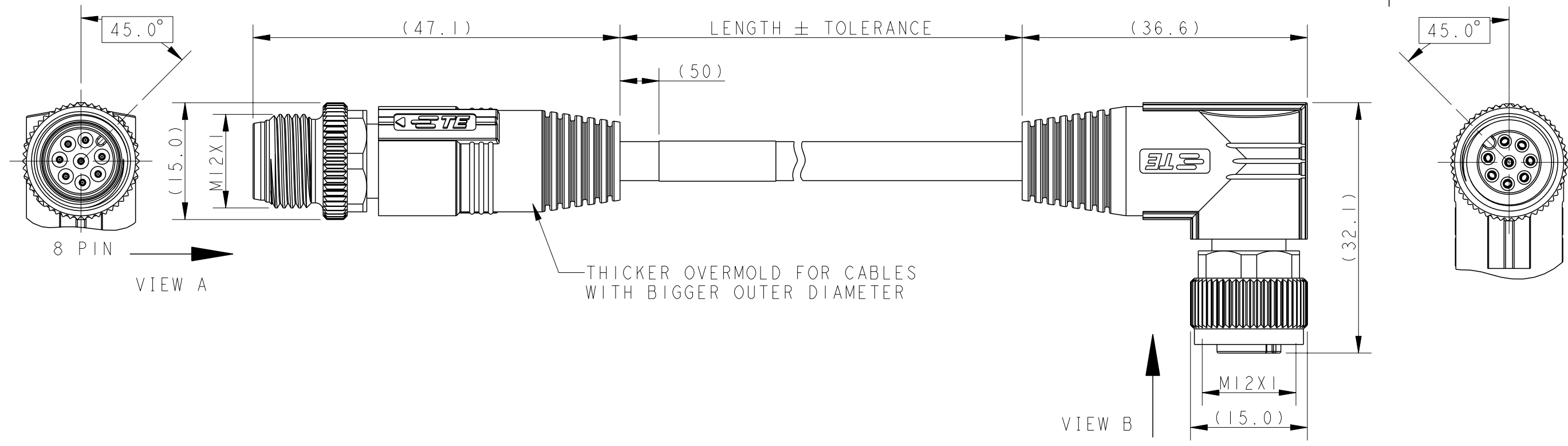
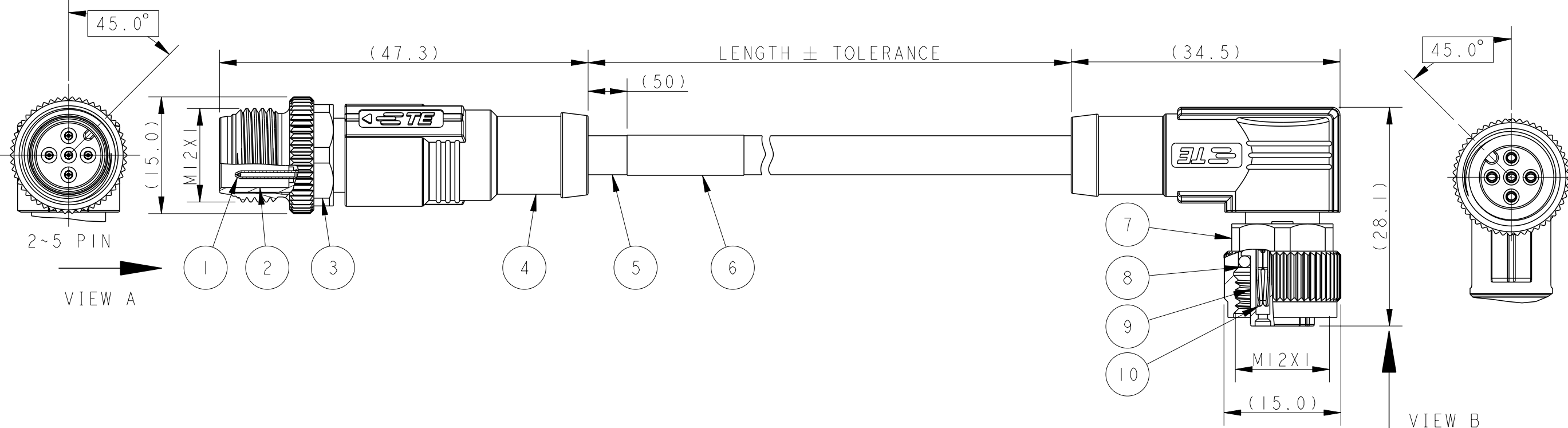
THIS DRAWING IS UNPUBLISHED. 2021 TE Connectivity. All Rights Reserved.

RELEASED FOR PUBLICATION

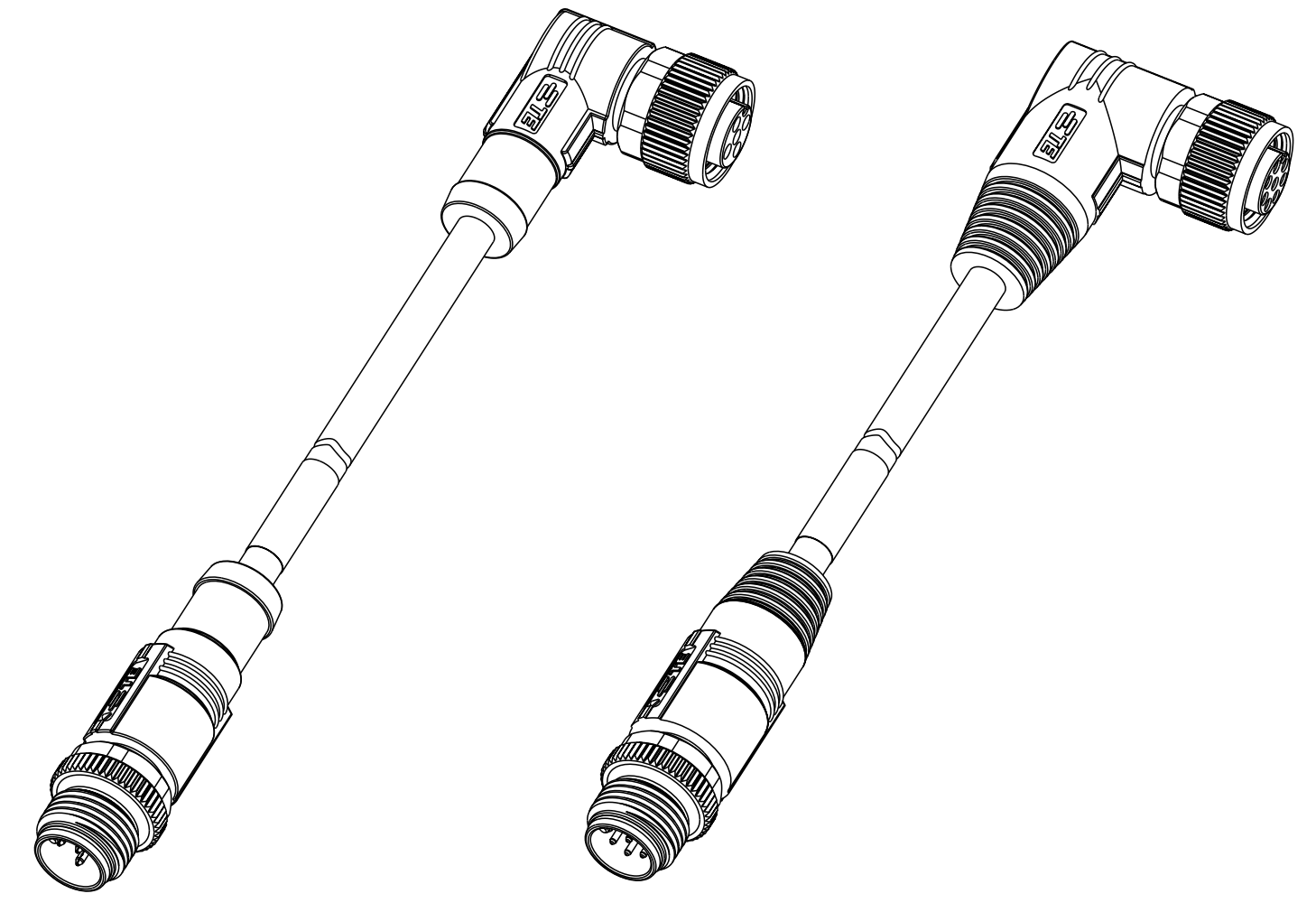
ALL RIGHTS RESERVED.

(T41521X4*) M12 ST MALE TO M12 R/A FEMALE DOUBLE ENDED CABLE ASSEMBLY (Unshielded)

REVISIONS					
P	LTR	DESCRIPTION	DATE	DWN	APVD
		SEE SHEET 1			



ITEM	DESCRIPTION	MATERIAL	OTHERS
1	MALE CONTACT	COPPER ALLOY	FLASH GOLD
2	MALE HOUSING	NYLON	BLACK
3	MALE NUT	COPPER ALLOY	NICKEL PLATED
4	OVER-MOLDING	POLYURETHANE	BLUE
5	CABLE	1=PVC 2=PUR	PVC:BLACK PUR:GRAY
6	LABEL	-	-
7	FEMALE NUT	COPPER ALLOY	NICKEL PLATED
8	O-RING	SILICONE	GRAY
9	FEMALE HOUSING	NYLON	BLACK
10	FEMALE CONTACT	COPPER ALLOY	FLASH GOLD



PN	T41521X4002-XXX	T41521X4003-XXX	T41521X4004-XXX	T41521X4005-XXX	T41521X4008-XXX
VIEW A					
VIEW B					
WIRING DIAGRAM	PIN WIRE	PIN WIRE	PIN WIRE	PIN WIRE	PIN WIRE
	1 BROWN	1 BROWN	1 BROWN	1 BROWN	1 WHITE
	2 ---	2 ---	2 WHITE	2 WHITE	2 BROWN
	3 BLUE	3 BLUE	3 BLUE	3 BLUE	3 GREEN
	4 ---	4 BLACK	4 BLACK	4 BLACK	4 YELLOW
5 ---	5 ---	5 ---	5 GREY	5 GREY	
					6 PINK
					7 BLUE
					8 RED

TECHNICAL DATA					
	T41521X4002-XXX	T41521X4003-XXX	T41521X4004-XXX	T41521X4005-XXX	T41521X4008-XXX
RATED VOLTAGE		250V		60V	30V
RATED IMPULSE VOLTAGE		2500V		1500V	800V
RATED CURRENT			4A		2A
POLLUTION DEGREE			3		
OVERVOLTAGE CATEGORY			II		
MATERIAL GROUP			II		
DEGREE OF PROTECTION			IP67		

THIS DRAWING IS A CONTROLLED DOCUMENT.

DWN: BLAZE PENG 10APR2021
 CHK: KEVIN HUANG 10APR2021
 APVD: CHRIS WANG 10APR2021

ENTRELEC
Electrical Solutions

NAME: M12 CABLE ASSEMBLY DOUBLE END UNSHIELDED

PRODUCT SPEC: 108-106140
 APPLICATION SPEC: 114-137144

SIZE: A2 CAGE CODE: 00779 DRAWING NO: C-1SET311C02R0000 RESTRICTED TO: -
 WEIGHT: - SCALE: 1:1 SHEET: 2 OF 5 REV: A

CUSTOMER DRAWING

CODING REQUIRED TO IEC 61076-2-101

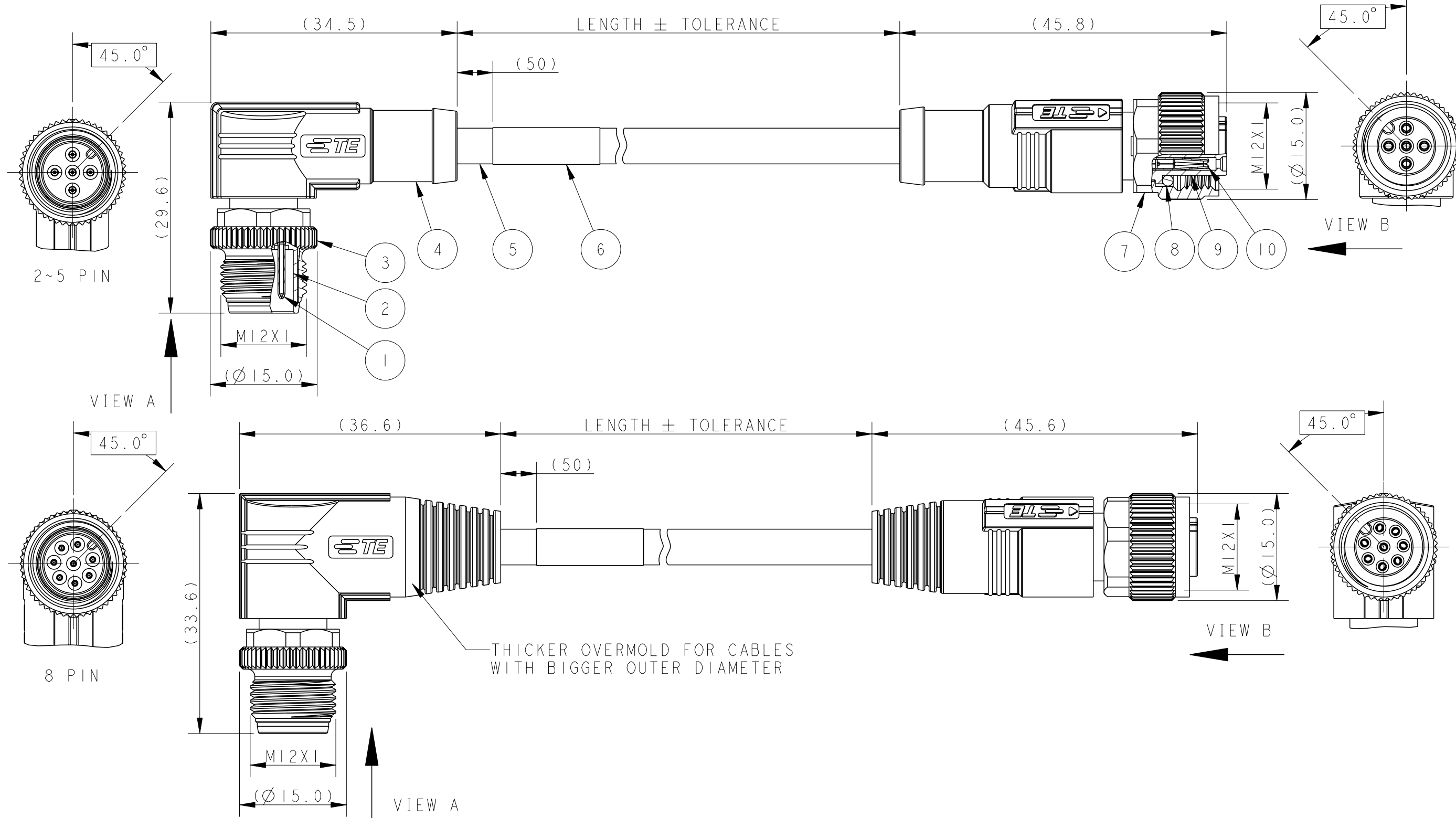
THIS DRAWING IS UNPUBLISHED. 2021 TE Connectivity. All Rights Reserved.

RELEASED FOR PUBLICATION

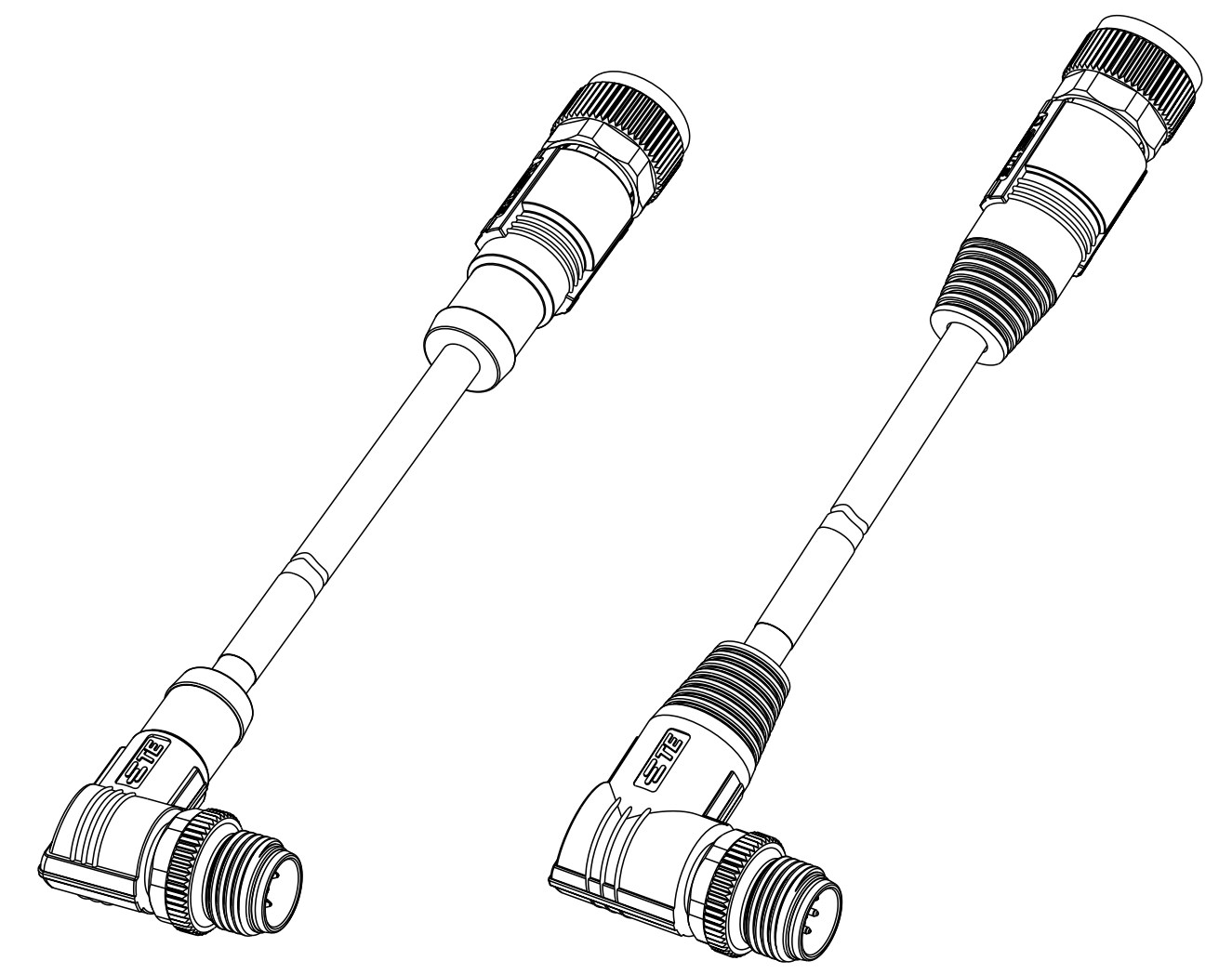
ALL RIGHTS RESERVED.

(T41522X3*) M12 R/A MALE TO M12 ST FEMALE DOUBLE ENDED CABLE ASSEMBLY (Unshielded)

REVISIONS				
P	LTR	DESCRIPTION	DATE	APVD
		SEE SHEET 1		



ITEM	DESCRIPTION	MATERIAL	OTHERS
1	MALE CONTACT	COPPER ALLOY	FLASH GOLD
2	MALE HOUSING	NYLON	BLACK
3	MALE NUT	COPPER ALLOY	NICKEL PLATED
4	OVER-MOLDING	POLYURETHANE	BLUE
5	CABLE	1=PVC 2=PUR	PVC:BLACK PUR:GRAY
6	LABEL	-	-
7	FEMALE NUT	COPPER ALLOY	NICKEL PLATED
8	O-RING	SILICONE	GRAY
9	FEMALE HOUSING	NYLON	BLACK
10	FEMALE CONTACT	COPPER ALLOY	FLASH GOLD



PN	T41522X3002-XXX	T41522X3003-XXX	T41522X3004-XXX	T41522X3005-XXX	T41522X3008-XXX
VIEW A					
VIEW B					
WIRING DIAGRAM	PIN WIRE	PIN WIRE	PIN WIRE	PIN WIRE	PIN WIRE
	1 BROWN	1 BROWN	1 BROWN	1 BROWN	1 WHITE
	2 ---	2 ---	2 WHITE	2 WHITE	2 BROWN
	3 BLUE	3 BLUE	3 BLUE	3 BLUE	3 GREEN
	4 ---	4 BLACK	4 BLACK	4 BLACK	4 YELLOW
5 ---	5 ---	5 ---	5 GREY	5 GREY	
					6 PINK
					7 BLUE
					8 RED

TECHNICAL DATA					
	T41522X3002-XXX	T41522X3003-XXX	T41522X3004-XXX	T41522X3005-XXX	T41522X3008-XXX
RATED VOLTAGE		250V		60V	30V
RATED IMPULSE VOLTAGE		2500V		1500V	800V
RATED CURRENT			4A		2A
POLLUTION DEGREE			3		
OVERVOLTAGE CATEGORY			II		
MATERIAL GROUP			II		
DEGREE OF PROTECTION			IP67		

THIS DRAWING IS A CONTROLLED DOCUMENT.

DWN: BLAZE PENG (10APR2021)
 CHK: KEVIN HUANG (10APR2021)
 APVD: CHRIS WANG (10APR2021)

ENTRELEC
Electrical Solutions

NAME: M12 CABLE ASSEMBLY DOUBLE END UNSHIELDED

PRODUCT SPEC: 108-106140
 APPLICATION SPEC: 114-137144

SIZE: A2 CAGE CODE: 00779 DRAWING NO: C-1SET311C02R0000 RESTRICTED TO: -
 WEIGHT: - SCALE: 1:1 SHEET: 3 OF 5 REV: A

CUSTOMER DRAWING

CODING REQUIRED TO IEC 61076-2-101

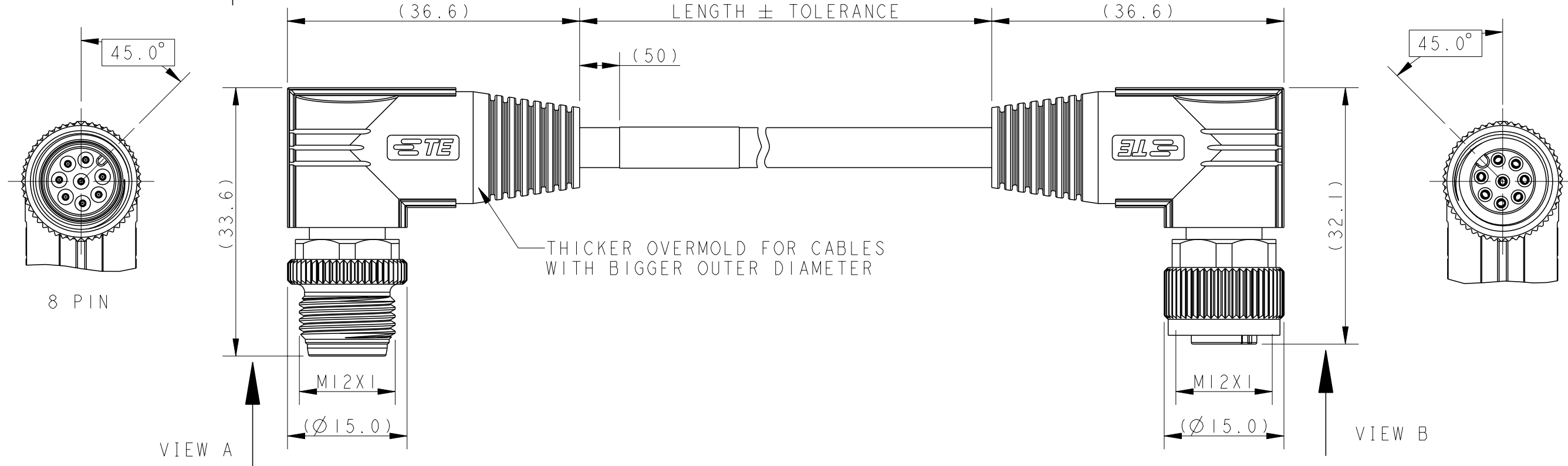
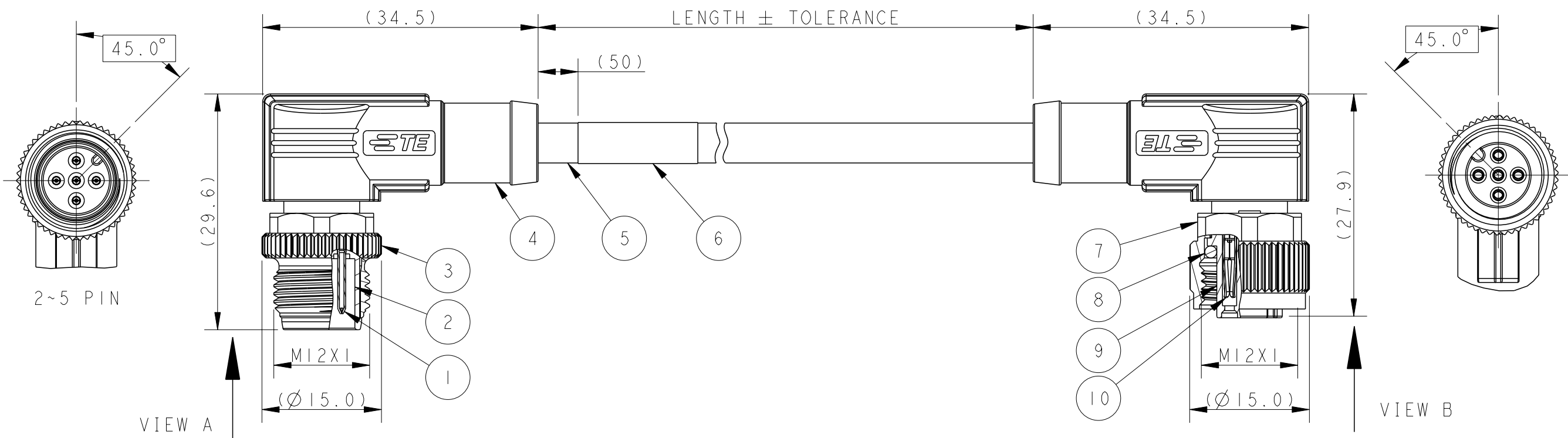
THIS DRAWING IS UNPUBLISHED. 2021 TE Connectivity. All Rights Reserved.

RELEASED FOR PUBLICATION

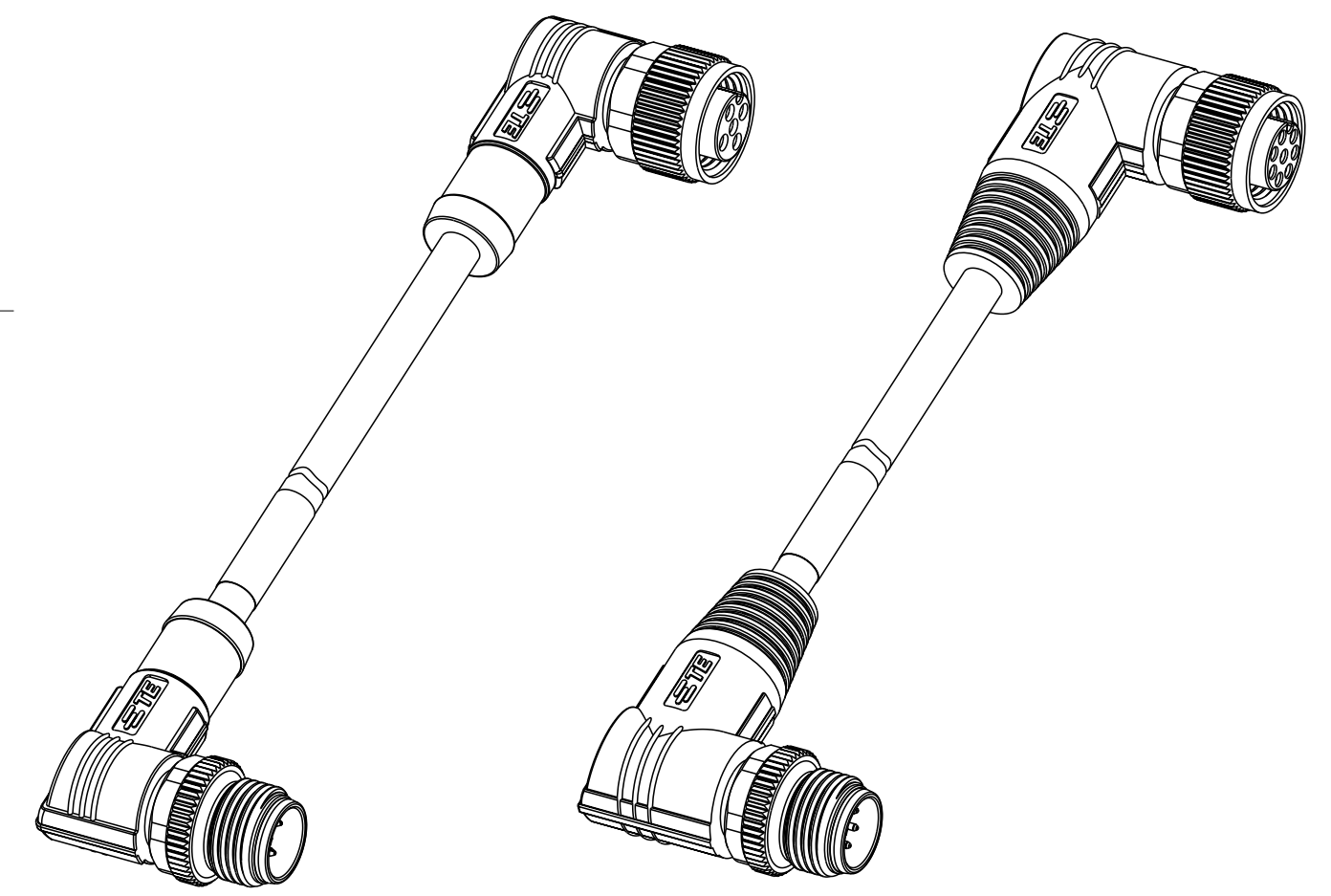
ALL RIGHTS RESERVED.

(T41522X4*) M12 R/A MALE TO M12 R/A FEMALE DOUBLE ENDED CABLE ASSEMBLY (Unshielded)

REVISIONS					
P	LTR	DESCRIPTION	DATE	DWN	APVD
		SEE SHEET 1			



ITEM	DESCRIPTION	MATERIAL	OTHERS
1	MALE CONTACT	COPPER ALLOY	FLASH GOLD
2	MALE HOUSING	NYLON	BLACK
3	MALE NUT	COPPER ALLOY	NICKEL PLATED
4	OVER-MOLDING	POLYURETHANE	BLUE
5	CABLE	1=PVC 2=PUR	PVC:BLACK PUR:GRAY
6	LABEL	-	-
7	FEMALE NUT	COPPER ALLOY	NICKEL PLATED
8	FEMALE HOUSING	NYLON	BLACK
9	FEMALE CONTACT	COPPER ALLOY	FLASH GOLD



PN	T41522X4002-XXX	T41522X4003-XXX	T41522X4004-XXX	T41522X4005-XXX	T41522X4008-XXX																																																																								
VIEW A																																																																													
VIEW B																																																																													
WIRING DIAGRAM	<table border="1"> <thead> <tr> <th>PIN</th> <th>WIRE</th> </tr> </thead> <tbody> <tr><td>1</td><td>BROWN</td></tr> <tr><td>2</td><td>---</td></tr> <tr><td>3</td><td>BLUE</td></tr> <tr><td>4</td><td>---</td></tr> <tr><td>5</td><td>---</td></tr> </tbody> </table>	PIN	WIRE	1	BROWN	2	---	3	BLUE	4	---	5	---	<table border="1"> <thead> <tr> <th>PIN</th> <th>WIRE</th> </tr> </thead> <tbody> <tr><td>1</td><td>BROWN</td></tr> <tr><td>2</td><td>---</td></tr> <tr><td>3</td><td>BLUE</td></tr> <tr><td>4</td><td>BLACK</td></tr> <tr><td>5</td><td>---</td></tr> </tbody> </table>	PIN	WIRE	1	BROWN	2	---	3	BLUE	4	BLACK	5	---	<table border="1"> <thead> <tr> <th>PIN</th> <th>WIRE</th> </tr> </thead> <tbody> <tr><td>1</td><td>BROWN</td></tr> <tr><td>2</td><td>WHITE</td></tr> <tr><td>3</td><td>BLUE</td></tr> <tr><td>4</td><td>BLACK</td></tr> <tr><td>5</td><td>---</td></tr> </tbody> </table>	PIN	WIRE	1	BROWN	2	WHITE	3	BLUE	4	BLACK	5	---	<table border="1"> <thead> <tr> <th>PIN</th> <th>WIRE</th> </tr> </thead> <tbody> <tr><td>1</td><td>BROWN</td></tr> <tr><td>2</td><td>WHITE</td></tr> <tr><td>3</td><td>BLUE</td></tr> <tr><td>4</td><td>BLACK</td></tr> <tr><td>5</td><td>GREY</td></tr> <tr><td>6</td><td>---</td></tr> <tr><td>7</td><td>---</td></tr> <tr><td>8</td><td>---</td></tr> </tbody> </table>	PIN	WIRE	1	BROWN	2	WHITE	3	BLUE	4	BLACK	5	GREY	6	---	7	---	8	---	<table border="1"> <thead> <tr> <th>PIN</th> <th>WIRE</th> </tr> </thead> <tbody> <tr><td>1</td><td>WHITE</td></tr> <tr><td>2</td><td>BROWN</td></tr> <tr><td>3</td><td>GREEN</td></tr> <tr><td>4</td><td>YELLOW</td></tr> <tr><td>5</td><td>GREY</td></tr> <tr><td>6</td><td>PINK</td></tr> <tr><td>7</td><td>BLUE</td></tr> <tr><td>8</td><td>RED</td></tr> </tbody> </table>	PIN	WIRE	1	WHITE	2	BROWN	3	GREEN	4	YELLOW	5	GREY	6	PINK	7	BLUE	8	RED
PIN	WIRE																																																																												
1	BROWN																																																																												
2	---																																																																												
3	BLUE																																																																												
4	---																																																																												
5	---																																																																												
PIN	WIRE																																																																												
1	BROWN																																																																												
2	---																																																																												
3	BLUE																																																																												
4	BLACK																																																																												
5	---																																																																												
PIN	WIRE																																																																												
1	BROWN																																																																												
2	WHITE																																																																												
3	BLUE																																																																												
4	BLACK																																																																												
5	---																																																																												
PIN	WIRE																																																																												
1	BROWN																																																																												
2	WHITE																																																																												
3	BLUE																																																																												
4	BLACK																																																																												
5	GREY																																																																												
6	---																																																																												
7	---																																																																												
8	---																																																																												
PIN	WIRE																																																																												
1	WHITE																																																																												
2	BROWN																																																																												
3	GREEN																																																																												
4	YELLOW																																																																												
5	GREY																																																																												
6	PINK																																																																												
7	BLUE																																																																												
8	RED																																																																												
STANDARD	CODING REQUIRED TO IEC 61076-2-101																																																																												

TECHNICAL DATA					
	T41522X4002-XXX	T41522X4003-XXX	T41522X4004-XXX	T41522X4005-XXX	T41522X4008-XXX
RATED VOLTAGE		250V		60V	30V
RATED IMPULSE VOLTAGE		2500V		1500V	800V
RATED CURRENT			4A		2A
POLLUTION DEGREE			3		
OVERVOLTAGE CATEGORY			II		
MATERIAL GROUP			II		
DEGREE OF PROTECTION			IP67		

THIS DRAWING IS A CONTROLLED DOCUMENT.

DIMENSIONS: mm	TOLERANCES UNLESS OTHERWISE SPECIFIED:	DWN: BLAZE PENG 10APR2021	
	0 PLC ±	CHK: KEVIN HUANG 10APR2021	
	1 PLC ±	APVD: CHRIS WANG 10APR2021	
	2 PLC ±	PRODUCT SPEC: 108-106140	
MATERIAL: -	3 PLC ±	APPLICATION SPEC: 114-137144	NAME: M12 CABLE ASSEMBLY DOUBLE END UNSHIELDED
	4 PLC ±	WEIGHT: -	SIZE: A200779
	ANGLES FINISH: -	CUSTOMER DRAWING	CAGE CODE: C-1SET311C02R0000
		SCALE: 1:1	DRAWING NO: 4 OF 5
		SHEET: 4 OF 5	REV: A

REVISIONS				
P	LTR	DESCRIPTION	DATE	APVD
		SEE SHEET 1		

TE MATERIAL NO. - NUMERICAL CODE

T 4 1 5 2 X X 0 0 X X - X X X

CATEGORY:
T41=M12X1
SENSOR/ACTUATOR

APPLICATION TYPE:
5=UNSHIELDED

SHAPE TYPE:
2=DOUBLE ENDED

CONNECTOR TYPE FOR SINGLE END:
1=PLUG MALE STRAIGHT
2=PLUG MALE R/A

CABLE TYPE:SEE TABLE
1=PVC
2=PUR

CONNECTOR TYPE FOR DOUBLE END:
3=RECEPTACLE FEMALE STRAIGHT
4=RECEPTACLE FEMALE R/A

POSITION:
02=2P
03=3P
04=4P
05=5P
08=8P

CABLE LENGTH:
STANDARD:
-001:0.5M
-002:1.0M
-003:1.5M
-004:3.0M
-005:5.0M
-006:7.0M
-007:10.0M
CUSTOMIZATION:
-XXX:XX.XM(>1.0M)
E.G.: -155:15.5M
-200:20.0M
-99X: 0.XM(<1.0M)
E.G.: -992:0.2M
-998:0.8M

TE MATERIAL NO. - DESCRIPTION CODE

M12 - XX - XP - M12 - XX - PXX - **

CONNECTOR A:
M12X1 A-CODE
SENSOR/ACTUATOR

CONNECTOR TYPE:
MS=MALE STRAIGHT
MR=MALE RIGHT ANGLE

POSITION:
2P
3P
4P
5P
8P

CONNECTOR B:
M12X1 A-CODE
SENSOR/ACTUATOR

CONNECTOR TYPE:
FS=FEMALE STRAIGHT
FR=FEMALE RIGHT ANGLE

CABLE TYPE:
PVC
PUR

CABLE LENGTH:
0.5:0.5M,
1.0:1.0M,
1.5:1.5M,
3.0:3.0M,
5.0:5.0M,
7.0:7.0M,
10.0:10.0M,
...

CABLE INFORMATION

CABLE TYPE	NO. OF WIRES	CROSS SECTION	CABLE JACKET	UL	FIXED:TEMP.	FLEXIBLE:TEMP.
1	2/3/4/5	0.34mm ²	PVC BLACK	UL2464	-10°C~+80°C	-5°C~+80°C
1	8	0.25mm ²	PVC BLACK	UL2464	-10°C~+80°C	-5°C~+80°C
2	2/3/4/5	0.34mm ²	PUR GREY	UL20549	-40°C~+80°C	-25°C~+80°C
2	8	0.25mm ²	PUR GREY	UL20549	-40°C~+80°C	-25°C~+80°C

CABLE LENGTH TOLERANCE

OVER	UP TO AND INCLUDING	TOLERANCES
0	1000mm	±30mm
1000mm	4000mm	±50mm
4000mm	5000mm	±60mm
5000mm	10000mm	±80mm
10000mm	>	±1.5% OF CABLE LENGTH

NOTE:

- 1. CODE POSITION INDICATOR
- 2. RECOMMENDED TORQUE 0.6 Nm
- 3. CABLE ASSEMBLY TO BE PACKAGED IN POLYBAGS
- 4. LABEL CONTAINS: PN, DATE CODE...

PART LIST

M12-MS-4P-M12-FS-PUR-1.0	T4152123004-002	ISET313169R0000
M12-MS-4P-M12-FS-PUR-3.0	T4152123004-004	ISET313171R0000
M12-MS-4P-M12-FS-PUR-5.0	T4152123004-005	ISET313172R0000
M12-MS-5P-M12-FS-PUR-1.0	T4152123005-002	ISET313176R0000
M12-MS-5P-M12-FS-PUR-3.0	T4152123005-004	ISET313178R0000
M12-MS-5P-M12-FS-PUR-5.0	T4152123005-005	ISET313179R0000
M12-MS-4P-M12-FR-PUR-1.0	T4152124004-002	ISET313204R0000
M12-MS-4P-M12-FR-PUR-3.0	T4152124004-004	ISET313206R0000
M12-MS-4P-M12-FR-PUR-5.0	T4152124004-005	ISET313207R0000
M12-MS-5P-M12-FR-PUR-1.0	T4152124005-002	ISET313211R0000
M12-MS-5P-M12-FR-PUR-3.0	T4152124005-004	ISET313213R0000
M12-MS-5P-M12-FR-PUR-5.0	T4152124005-005	ISET313214R0000
M12-MR-4P-M12-FS-PUR-1.0	T4152223004-002	ISET313309R0000
M12-MR-4P-M12-FS-PUR-3.0	T4152223004-004	ISET313311R0000
M12-MR-4P-M12-FS-PUR-5.0	T4152223004-005	ISET313312R0000
M12-MR-5P-M12-FS-PUR-1.0	T4152223005-002	ISET313316R0000
M12-MR-5P-M12-FS-PUR-3.0	T4152223005-004	ISET313318R0000
M12-MR-5P-M12-FS-PUR-5.0	T4152223005-005	ISET313319R0000
M12-MR-4P-M12-FR-PUR-1.0	T4152224004-002	ISET313344R0000
M12-MR-4P-M12-FR-PUR-3.0	T4152224004-004	ISET313346R0000
M12-MR-4P-M12-FR-PUR-5.0	T4152224004-005	ISET313347R0000
M12-MR-5P-M12-FR-PUR-1.0	T4152224005-002	ISET313351R0000
M12-MR-5P-M12-FR-PUR-3.0	T4152224005-004	ISET313353R0000
M12-MR-5P-M12-FR-PUR-5.0	T4152224005-005	ISET313354R0000
PRODUCT TYPE		ENTELEC PN

THIS DRAWING IS A CONTROLLED DOCUMENT.		DWN BLAZE PENG 10APR2021		
DIMENSIONS: mm		CHK KEVIN HUANG 10APR2021		
TOLERANCES UNLESS OTHERWISE SPECIFIED:		APVD CHRIS WANG 10APR2021	NAME M12 CABLE ASSEMBLY DOUBLE END UNSHIELDED	
		PRODUCT SPEC 108-106140	SIZE A200779	
MATERIAL -		APPLICATION SPEC 114-137144	DRAWING NO C=ISET311C02R0000	
FINISH -		WEIGHT -	RESTRICTED TO -	
CUSTOMER DRAWING		SCALE 1:1		SHEET 5 OF 5
				REV A