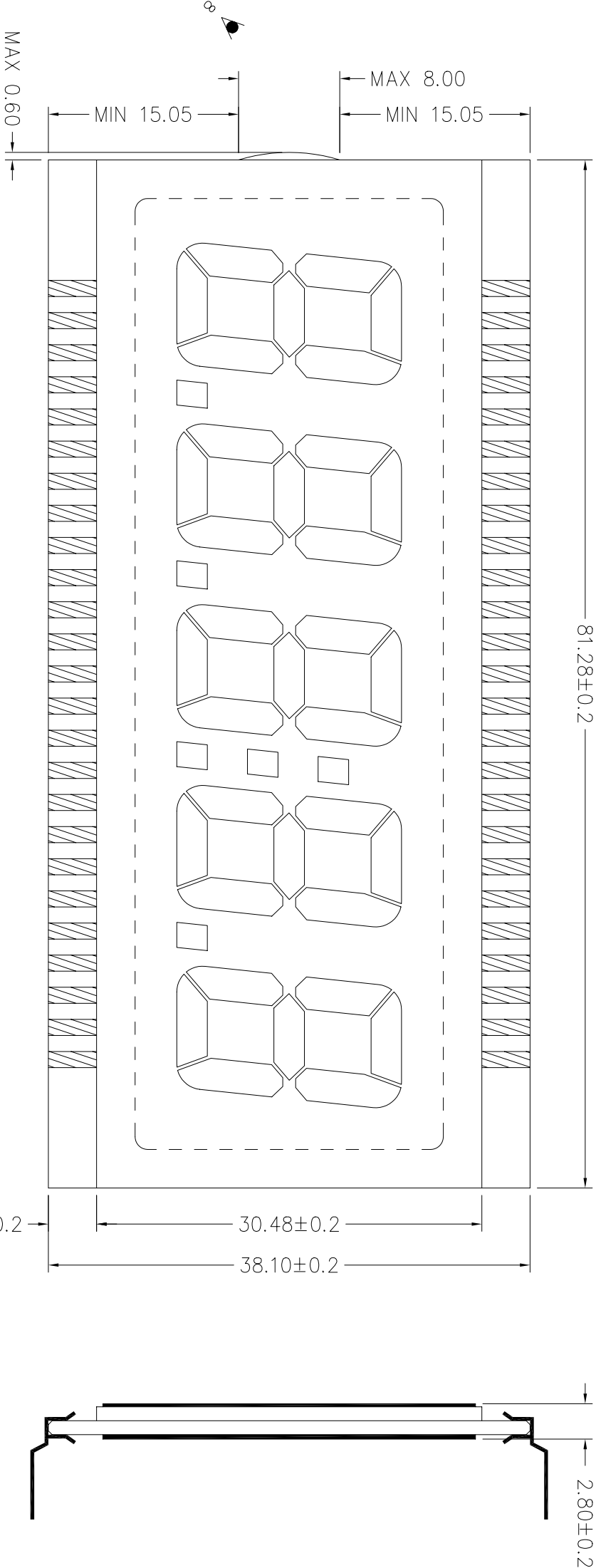


LAYOUT INSPECTION

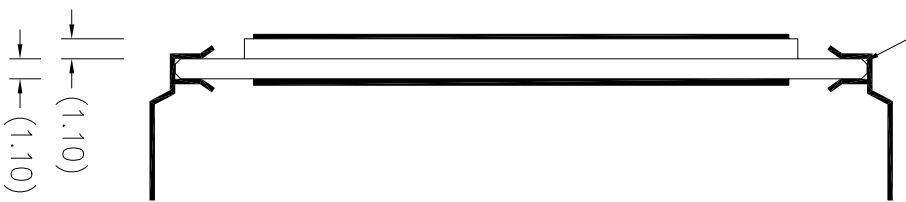
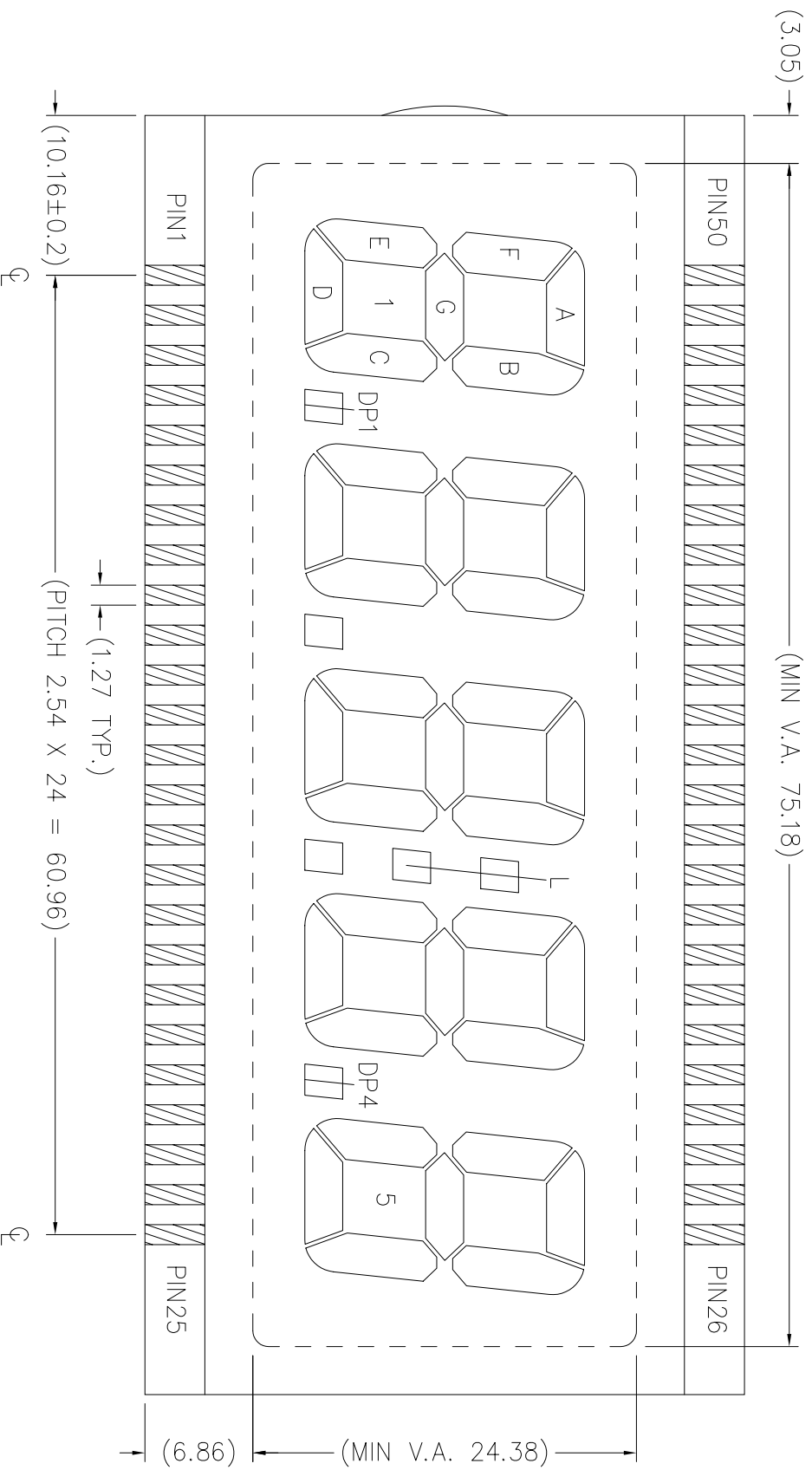


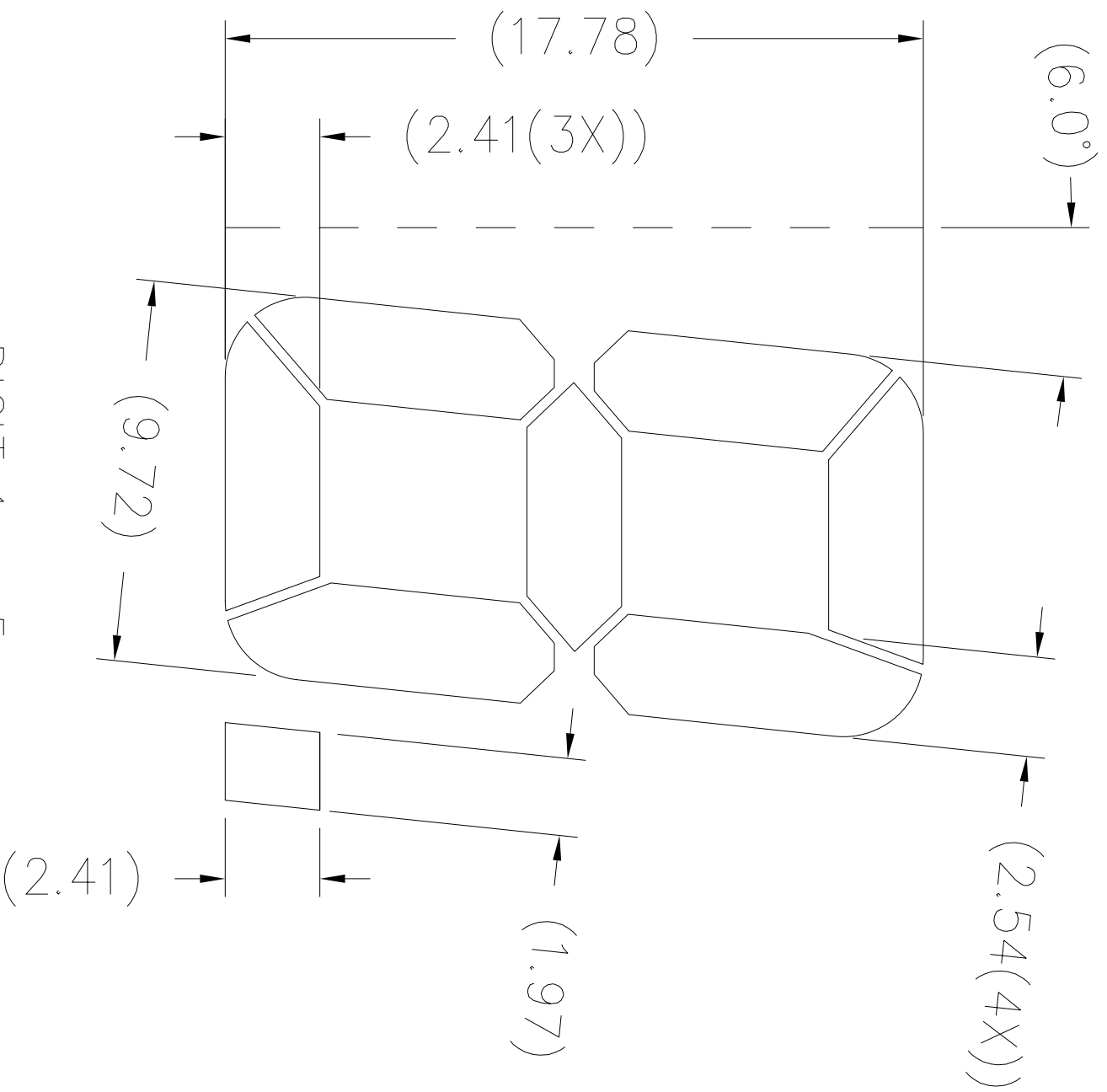
REMARKS: "◇" SPECIAL CHARACTERISTIC
 " + " SAFETY CHARACTERISTIC
 " () " REFERENCE ONLY

| | | | |
|-----------------------------|--|----------------------------------|--|
| DWG. NO. : VI-503-DP | | REV : 0 | |
| VARTTRONIX LTD. | | DIMENSION : mm | |
| Dimension : mm | | TOL : ±0.2 IF NOT SPECIFY | |
| Drawn by : ZHP | | DID NOT SCALE DRAWING | |
| Checked by : YIN | | 3 rd ANGLE PROJECTION | |
| Date : 2005-01-25 | | | |
| SIGN : | | Date : | |

DWG.NO.: VI-503-DP (REV.0)

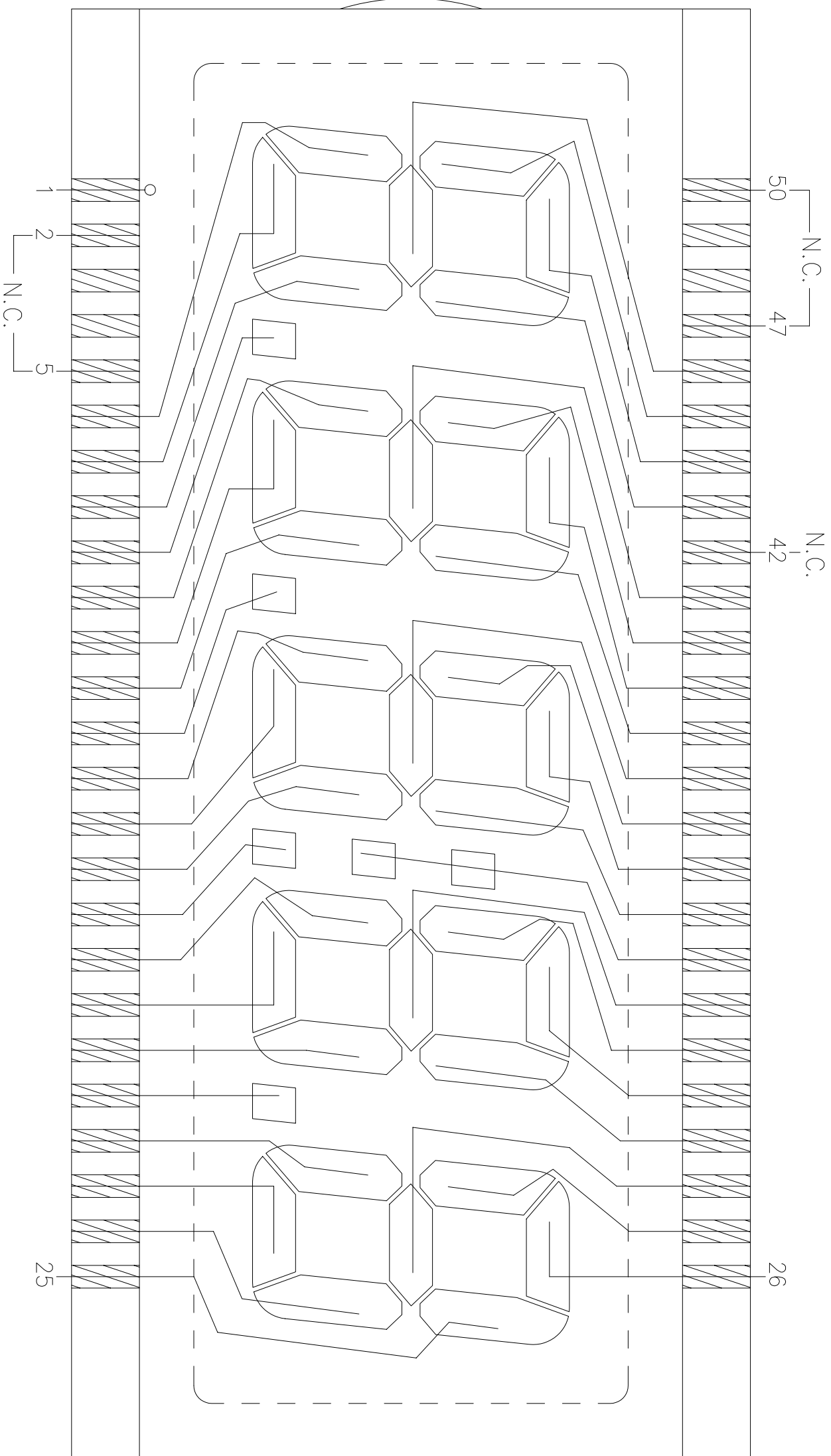
(BEVEL EDGE(4X))





DWG.NO.: VI-503-DP (REV.0)

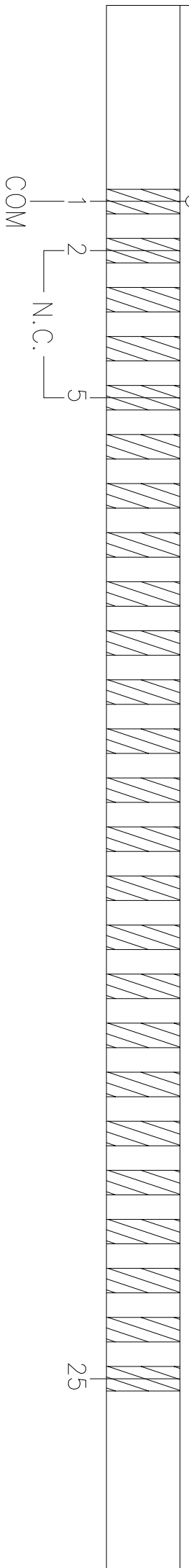
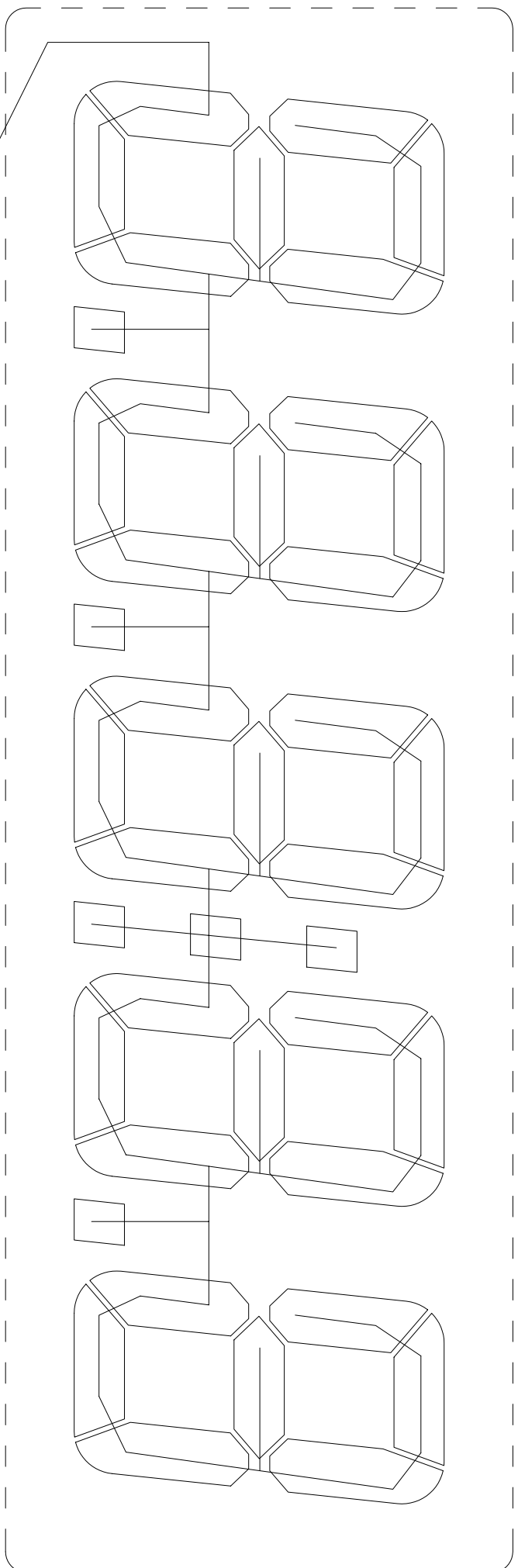
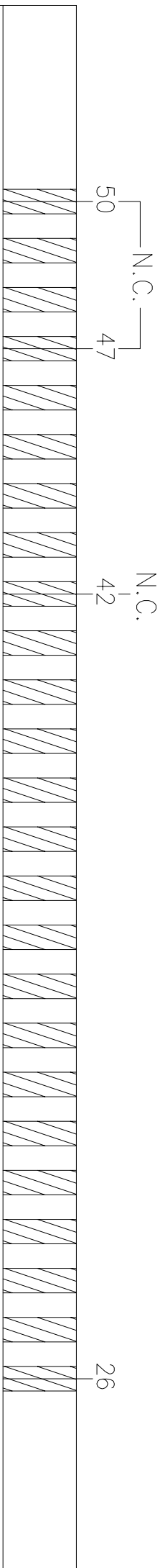
SEGMENT TRACKING



REMARKS : N.C. = NO CONNECTION

DWG.NO.: VI-503-DP (REV.0)

COMMON TRACKING



REMARKS : N.C. = NO CONNECTION

VARITRONIX LIMITED

POLARIZER LOCATION DIAGRAM

OPEN LAYER :
P

SCALE

Do not scale

Drawn by : ZHP

Date : 2005-01-25

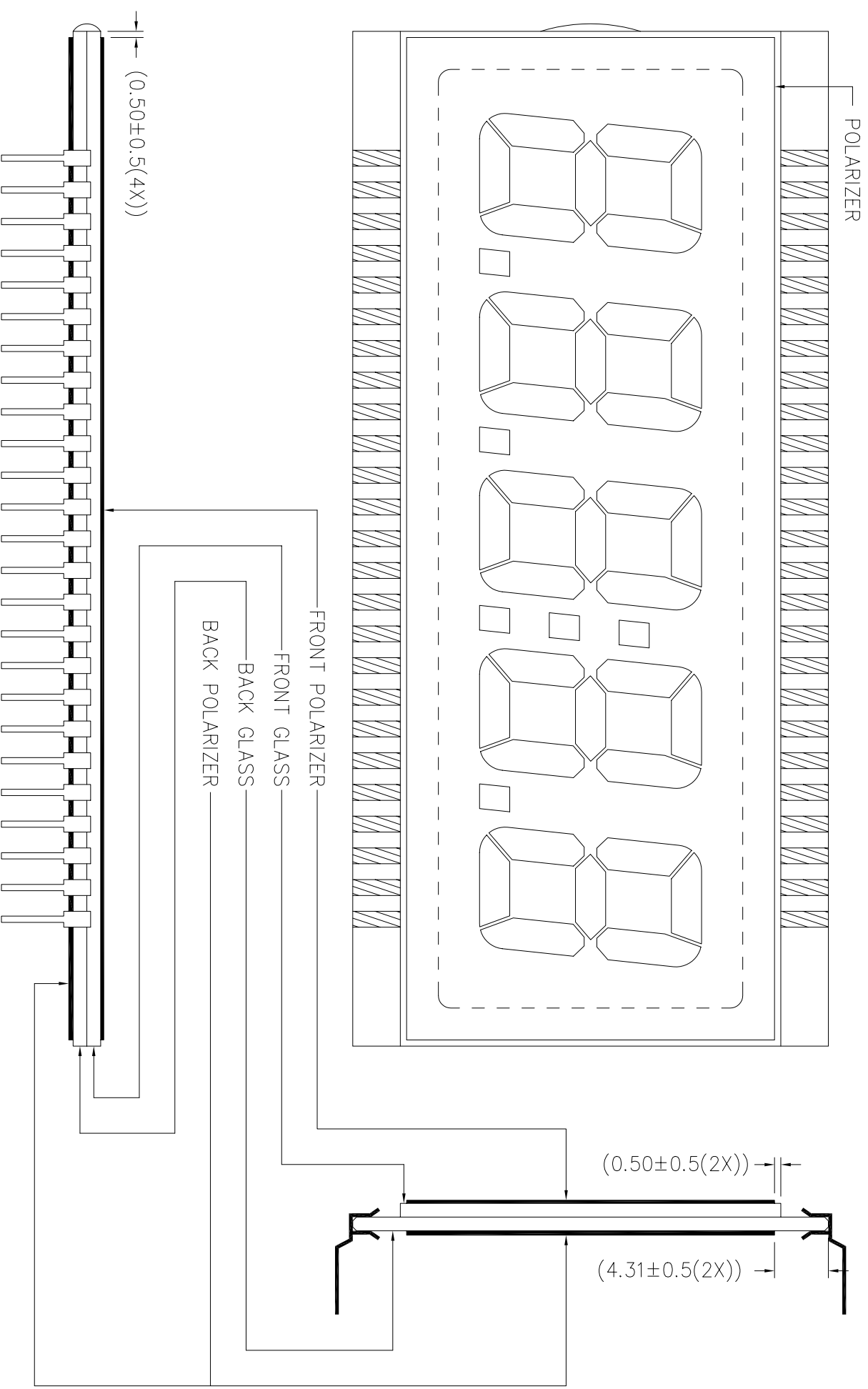
DOC. NO. : PL-VI-503-DP-01

Checked by : INA

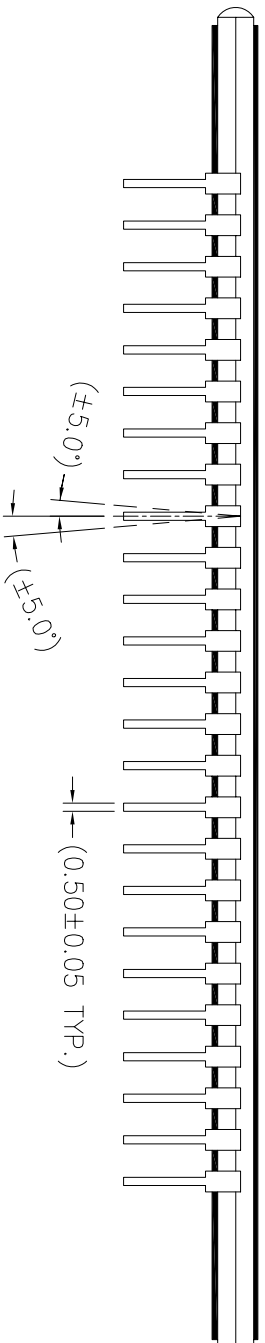
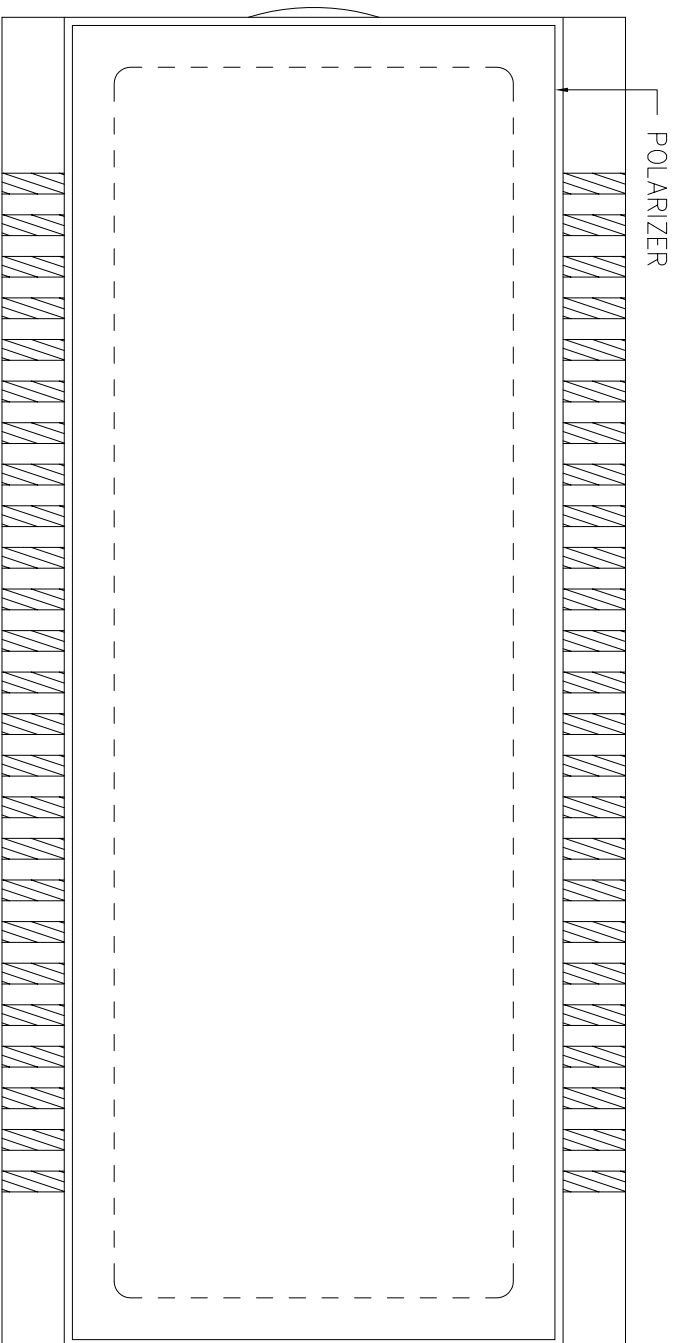
Date : 2005-01-25

Approval by :

Date : 2005-01-25

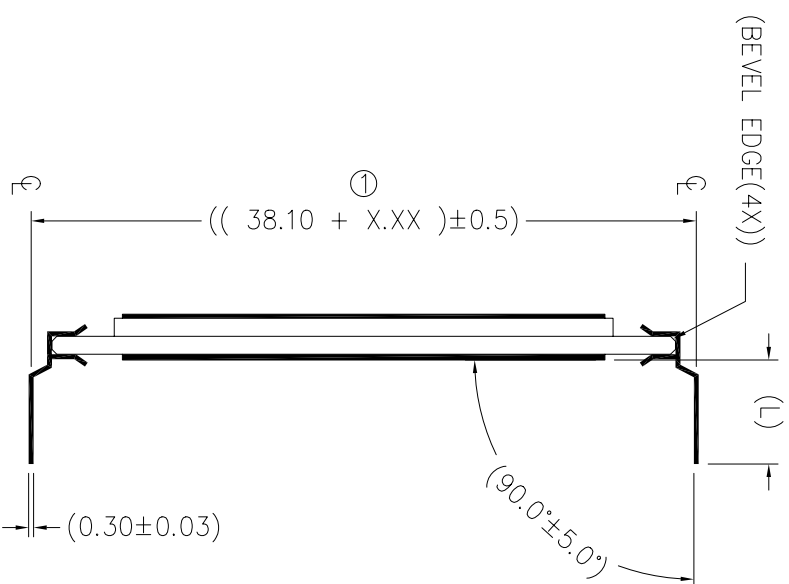


| | | | |
|---|----------------|-------------------|-------------------|
| VARITRONIX LIMITED | | OPEN LAYER : | SCALE |
| DIL-PIN DETAILS LOCATION DIAGRAM | | DP-LO | Do not scale |
| DOC. NO. : DP-VI-503-DP-01 | Drawn by : ZHP | Checked by : INA | Date : 2005-01-25 |
| ALL DIMENSIONS IN mm | Approval by : | Date : 2005-01-25 | |



REMARKS: PIN LENGTH (L) REFER TO COVER PAGE

- ① ----- X.XX=2.54 (FOR PIN LENGTH ≥ 3.20 & ≤ 10.00mm)
- X.XX=1.75 (FOR PIN LENGTH > 10.00 & ≤ 19.50mm)



DWG.NO.: VI-503-DP (REV.0)

| PIN | COM | PIN | COM |
|-----|------|-----|------|
| 1 | COM | 26 | 5A |
| 2 | N.C. | 27 | 5F |
| 3 | N.C. | 28 | 5G |
| 4 | N.C. | 29 | 4B |
| 5 | N.C. | 30 | 4A |
| 6 | 1E | 31 | 4F |
| 7 | 1D | 32 | 4G |
| 8 | 1C | 33 | L |
| 9 | DP1 | 34 | 3B |
| 10 | 2E | 35 | 3A |
| 11 | 2D | 36 | 3F |
| 12 | 2C | 37 | 3G |
| 13 | DP2 | 38 | 2B |
| 14 | 3E | 39 | 2A |
| 15 | 3D | 40 | 2F |
| 16 | 3C | 41 | 2G |
| 17 | DP3 | 42 | N.C. |
| 18 | 4E | 43 | 1B |
| 19 | 4D | 44 | 1A |
| 20 | 4C | 45 | 1F |
| 21 | DP4 | 46 | 1G |
| 22 | 5E | 47 | N.C. |
| 23 | 5D | 48 | N.C. |
| 24 | 5C | 49 | N.C. |
| 25 | 5B | 50 | N.C. |

REMARKS : N.C. = NO CONNECTION