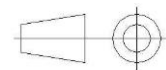
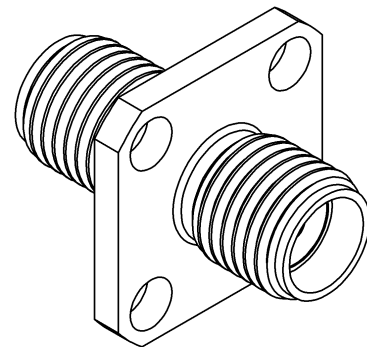
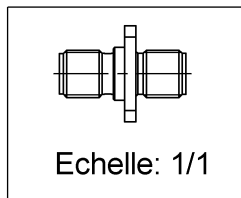
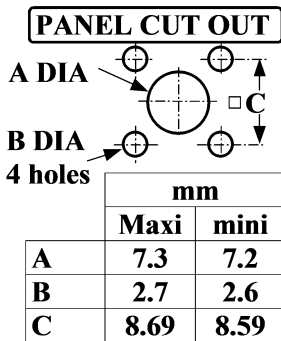
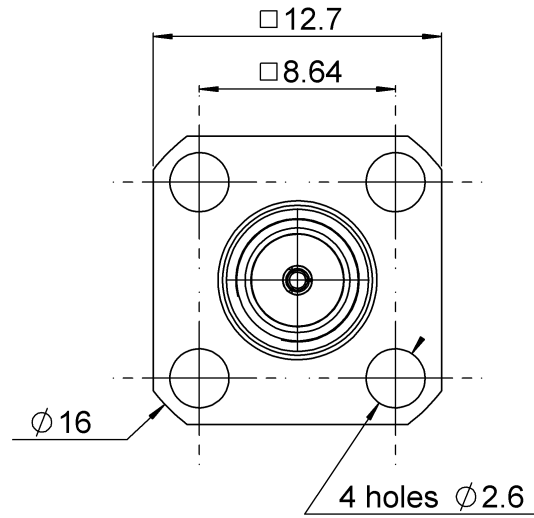
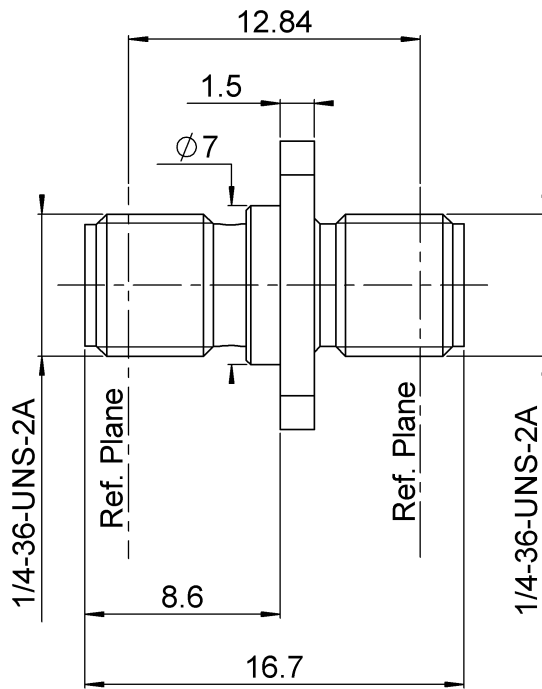


PAGE 1/2	ISSUE 23-04-15A	SERIES SMA	PART NUMBER R125710021
----------	-----------------	------------	------------------------



All dimensions are in mm.

COMPONENTS	MATERIALS	PLATING (µm)
Body	<b>STAINLESS STEEL</b>	<b>PASSIVATED.</b>
Center contact	<b>BERYLLIUM COPPER</b>	<b>GOLD 1.3 OVER NICKEL2</b>
Outer contact	-	-
Insulator	<b>PTFE</b>	-
Gasket	-	-
Others parts	-	-
-	-	-
-	-	-

PAGE 2/2	ISSUE <b>23-04-15A</b>	SERIES <b>SMA</b>	<b>PART NUMBER R125710021</b>
----------	------------------------	-------------------	-------------------------------

**PACKAGING**

Standard	Unit	Other
<b>100</b>	<b>Contact us</b>	<b>Contact us</b>

**ELECTRICAL CHARACTERISTICS**

Impedance		<b>50</b>	Ω	
Frequency		<b>0-18</b>	GHz	
VSWR	<b>1.06*</b> +	<b>0,0050</b>	x F(GHz) Maxi	
Insertion loss		<b>0.07*</b>	√F(GHz) dB Maxi	
RF leakage	- (	<b>90*</b>	- F(GHz) dB Maxi	
Voltage rating		<b>500</b>	Veff Maxi	
Dielectric withstanding voltage		<b>1000</b>	Veff mini	
Insulation resistance		<b>5000</b>	MΩ mini	

**ENVIRONMENTAL**

Operating temperature	<b>-65/+165</b>	°C
Hermetic seal	<b>NA</b>	Atm.cm3/s
Panel leakage	<b>NA</b>	

**MECHANICAL CHARACTERISTICS**

Center contact retention			
Axial force – Mating End		<b>27</b>	N mini
Axial force – Opposite end		<b>27</b>	N mini
Torque		<b>NA</b>	N.cm mini
Recommended torque			
Mating		N.cm	
Panel nut		N.cm	
Mating life		<b>500</b>	Cycles mini
Weight		<b>3,3100</b>	g

**SPECIFICATION**

**OTHER CHARACTERISTICS**

Assembly instruction:

Others:

**\*Coaxial Transmission Line Only**