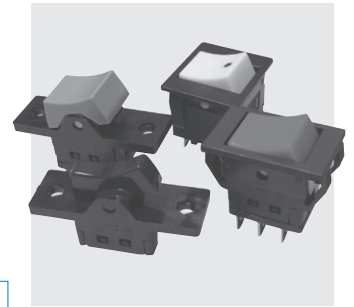


HLA·HLC·HLS

Miniature Rocker Switches



UL CSA

RoHS Compliant

Features

Economical prices are achieved through out-and-out VA and silver-saving design. Contact stability and high reliability are ensured thanks to the adoption of the seesaw type sliding contact mechanism (patented) (see the figure below) and the switches are usable for a wide range of current capacity from 1 mA to 12 A. In addition, the self-extinguishing phenol resin is used for the housing material, thereby ensuring excellent insulation and surge resistance. All models (excluding HLS308A) are UL and CSA approved for high reliability.

● For the detailed specifications, see Common Specifications on page 564.

Part Numbering

HLA **1** **12** **A** **12**

Series code Number of poles Current Switching function Terminal style

Series code	Actuator shape
HLA	
HLC	
HLS	

Fig.	Number of poles
1	1 pole
2	2 poles
3	3 poles

Fig.	Current
08	8A
12	12A

Code		Switching function	
1 pole/2 poles/3 poles			
A	K	OFF	— ON
D	N	ON	— ON

Fig.	Terminal styles
None	TAB:#187 (t=0.5)
12	Solder Terminal

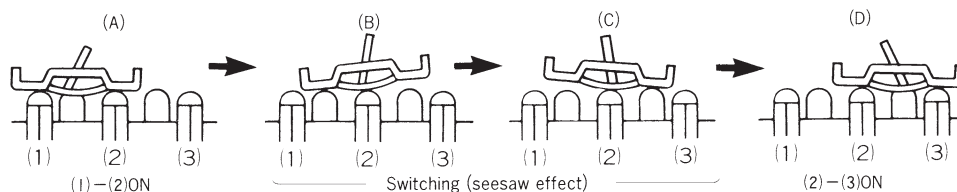
Terminal Styles

1 pole		2 poles, 3poles	
TAB #187 Style : -	Solder Terminal Style : 12	TAB #187 Style : -	Solder Terminal Style : 12
t=0.5	t=1	t=0.5	t=0.5

Note: For the overseas standards, see page 326.

Seesaw Type Sliding Mechanism (Patented)

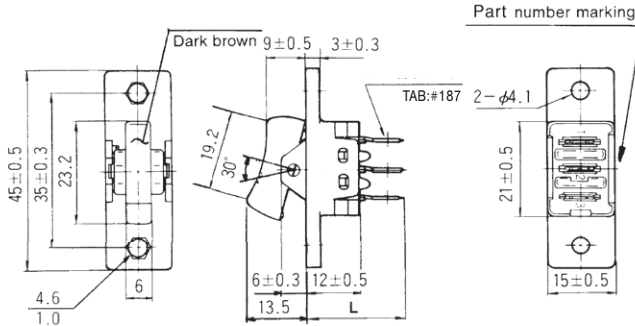
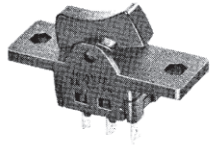
The movable contact moves from (A) to (B) as it wipes the contact surface and, at (B) and (C), the switching feel can be obtained due to the seesaw effect on the common terminal (2). Then, the movable contact moves from (C) to (D) as it wipes the contact surface and, at the point (D), the common terminal (2) and the terminal (3) are turned ON.



HLA

HLA112

1 pole



Dimension L

Terminal style	TAB:#187	Solder Terminal
Part No.	22	18.5

Part No.	Viewed from part No. marking side	
HLA112A	OFF	ON
Connecting terminals	-	2-1
HLA208K	OFF	ON
Connecting terminals	-	2-1 5-4

To check the Part No. marked with the refer to the List of Part Numbers shown below.

TAB:#187 Terminal

Terminal numbers are shown on the bottom of the switch.

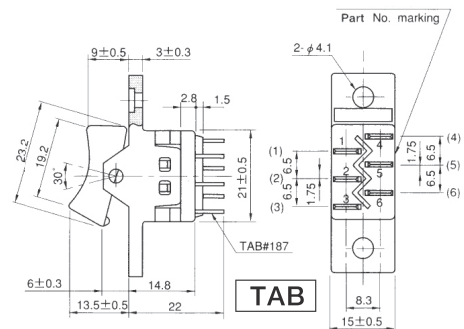
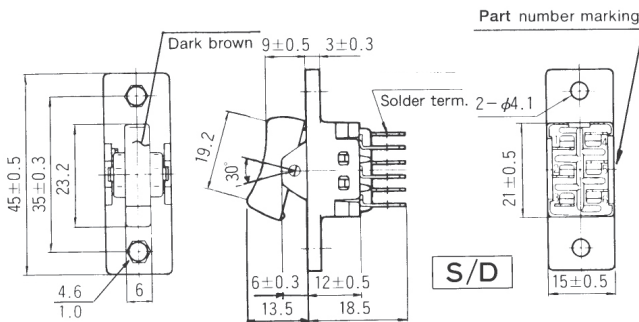
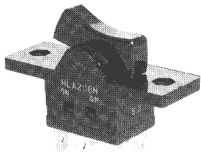
The switching function Type "A" is without terminal number (3).

Specifications

Rating		Initial contact resistance	Dielectric strength	Insulation resistance	Electrical life
HLA112A	AC125V 12A Max.	20mΩ Max. (DC2~4V 1A)	AC1500V 1 minute	100MΩ Min. (DC500V)	15,000 cycles
	AC250V 6A Max.				
	AC-DC6V 1mA Min.				

HLA208

2 Poles



Terminal numbers are shown on the bottom of the switch.

The switching function Type "K" is without terminal numbers (3) and (6).

Specifications

Rating		Initial contact resistance	Dielectric strength	Insulation resistance	Electrical life
HLA208K	AC125V 8A Max.	20mΩ Max. (DC2~4V 1A)	AC1500V 1 minute	100MΩ Min. (DC500V)	15,000 cycles
	AC250V 5A Max.				
	AC-DC6V 1mA Min.				

Panel Cut-Out Dimension

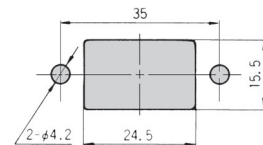


Table of Part Numbers

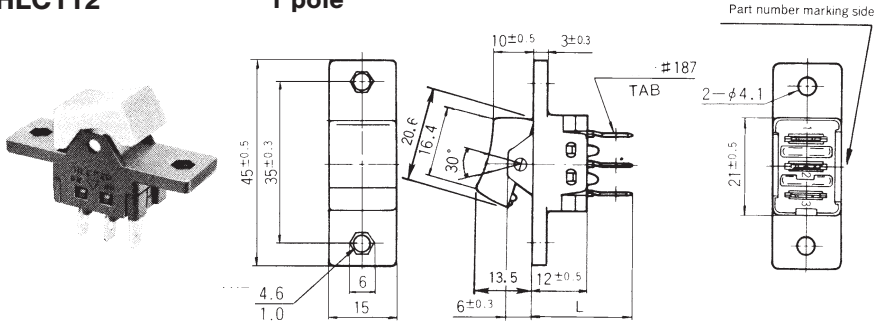
Series	Switching function	TAB terminals (#187)		Solder terminals		
		1-pole	2-pole	1-pole	2-pole	3-pole
HLA	OFF - ON	★ HLA112A	★ HLA208K	★ HLA112A12	HLA208K12	—
	ON - ON	—	—	★ HLA112D12	—	—
HLC	OFF - ON	HLC112A	HLC208K	—	☆ HLC208K12	—
	ON - ON	—	★ HLC208N	—	★ HLC208N12	—
HLS	OFF - ON	HLS112A	HLS208K	☆ HLS112A12	HLS208K12	HLS308A12
	ON - ON	HLS112D	HLS208N	★ HLS112D12	☆ HLS208N12	—

Placing an order

The button color of the HLA type is brown only. Replacement of button is not possible. Some products in the List of UL- and CSA-approved Products are not registered yet. Before placing the order, check with our Sales Department.

HLC112

1 pole



TAB:#187 Terminal

Terminal numbers are shown on the bottom of the switch.

The switching function Type "A" is without terminal number (3).

Specifications

Rating		Initial contact resistance	Dielectric strength	Insulation resistance	Electrical life
HLC112A	AC125V 12A Max.	20mΩ Max. (DC2~4V 1A)	AC1500V 1 minute	100MΩ Min. (DC500V)	15,000 cycles
	AC250V 6A Max.				
	AC·DC6V 1mA Min.				

Dimension L

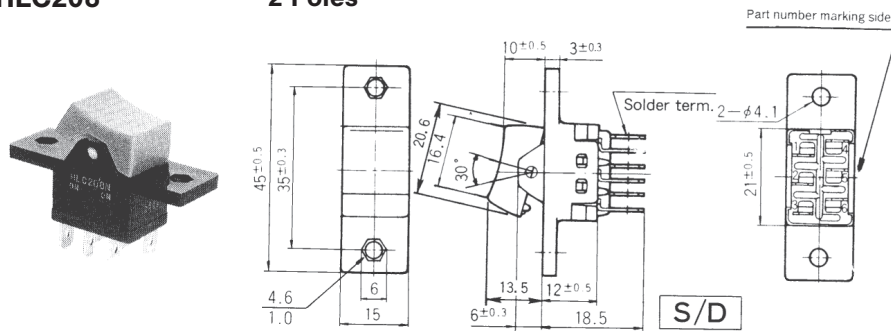
Terminal style	TAB:#187	Solder Terminal
Part No.		
HLC112A	22	18.5

Part No.	Viewed from part No. marking side	
HLC112A	OFF	ON
Connecting terminals	-	2-1
HLC208K	OFF	ON
Connecting terminals	-	2-1 5-4
HLC208N	ON	ON
Connecting terminals	2-3 5-6	2-1 5-4

To check the Part No. marked with the ■, refer to List of Part Numbers on Page 325.

HLC208

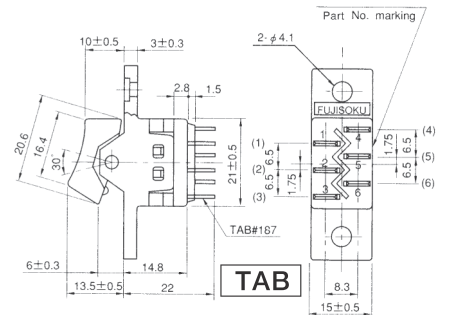
2 Poles



Solder Terminal

Terminal numbers are shown on the bottom of the switch.

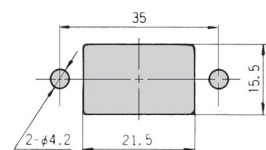
The switching function Type "K" is without terminal numbers (3) and (6).



Specifications

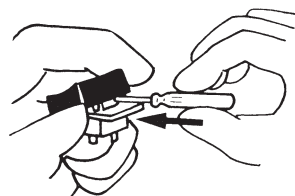
Rating		Initial contact resistance	Dielectric strength	Insulation resistance	Electrical life
HLC208K HLC208N	AC125V 8A Max.	20mΩ Max. (DC2~4V 1A)	AC1500V 1 minute	100MΩ Min. (DC500V)	15,000 cycles
	AC250V 5A Max.				
	AC·DC6V 1mA Min.				

Panel Cut-Out Dimensions



Mounting the HLC Type Button

The button can be replaced by pressing the button in the direction of the arrow.



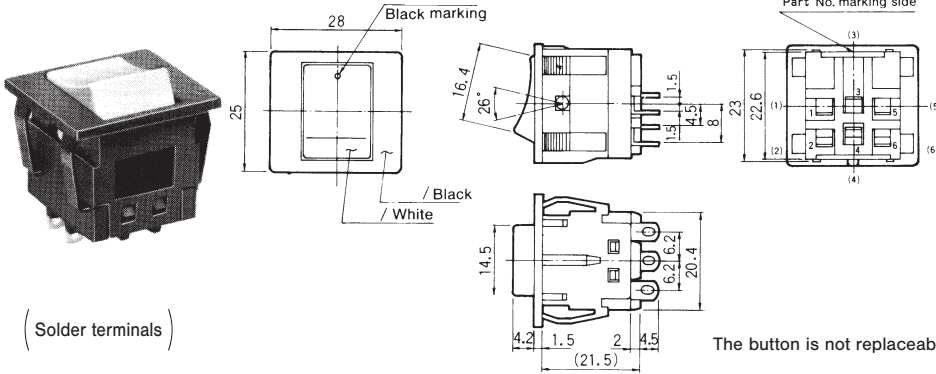
Placing an order

The button of the HLC type comes as an accessory. Choose one from the table on page 328 and specify the color in part number when placing an order.

HLS308

3-poles

Terminal numbers are shown on the bottom of the switch.



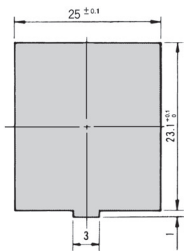
(Solder terminals)

Part No.	Marking	
HLS308A12	ON	OFF
Connecting terminals	1-2 3-4 5-6	-

Specifications

Rating		Initial contact resistance	Dielectric strength	Insulation resistance	Electrical life	Operating temperature range
Maximum rating	AC125V 8A AC250V 5A	100mΩ Max. (DC2~4V 1A)	AC2000V 1 minute	100MΩ Min. (DC500V)	5,000 cycles	-15~+85°C
Minimum rating	AC·DC6V 1mA					

Panel Cut-Out Dimensions



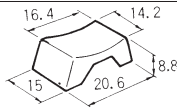

Panel thickness : 1~2mm

Soldering Specifications

Device : Soldering iron
420°C, Max.; 3 seconds, Max.

Accessories (For HLC·HLS : Without HLS308)

《Supplied separately》

Accessories	Standard accessories	Optional accessories		
Part name	Button	Button		
Dimensions		 <p>Dot marking with $\phi 2.5$ concave Matte finish</p>		
Button color	Part number	Button color	Dot marking	Part number
White	140000480738	White	Red	140000480874
Red	140000480628	White	Black	140000481081
Black	140000480621	Red	White	140000480711
Gray	140000480629	—	—	—
Green	140000480631	Black	White	140000480710
Blue	140000480632	Black	Red	140000480650