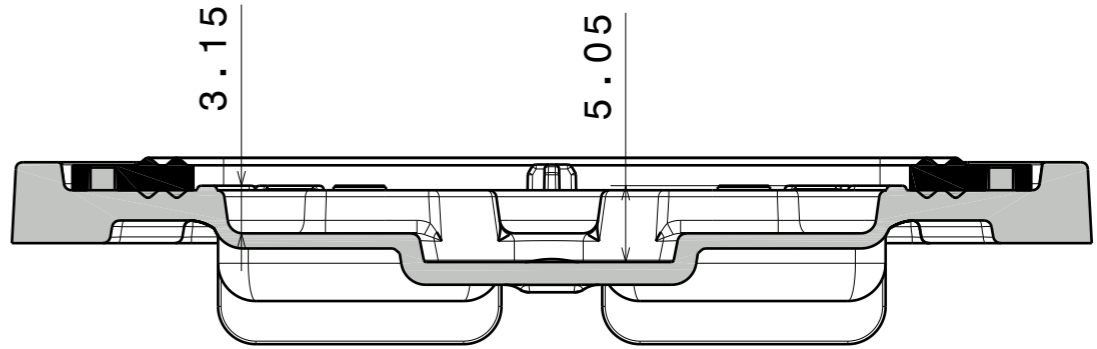
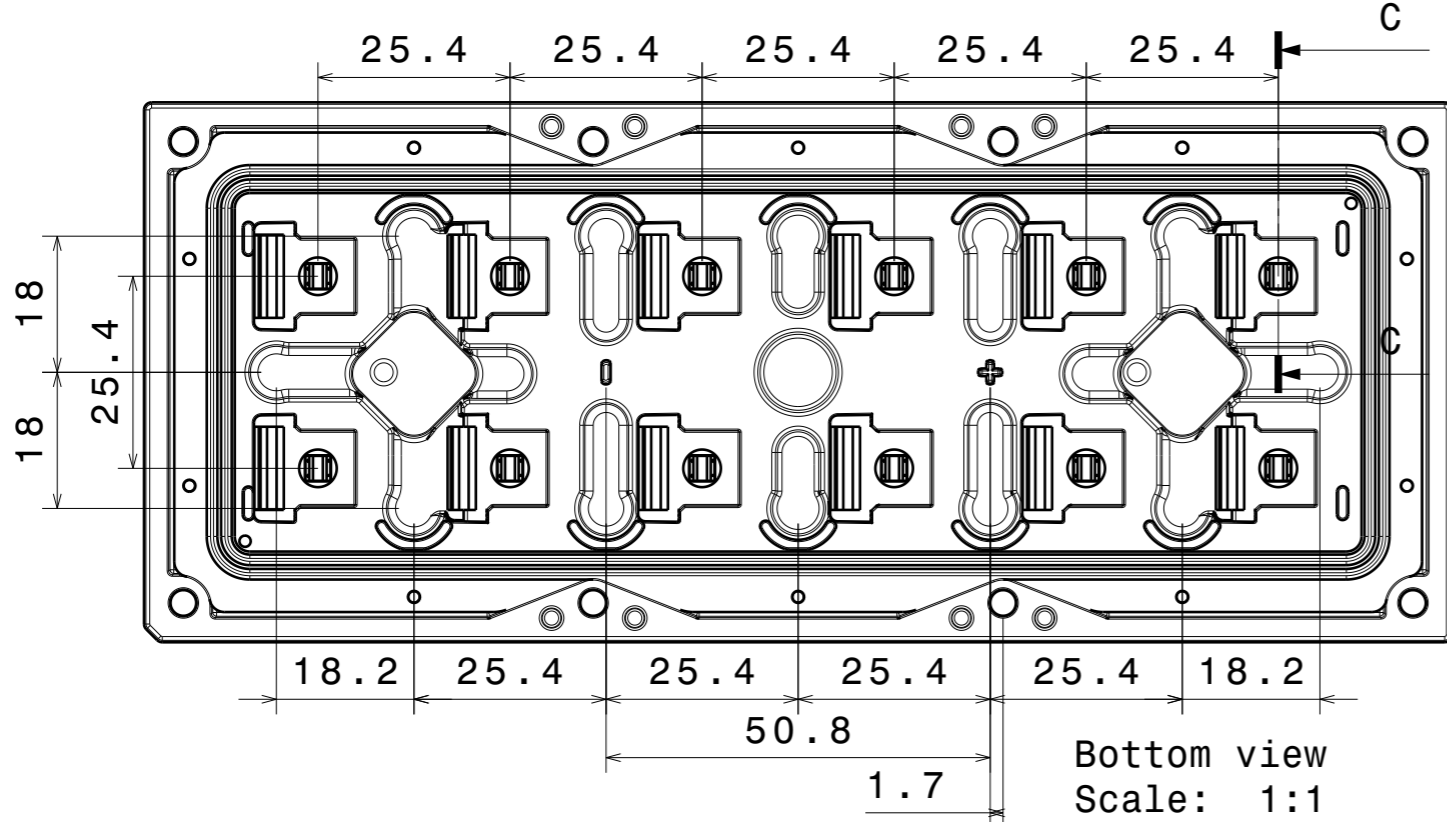


Beam direction



Pockets for wiring and screws

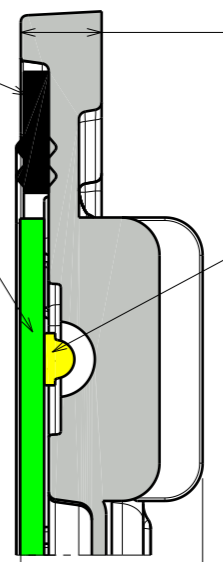
Section view A-A  
Scale: 2:1



Top view  
Scale: 1:1

Silicon seal with ribs

1,6mm thick PCB



Section view C-C  
Scale: 2:1

CS17307\_STRADA-IP-2X6-T2-B-PC

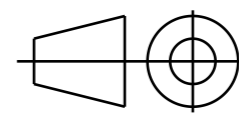
NO	PART	TYPE	MATERIAL	COLOR / COATING
1	C17306_STRADA-IP-2X6-T2-B-PC	LENS	PC	clear
2	C14018_2X6-SEAL25	SEAL		white

**MECHANICAL DRAWING**  
PRODUCT  
**STRADA**

**LEDiL®**

Plastic moulding general tolerances according to DIN 16901-130 and applies if not otherwise shown in the drawing. Silicone moulding general tolerances according to ISO 3302-1 Class M3 and applies if not otherwise shown in the drawing.

FIRST ANGLE PROJECTION:



This drawing is the property of LEDiL Oy. It may not be copied or otherwise distributed without prior written permission from LEDiL Oy.

SCALE	1:1	WEIGHT	-	A3	SHEET 1/1
-------	-----	--------	---	----	-----------

- Notes**
- PCB or heatsink level.
  - LED location
  - Ensure LED fitting from a product specific 3D model available from [www.ledil.com](http://www.ledil.com)
  - For more details about installation please see LEDiL Installation Guide on [www.ledil.com](http://www.ledil.com)