

Description

The 8T49N243 has one fractional-feedback PLL that can be used as a jitter attenuator and frequency translator. It is equipped with one integer and one fractional output divider, allowing the generation of up to two different output frequencies, ranging from 8kHz to 1GHz. These frequencies are completely independent of each other, the input reference frequencies and the crystal reference frequency. The device places virtually no constraints on input to output frequency conversion, supporting all FEC rates, including the new revision of ITU-T Recommendation G.709 (2009), most with 0ppm conversion error. The outputs may select among LVPECL, LVDS, HCSL or LVCMOS output levels.

This makes it ideal to be used in any frequency synthesis application, including 1G, 10G, 40G and 100G Synchronous Ethernet, OTN, and SONET/SDH, including ITU-T G.709 (2009) FEC rates.

The 8T49N243 accepts one differential or single-ended input clock and a fundamental-mode crystal input. The internal PLL can lock to the input reference clock or just to the crystal to behave as a frequency synthesizer. A second input reference (FBIN) is used as the external feedback input for zero delay buffer functionality.

The device monitors both input references for Loss of Signal (LOS), and generates an alarm when an input reference failure is detected.

The PLL has a register-selectable loop bandwidth from 0.2Hz to 6.4kHz. The device starts up with output Q0 set to 10MHz, and output Q1 set to 20MHz. Loop bandwidth is set to 25Hz. Input clock, CLK is set to 2.5MHz.

The device supports output enable inputs and Lock and LOS status outputs.

The device is programmable through an I²C interface.

Typical Applications

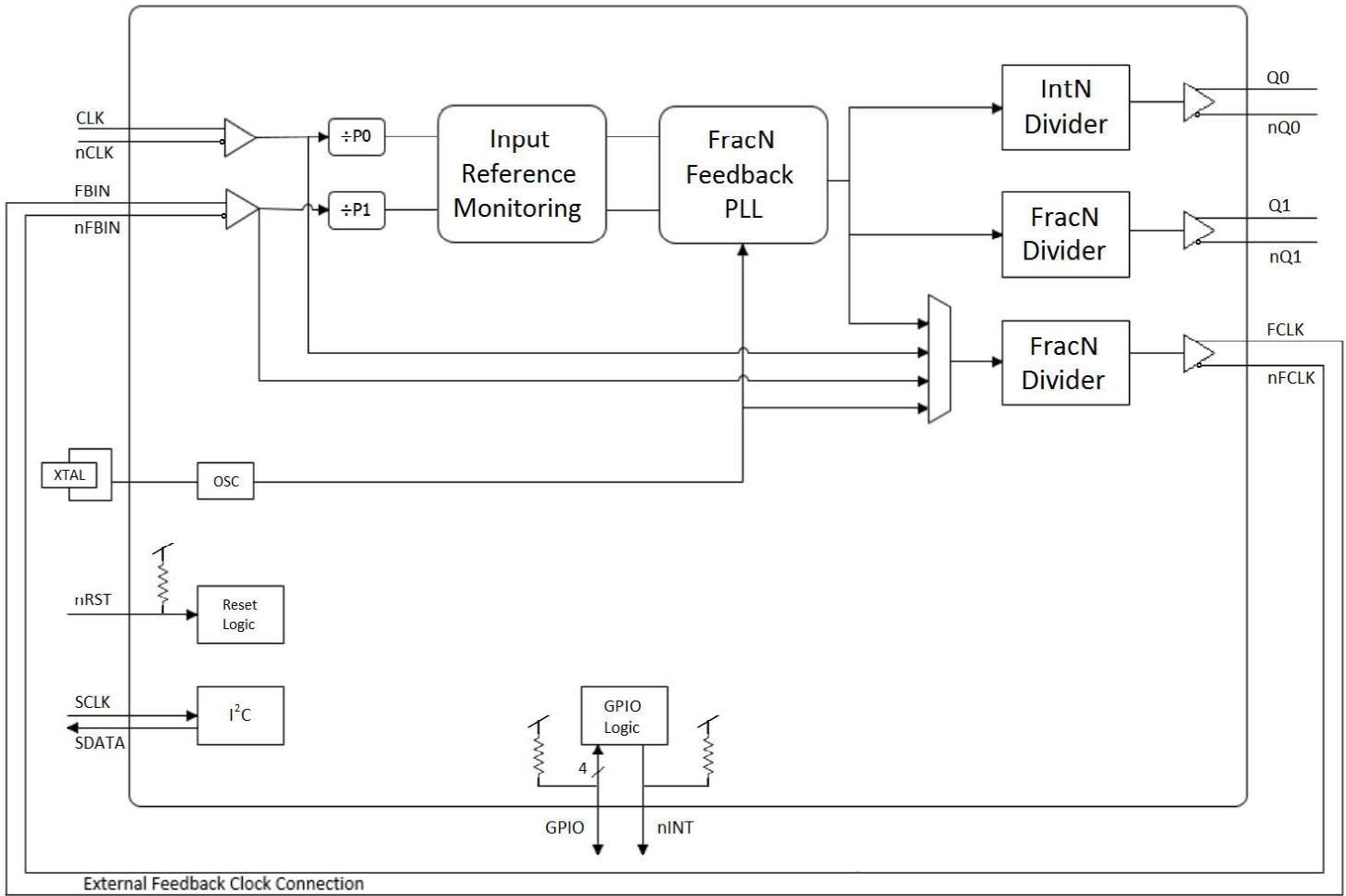
- OTN or SONET / SDH equipment
- Gigabit and Terabit IP switches / routers including Synchronous Ethernet
- Video broadcast

Features

- Supports SDH/SONET and Synchronous Ethernet clocks including all FEC rate conversions
- 375fs RMS typical jitter (including spurs): 12kHz to 20MHz
- Operating Modes: synthesizer, jitter attenuator
- Operates from a 10MHz to 50MHz fundamental-mode crystal or a 10MHz to 125MHz external oscillator
- Accepts one LVPECL, LVDS, LVHSTL or LVCMOS input clock
 - Accepts frequencies ranging from 8kHz to 875MHz
 - Clock input monitoring
- Generates two LVPECL / LVDS / HCSL or four LVCMOS device outputs
 - Output frequencies ranging from 8kHz up to 1.0GHz (differential)
 - Output frequencies ranging from 8kHz to 250MHz (LVCMOS)
 - One integer divider ranging from ÷4 to ÷786,420
 - Three fractional output dividers (see [Output Dividers](#))
- Programmable loop bandwidth settings from 0.2Hz to 6.4kHz
 - Optional fast-lock function
- Four general purpose I/O pins with optional support for status & control:
 - Two output enable control inputs provide control over the device outputs
 - Lock and Loss-of-Signal alarm outputs
- Open-drain Interrupt pin
- Register programmable through I²C
- Full 2.5V or 3.3V supply modes, 1.8V support for LVCMOS outputs, GPIO and control pins
- -40°C to 85°C ambient operating temperature
- Package: 40QFN, lead-free (RoHS 6)

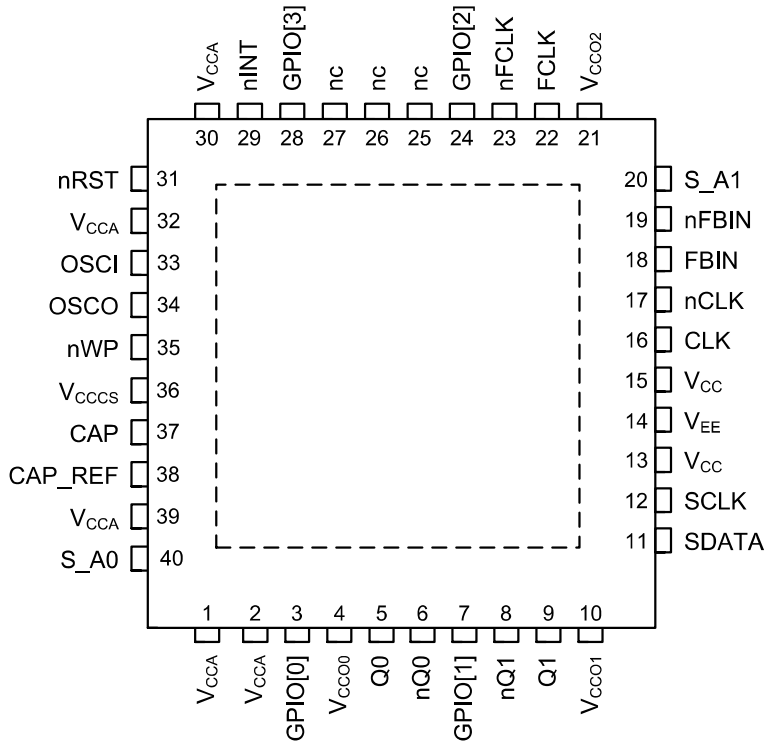
Block Diagram

Figure 1: Block Diagram



Pin Assignments

Figure 2: Pin Assignments for 6mm x 6mm 40-Lead Package



Transistor count: 454,200

Pin Description Table

Table 1: Pin Descriptions

| Number | Name | Type ^[a] | | Description |
|--------|-------------------|---------------------|-----------|---|
| 1 | V _{CCA} | Power | | Analog function supply for core analog functions. 2.5V or 3.3V supported. |
| 2 | V _{CCA} | Power | | Analog function supply for analog functions associated with the PLL. 2.5V or 3.3V supported. |
| 3 | GPIO[0] | I/O | Pullup | General-purpose input-output. LVTTTL / LVCMOS Input levels. |
| 4 | V _{CC00} | Power | | High-speed output supply for output pair Q0, nQ0. 2.5V or 3.3V supported for differential output types. LVCMOS outputs also support 1.8V. |
| 5 | Q0 | O | Universal | Clock output. Please refer to the Output Drivers for more details. |
| 6 | nQ0 | O | Universal | Clock output. Please refer to the Output Drivers for more details. |
| 7 | GPIO[1] | I/O | Pullup | General-purpose input-output. LVTTTL / LVCMOS Input levels. |
| 8 | nQ1 | O | Universal | Clock output. Please refer to the Output Drivers for more details. |
| 9 | Q1 | O | Universal | Clock output. Please refer to the Output Drivers for more details. |
| 10 | V _{CC01} | Power | | High-speed output supply for output pair Q1, nQ1. 2.5V or 3.3V supported for differential output types. LVCMOS outputs also support 1.8V. |
| 11 | SDATA | I/O | Pullup | I ² C interface bi-directional data. |

Table 1: Pin Descriptions

| Number | Name | Type ^[a] | | Description |
|--------|-------------------|---------------------|-------------------------|---|
| 12 | SCLK | I/O | Pullup | I ² C interface bi-directional clock. |
| 13 | V _{CC} | Power | | Core digital function supply. 2.5V or 3.3V supported. |
| 14 | V _{EE} | Power | | Negative supply voltage. All V _{EE} pins and ePAD must be connected before any positive supply voltage is applied. |
| 15 | V _{CC} | Power | | Core digital function supply. 2.5V or 3.3V supported. |
| 16 | CLK | I | Pulldown | Non-inverting differential clock input. |
| 17 | nCLK | I | Pullup / Pulldown | Inverting differential clock input. V _{CC} / 2 when left floating (set by internal pull-up / pulldown resistors) |
| 18 | FBIN | I | Pulldown | Non-inverting differential feedback clock input. Connect to FCLK, or the output of an external feedback divider, depending on application. |
| 19 | nFBIN | I | Pullup / Pulldown | Inverting differential feedback clock input. Connect to nFCLK, or the output of an external feedback divider, depending on application. V _{CC} / 2 when left floating (set by internal pull-up / pulldown resistors). |
| 20 | S_A1 | I | Pulldown | I ² C Address bit A1. |
| 21 | V _{CCO2} | Power | | High-speed output supply voltage for output pair FCLK, nFCLK. 2.5V or 3.3V supported for differential output types. LVCMOS outputs also support 1.8V. |
| 22 | FCLK | O | LVDS Levels | Differential clock output pair. LVDS levels. Connect to FBIN for the pre-configured frequency. |
| 23 | nFCLK | O | LVDS Levels | Differential clock output pair. LVDS levels. Connect to nFBIN for the pre-configured frequency. |
| 24 | GPIO[2] | I/O | Pullup | General-purpose input-output. LVTTTL / LVCMOS Input levels. |
| 25 | nc | Unused | | Do not connect. |
| 26 | nc | Unused | | Do not connect. |
| 27 | nc | Unused | | Do not connect. |
| 28 | GPIO[3] | I/O | Pullup | General-purpose input-output. LVTTTL / LVCMOS Input levels. |
| 29 | nINT | O | Open-drain with pull-up | Interrupt output. |
| 30 | V _{CCA} | Power | | Analog function supply for analog functions associated with PLL. 2.5V or 3.3V supported. |
| 31 | nRST | I | Pullup | Master Reset input. LVTTTL / LVCMOS interface levels: 0 = All registers and state machines are reset to their default values |
| 32 | V _{CCA} | Power | | Analog function supply for core analog functions. 2.5V or 3.3V supported. |
| 33 | OSCI | I | | Crystal input. Accepts a 10MHz – 50MHz reference from a clock oscillator or a 12pF fundamental mode, parallel-resonant crystal. For proper device functionality, a crystal or external oscillator must be connected to this pin. |
| 34 | OSCO | O | | Crystal Output. This pin must be connected to a crystal. If an oscillator is connected to OSCI, then this pin must be left unconnected. |

Table 1: Pin Descriptions

| Number | Name | Type ^[a] | | Description |
|--------|-------------------|---------------------|----------|--|
| 35 | nWP | I | Pullup | Write Protect input. LVTTTL / LVCMOS interface levels. 0 = Write operations on the serial port will complete normally, but will have no effect except on interrupt registers. |
| 36 | V _{CCCS} | Power | | Output supply for control & status pins: GPIO[3:0], SDATA, SCLK, S_A1, S_A0, nINT, nWP, nRST 1.8V, 2.5V or 3.3V supported |
| 37 | CAP | Analog | | PLL External Capacitance. A 0.1μF capacitance value across CAP and CAP_REF pins is recommended. |
| 38 | CAP_REF | Analog | | PLL External Capacitance. A 0.1μF capacitance value across CAP and CAP_REF pins is recommended. |
| 39 | V _{CCA} | Power | | Analog function supply for analog functions associated with PLL. 2.5V or 3.3V supported. |
| 40 | S_A0 | I | Pulldown | I ² C Address Bit A0. |
| ePAD | Exposed Pad | Power | | Negative supply voltage. All V _{EE} pins and ePAD must be connected before any positive supply voltage is applied. |

a. *Pullup* and *Pulldown* refer to internal input resistors. See [Table 26, Pin Characteristics](#), for typical values.

Principles of Operation

The 8T49N243 can be locked to the input clock and generate a wide range of synchronized output clocks.

It could be used for example in either the transmit or receive path of synchronous Ethernet equipment.

The 8T49N243 accepts one differential or single-ended input clock ranging from 8kHz up to 875MHz. It generates up to two output clocks ranging from 8kHz up to 1.0GHz.

The PLL path within the 8T49N243 supports two states: Lock and Free-run. The Lock status may be monitored on register bits and pins. In the locked state, the PLL locks to a valid clock input and its output clocks have a frequency accuracy equal to the frequency accuracy of the input clock. In the Free-run state, the PLL outputs a clock with the same frequency accuracy as the external crystal.

Upon power up, the PLL will enter Free-run state, in this state it generates output clocks with the same frequency accuracy as the external crystal. The 8T49N243 continuously monitors the clock input for activity (signal transitions). If no input reference is provided, the device will remain locked to the crystal in Free-run state and will generate output frequencies as a synthesizer.

When an input clock has been validated, the PLL will transition to the Lock state.

The device supports conversion of any input frequencies to two different independent output frequencies.

The 8T49N243 has a programmable loop bandwidth from 0.2Hz to 6.4kHz.

In default configuration, the device looks for a 2.5MHz input clock. The device starts up with output Q0 set to 10MHz and output Q1 set to 20MHz. Loop bandwidth is set to 25Hz.

The device monitors both input references and generates an alarm when an input clock failure is detected on either CLK or FBIN inputs.

The device is programmable through an I²C interface and may also autonomously read its register settings from an internal One-Time Programmable (OTP) memory.

Crystal Input

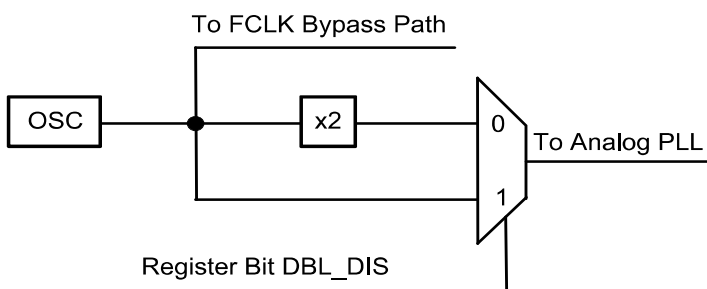
The crystal input on the 8T49N243 is capable of being driven by a parallel-resonant, fundamental mode crystal with a frequency range of 10MHz – 50MHz.

The oscillator input also supports being driven by a single-ended crystal oscillator or reference clock.

The long term drift will depend on the quality of the crystal or oscillator attached to this port.

This device provides the ability to double the crystal frequency input into the PLL for improved close-in phase noise performance. Refer to [Figure 3](#).

Figure 3: Doubler Block Diagram



Bypass Path

The crystal input or either reference input (CLK or FBIN) may be used directly as a clock source for the FCLK output dividers. This may only be done for input frequencies of 250MHz or less.

Input Clock Selection

The 8T49N243 accepts an input clock with frequencies ranging from 8kHz up to 875MHz. The clock input can accept LVPECL, LVDS, LVHSTL, HCSL or LVCMOS inputs using 1.8V, 2.5V or 3.3V logic levels.

The clock input does not support transmission of spread-spectrum clocking sources. Since this family is intended for high-performance applications, it will assume input reference sources to have stabilities of ± 100 ppm or better, except where gapped clock inputs are used.

Input Clock Monitor

The clock input is monitored for Loss of Signal (LOS). If no activity has been detected on the clock input within a user-selectable time period then the clock input is considered to be failed and an internal Loss-of-Signal status flag is set. The user-selectable time period has sufficient range to allow a gapped clock missing many consecutive edges to be considered a valid input.

User-selection of the clock monitor time-period is based on a counter driven by a monitor clock. The monitor clock is fixed at the frequency of the PLL's VCO divided by 8. With a VCO range of 3GHz - 4GHz, the monitor clock has a frequency range of 375MHz to 500MHz.

The monitor logic for the input reference will count the number of monitor clock edges indicated in the appropriate Monitor Control register. If an edge is received on the input reference being monitored, then the count resets and begins again. If the target edge count is reached before an input reference edge is received, then an internal soft alarm is raised and the count re-starts. During the soft alarm period, the PLL tracking will not be adjusted. If an input reference edge is received before the count expires for the second time, then the soft alarm status is cleared and the PLL will resume adjustments. If the count expires again without any input reference edge being received, then a Loss-of-Signal alarm is declared.

It is expected that for normal (non-gapped) clock operation, users will set the monitor clock count for each input reference to be slightly longer than the nominal period of that input reference. A margin of 2-3 monitor clock periods should give a reasonably quick reaction time and yet prevent false alarms.

For gapped clock operation, the user will set the monitor clock count to a few monitor clock periods longer than the longest expected clock gap period. The monitor count registers support 17-bit count values, which will support at least a gap length of two clock periods for any supported input reference frequency, with longer gaps being supported for faster input reference frequencies. Since gapped clocks usually occur on input reference frequencies above 100MHz, gap lengths of thousands of periods can be supported.

Using this configuration for a gapped clock, the PLL will continue to adjust while the normally expected gap is present, but will freeze once the expected gap length has been exceeded and alarm after twice the normal gap length has passed.

Once a LOS on either CLK or FBIN is detected, the appropriate internal LOS alarm will be asserted and it will remain asserted until that input clock returns and is validated. Validation occurs once 8 rising edges have been received on that input reference. If another error condition on the same input clock is detected during the validation time then the alarm remains asserted and the validation period starts over.

Each LOS flag may also be reflected on one of the GPIO[3:0] outputs. Changes in status of any reference can also generate an interrupt if not masked.

Input to Output Clock Frequency

The 8T49N243 is designed to accept any frequency within its input range and generate two different output frequencies that are independent from the input frequencies and from each other. The internal architecture of the device ensures that most translations will result in the exact output frequency specified. Please contact IDT for configuration software or other assistance in determining if a desired configuration will be supported exactly.

Synthesizer Mode Operation

The device may act as a frequency synthesizer with the PLL generating its operating frequency from just the crystal input. By setting the SYN_MODE register bit and setting the STATE[1:0] field to Free-run, no input clock references are required to generate the desired output frequencies.

When operating as a synthesizer, the precision of the output frequency will be < 1 ppb for any supported configuration.

Loop Filter and Bandwidth

The 8T49N243 uses one external capacitor of fixed value to support its loop bandwidth. When operating in synthesizer mode a fixed loop bandwidth of approximately 200kHz is provided.

When not operating as a synthesizer, the 8T49N243 will support a range of loop bandwidths: 0.2Hz, 0.4Hz, 0.8Hz, 1.6Hz, 3.2Hz, 6.4Hz, 12Hz, 25Hz, 50Hz, 100Hz, 200Hz, 400Hz, 800Hz, 1.6kHz or 6.4kHz.

The device supports two different loop bandwidth settings: acquisition and locked. These loop bandwidths are selected from the list of options described above. If enabled, the acquisition bandwidth is used while lock is being acquired to allow the PLL to “fast-lock”. Once locked the PLL will use the locked bandwidth setting. If the acquisition bandwidth setting is not used, the PLL will use the locked bandwidth setting at all times.

Output Dividers

The 8T49N243 supports one integer output divider and one fractional output divider. The integer output divider block consists of two divider stages in a series to achieve the desired total output divider ratio. The first stage divider may be set to divide by 4, 5 or 6. The second stage of the divider may be bypassed (i.e. divide-by-1) or programmed to any even divider ratio from 2 to 131,070. The total divide ratios, settings and possible output frequencies are shown in [Table 2](#).

An output synchronization via the PLL_SYN bit is necessary after programming the output dividers to ensure that the outputs are synchronized.

Table 2: Output Divide Ratios

| 1st-Stage Divide | 2nd-Stage Divide | Total Divide | Minimum F _{OUT} (MHz) | Maximum F _{OUT} (MHz) |
|------------------|------------------|--------------|--------------------------------|--------------------------------|
| 4 | 1 | 4 | 750 | 1000 |
| 5 | 1 | 5 | 600 | 800 |
| 6 | 1 | 6 | 500 | 666.7 |
| 4 | 2 | 8 | 375 | 500 |
| 5 | 2 | 10 | 300 | 400 |
| 6 | 2 | 12 | 250 | 333.3 |
| 4 | 4 | 16 | 187.5 | 250 |
| 5 | 4 | 20 | 150 | 200 |
| 6 | 4 | 24 | 125 | 166.7 |
| ... | | | | |
| 4 | 131,070 | 524,280 | 0.0057 | 0.0076 |
| 5 | 131,070 | 655,350 | 0.0046 | 0.0061 |
| 6 | 131,070 | 786,420 | 0.0038 | 0.0051 |

Fractional Output Divider Programming (Q1 and FCLK)

For the FracN output divider Q1 the output divide ratio is given by:

- Output Divide Ratio = (N.F)x2
- N = Integer Part: 4, 5, ...($2^{18}-1$)
- F = Fractional Part: $[0, 1, 2, \dots, (2^{28}-1)]/(2^{28})$

For integer operation of these output dividers, N = 3 is also supported for the full output frequency range.

The minimum output divide ratio defined above is valid for all CLK_SEL modes.

Output Divider Frequency Sources

Output dividers associated with the Q[1:0] outputs take their input frequency directly from the PLL.

Output dividers associated with the FCLK outputs can take their input frequencies from the PLL, CLK or FBIN input reference frequency or the crystal frequency.

Output Drivers

The Q[1:0] clock outputs are provided with register-controlled output drivers. By selecting the output drive type in the appropriate register, either output can support LVCMOS, LVPECL, HCSL or LVDS logic levels.

The operating voltage ranges of each output is determined by its independent output power pin (V_{CCO}) and thus each can have different output voltage levels. Output voltage levels of 2.5V or 3.3V are supported for differential operation and LVCMOS operation. In addition, LVCMOS output operation supports 1.8V V_{CCO} .

Each output may be enabled or disabled by register bits and/or GPIO pins.

LVCMOS Operation

When a given output is configured to provide LVCMOS levels, then both the Q and nQ outputs will toggle at the selected output frequency. All the previously described configuration and control apply equally to both outputs. Frequency, voltage levels and enable / disable status apply to both the Q and nQ pins. When configured as LVCMOS, the Q & nQ outputs can be selected to be phase-aligned with each other or inverted relative to one another. Selection of phase-alignment may have negative effects on the phase noise performance of any part of the device due to increased simultaneous switching noise within the device.

Power-Saving Modes

To allow the device to consume the least power possible for a given application, the following functions can be disabled via register programming:

- Any unused output, including all output divider logic, can be individually powered-off.
- Any unused input, including the clock monitoring logic can be individually powered-off.
- The digital PLL can be powered-off when running in synthesizer mode.
- Clock gating on logic that is not being used.

Status / Control Signals and Interrupts

The status and control signals for the device, may be operated at 1.8V, 2.5V or 3.3V as determined by the voltage applied to the V_{CCCS} pins. All signals will share the same voltage levels.

Signals involved include: nWP, nINT, nRST, GPIO[3:0], S_A0, S_A1, SCLK and SDATA. The voltage used here is independent of the voltage chosen for the digital and analog core voltages and the output voltages selected for the clock outputs.

General-Purpose I/Os & Interrupts

The 8T49N243 provides four General Purpose Input / Output (GPIO) pins for miscellaneous status & control functions. Each GPIO may be configured as either an input or an output. Each GPIO may be directly controlled from register bits or be used as a predefined function as shown in [Table 3](#). Note that the default state prior to configuration being loaded from internal OTP will be to set each GPIO to input direction to function as an Output Enable.

Table 3: GPIO Configuration^[a]

| GPIO Pin | Configured as Input | | Configured as Output | |
|----------|---------------------|------------------|----------------------|-----------------|
| | Fixed Function | General Purpose | Fixed Function | General Purpose |
| 3 | – | GPI[3] (default) | LOL | GPO[3] |
| 2 | – | GPI[2] (default) | LOS[0] | GPO[2] |
| 1 | OSEL[1] | GPI[1] (default) | LOS[1] | GPO[1] |
| 0 | OSEL[0] (default) | GPI[0] | – | GPO[0] |

- a. GPI[x]: General Purpose Input. Logic state on GPIO[x] pin is directly reflected in GPI[x] register.
 LOL: Loss-of-Lock Status Flag for Digital PLL. Logic-high indicates digital PLL not locked.
 GPO[x]: General Purpose Output. Logic state is determined by value written in register GPO[x].
 OSEL[n]: Output Enable Control Signals for outputs Qx, nQx. Refer to [Output Enable Operation](#) section.
 LOS[x]: Loss-of-Signal Status Flag for input reference (0 = CLK, 1 = FBIN). Logic-high indicates input reference failure.

If used in the Fixed Function mode of operation, the GPIO bits will reflect the real-time status of their respective status bits as shown in [Table 3](#).

The LOL alarm will support two modes of operation:

- De-asserts once PLL is locked, or
- De-asserts after PLL is locked and all internal synchronization operations that may destabilize output clocks are completed.

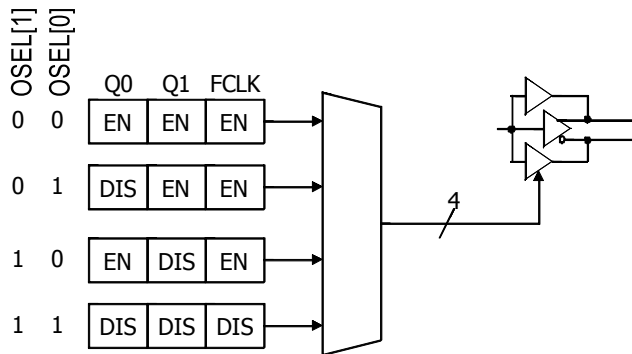
Interrupt Functionality

Interrupt functionality includes an Interrupt Status Flag for each of PLL Loss-of-Lock Status (LOL) and Loss-of-Signal Status for each input (LOS[1:0]). Those status flags are set whenever there is an alarm on their respective functions. The status flag will remain set until the alarm has been cleared and a '1' has been written to the status flag's register location or if a reset occurs. Each status flag will also have an interrupt enable bit that will determine if that status flag is allowed to cause the Device Interrupt Status to be affected (enabled) or not (disabled). All interrupt enable bits will be in the disabled state after reset. The Device Interrupt Status Flag and nINT output pin are asserted if any of the enabled interrupt status flags are set.

Output Enable Operation

When GPIO[1:0] are used as output enable control signals (both GPIO0 and GPIO1 must be configured as OSEL[0] and OSEL[1], respectively), the function of the pins is to select one of four register-based maps that indicate which outputs should be enabled or disabled.

Figure 4: Output Enable Map Operation



Device Hardware Configuration

The 8T49N243 supports an internal One-Time Programmable (OTP) memory that is pre-programmed at the factory with one complete device configuration. This pre-programmed configuration will be loaded into the device's registers on power-up or reset.

These default register settings can be over-written using the serial programming interface once reset is complete. Any configuration written via the serial programming interface needs to be re-written after any power cycle or reset. Please contact IDT if a different factory-programmed configuration is desired.

Device Start-up & Reset Behavior

The 8T49N243 has an internal Power-up Reset (POR) circuit and a master reset input pin nRST. If either is asserted, the device will be in the Reset State.

For highly programmable devices, it's common practice to reset the device immediately after the initial power-on sequence. IDT recommends connecting the nRST input pin to a programmable logic source for optimal functionality. It is recommended that a minimum pulse width of 10ns be used to drive the nRST input.

While in the reset state (nRST input asserted or POR active), the device will operate as follows:

- All registers will return to & be held in their default states as indicated in the applicable register description.
- All internal state machines will be in their reset conditions.
- The serial interface will not respond to read or write cycles.
- The GPIO signals will be configured as output enable inputs.
- All clock outputs will be disabled.
- All interrupt status and interrupt enable bits will be cleared, negating the nINT signal.

Upon the later of the internal POR circuit expiring or the nRST input negating, the device will exit reset and begin self-configuration.

The device will load its configuration using the data stored in the internal One-Time Programmable (OTP) memory.

Once the full configuration has been loaded, the device will respond to accesses on the serial port and will attempt to lock the PLL to the crystal and begin operation. Once the PLL is locked, all the outputs derived from it will be synchronized and output phase adjustments can then be applied if desired.

Serial Control Port Description

Serial Control Port Configuration Description

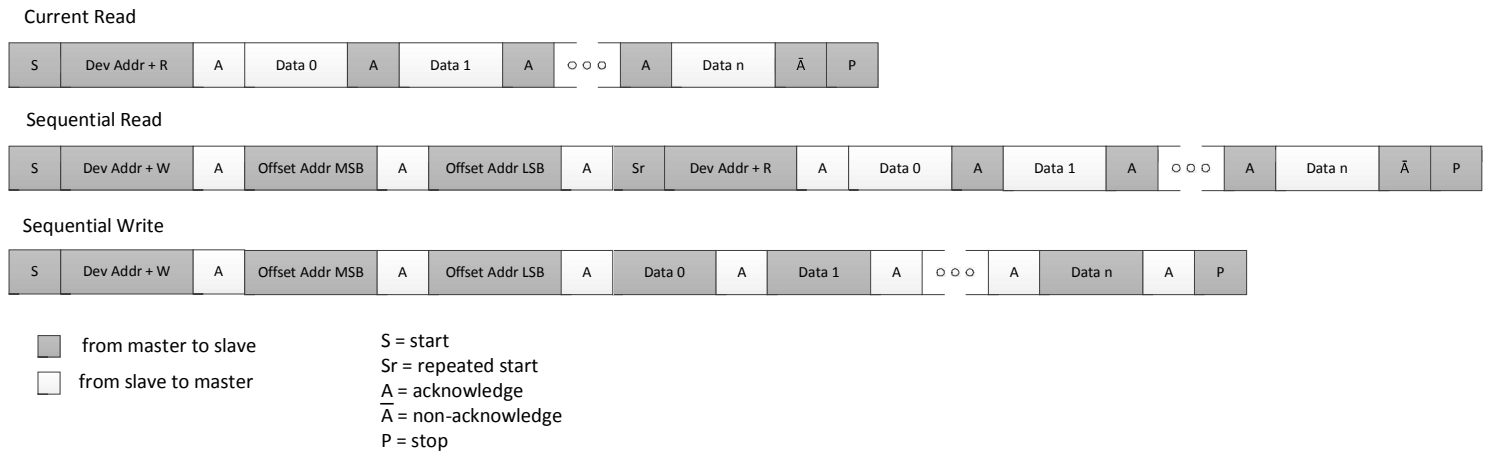
The device has a serial control port capable of responding as a slave in an I²C compatible configuration, to allow access to any of the internal registers for device programming or examination of internal status. All registers are configured to have default values. See the specifics for each register for details.

I²C Mode Operation

The I²C interface is designed to fully support v1.2 of the I²C Specification for normal and fast mode operation. The device acts as a slave device on the I²C bus at 100kHz or 400kHz using the address defined in the Serial Interface Control register (0006h), as modified by the S_A0 & S_A1 input pin settings. The interface accepts byte-oriented block write and block read operations. Two address bytes specify the register address of the byte position of the first register to write or read. Data bytes (registers) are accessed in sequential order from the lowest to the highest byte (most significant bit first). Read and write block transfers can be stopped after any complete byte transfer. During a write operation, data will not be moved into the registers until the STOP bit is received, at which point, all data received in the block write will be written simultaneously.

For full electrical I²C compliance, it is recommended to use external pull-up resistors for SDATA and SCLK. The internal pull-up resistors have a size of 51kΩ typical.

Figure 5: I²C Slave Read and Write Cycle Sequencing



The 8T49N243 will not support the following functions:

- I²C General Call
- Slave clock stretching
- I²C Start Byte protocol
- CBUS compatibility

Register Descriptions

Table 4: Register Blocks

| Register Ranges Offset (Hex) | Register Block Description |
|------------------------------|---|
| 0000 - 0001 | Reserved |
| 0002 - 0005 | Device ID Control Registers |
| 0006 - 0007 | Serial Interface Control Registers |
| 0008 - 002F | Digital PLL Control Registers |
| 0030 - 0038 | GPIO Control Registers |
| 0039 - 003E | Output Driver Control Registers |
| 003F - 004A | Output Divider Control Registers (Integer Portion) |
| 004B - 0056 | Reserved |
| 0057 - 0062 | Output Divider Control Registers (Fractional Portion) |
| 0063 - 0067 | Output Divider Source Control Registers |
| 0068 - 006B | Analog PLL Control Registers |
| 006C - 0070 | Power-Down & Lock Alarm Control Registers |
| 0071 - 0078 | Input Monitor Control Registers |
| 0079 | Interrupt Enable Register |
| 007A - 007B | Factory Setting Registers |
| 007C - 01FF | Reserved |
| 0200 - 0201 | Interrupt Status Registers |
| 0202 - 020B | Reserved |
| 020C | General-Purpose Input Status Register |
| 020D - 0212 | Global Interrupt and Boot Status Register |
| 0213 - 03FF | Reserved |

Table 5: Device ID Control Register Bit Field Locations and Descriptions

| Device ID Register Control Block Field Locations | | | | | | | | |
|--|-----------------|----|----|----|------------------|----|----|----|
| Address (Hex) | D7 | D6 | D5 | D4 | D3 | D2 | D1 | D0 |
| 0002 | REV_ID[3:0] | | | | DEV_ID[15:12] | | | |
| 0003 | DEV_ID[11:4] | | | | | | | |
| 0004 | DEV_ID[3:0] | | | | DASH_CODE [10:7] | | | |
| 0005 | DASH_CODE [6:0] | | | | | | | 1 |

| Device ID Control Register Block Field Descriptions | | | |
|---|------------|---------------|--|
| Bit Field Name | Field Type | Default Value | Description |
| REV_ID[3:0] | R/W | 0h | Device revision. |
| DEV_ID[15:0] | R/W | 0606h | Device ID code. |
| DASH CODE [10:0] | R/W | 0b | Device Dash code. Decimal value assigned by IDT to identify the configuration loaded at the factory. May be over-written by users at any time. |

Table 6: Serial Interface Control Register Bit Field Locations and Descriptions

| Serial Interface Control Block Field Locations | | | | | | | | |
|--|------|-------------|----|----|----|----|-----------|-----------|
| Address (Hex) | D7 | D6 | D5 | D4 | D3 | D2 | D1 | D0 |
| 0006 | 0 | UFTADD[6:2] | | | | | UFTADD[1] | UFTADD[0] |
| 0007 | Rsvd | | | | | | | 1 |

| Device ID Control Register Block Field Descriptions | | | |
|---|------------|---------------|---|
| Bit Field Name | Field Type | Default Value | Description |
| UFTADD[6:2] | R/W | 11011b | Configurable portion of I ² C base (bits 6:2) address for this device. |
| UFTADD[1] | R/O | 0b | I ² C base address bit 1. This address bit reflects the status of the S_A1 external input pin. See Table 1 . |
| UFTADD[0] | R/O | 0b | I ² C base address bit 0. This address bit reflects the status of the S_A0 external input pin. See Table 1 . |
| Rsvd | R/W | - | Reserved. Always write 0 to this bit location. Read values are not defined. |

Table 7: Digital PLL Input Control Register Bit Field Locations and Descriptions

| Digital PLL Input Control Register Block Field Locations | | | | | | | | |
|--|-------------|----|----|-------------|------|------|------------|------|
| Address (Hex) | D7 | D6 | D5 | D4 | D3 | D2 | D1 | D0 |
| 0008 | REFSEL[2:0] | | | 1 | 0 | 1 | 1 | 1 |
| 0009 | Rsvd | | | | | | | Rsvd |
| 000A | Rsvd | | 1 | Rsvd | Rsvd | Rsvd | STATE[1:0] | |
| 000B | Rsvd | | | PRE0[20:16] | | | | |
| 000C | PRE0[15:8] | | | | | | | |
| 000D | PRE0[7:0] | | | | | | | |
| 000E | Rsvd | | | PRE1[20:16] | | | | |
| 000F | PRE1[15:8] | | | | | | | |
| 0010 | PRE1[7:0] | | | | | | | |

| Digital PLL Input Control Register Block Field Descriptions | | | |
|---|------------|---------------|--|
| Bit Field Name | Field Type | Default Value | Description |
| REFSEL[2:0] | R/W | 000b | Input reference selection for Digital PLL: 000 = Automatic selection 001 through 111 = Reserved, do not use |
| STATE[1:0] | R/W | 00b | Digital PLL State Machine Control: 00 = Run automatically 01 = Force FREERUN state - set this if in Synthesizer mode 10 = Force NORMAL state 11 = Reserved |
| PRE0[20:0] | R/W | 000014h | Pre-divider ratio for input reference 0 (CLK) when used by Digital PLL. |
| PRE1[20:0] | R/W | 000014h | Pre-divider ratio for input reference 1 (FBIN) when used by Digital PLL. |
| Rsvd | R/W | - | Reserved. Always write 0 to this bit location. Read values are not defined. |

Table 8: Digital PLL Feedback Control Register Bit Field Locations and Descriptions

| Digital PLL Feedback Control Register Block Field Locations | | | | | | | | |
|---|---------------|------|---------------|----------------|------------|---------------|--------------|------------|
| Address (Hex) | D7 | D6 | D5 | D4 | D3 | D2 | D1 | D0 |
| 0011 | M1_0[23:16] | | | | | | | |
| 0012 | M1_0[15:8] | | | | | | | |
| 0013 | M1_0[7:0] | | | | | | | |
| 0014 | M1_1[23:16] | | | | | | | |
| 0015 | M1_1[15:8] | | | | | | | |
| 0016 | M1_1[7:0] | | | | | | | |
| 0017 | LCKBW[3:0] | | | | ACQBW[3:0] | | | |
| 0018 | LCKDAMP[2:0] | | | ACQDAMP[2:0] | | | PLLGAIN[1:0] | |
| 0019 | Rsvd | | | Rsvd | Rsvd | | | Rsvd |
| 001A | Rsvd | | | | | | | |
| 001B | Rsvd | | | | | | | |
| 001C | Rsvd | | | | | | | Rsvd |
| 001D | Rsvd | | | | | | | |
| 001E | Rsvd | | | | | | | |
| 001F | FFh | | | | | | | |
| 0020 | FFh | | | | | | | |
| 0021 | FFh | | | | | | | |
| 0022 | FFh | | | | | | | |
| 0023 | Rsvd | Rsvd | Rsvd | Rsvd | Rsvd | Rsvd | Rsvd | FASTLCK |
| 0024 | LOCK[7:0] | | | | | | | |
| 0025 | Rsvd | | | | | | | DSM_INT[8] |
| 0026 | DSM_INT[7:0] | | | | | | | |
| 0027 | Rsvd | | | | | | | |
| 0028 | Rsvd | | | DSMFRAC[20:16] | | | | |
| 0029 | DSMFRAC[15:8] | | | | | | | |
| 002A | DSMFRAC[7:0] | | | | | | | |
| 002B | Rsvd | | | | | | | |
| 002C | 01h | | | | | | | |
| 002D | Rsvd | | | | | | | |
| 002E | Rsvd | | | | | | | |
| 002F | DSM_ORD[1:0] | | DCXOGAIN[1:0] | | Rsvd | DITHGAIN[2:0] | | |

| Digital PLL Feedback Configuration Register Block Field Descriptions | | | |
|--|------------|---------------|---|
| Bit Field Name | Field Type | Default Value | Description |
| M1_0[23:0] | R/W | 000014h | M1 Feedback divider ratio for input reference 0 (CLK) when used by Digital PLL. |
| M1_1[23:0] | R/W | 000014h | M1 Feedback divider ratio for input reference 1 (FBIN) when used by Digital PLL. |
| LCKBW[3:0] | R/W | 0111b | Digital PLL Loop Bandwidth while locked: 0000 = 0.2Hz 0001 = 0.4Hz 0010 = 0.8Hz 0011 = 1.6Hz 0100 = 3.2Hz 0101 = 6.4Hz 0110 = 12Hz 0111 = 25Hz 1000 = 50Hz 1001 = 100Hz 1010 = 200Hz 1011 = 400Hz 1100 = 800Hz 1101 = 1.6kHz 1110 = 6.4kHz 1111 = Reserved |
| ACQBW[3:0] | R/W | 0111b | Digital PLL Loop Bandwidth while in acquisition (not-locked): 0000 = 0.2Hz 0001 = 0.4Hz 0010 = 0.8Hz 0011 = 1.6Hz 0100 = 3.2Hz 0101 = 6.4Hz 0110 = 12Hz 0111 = 25Hz 1000 = 50Hz 1001 = 100Hz 1010 = 200Hz 1011 = 400Hz 1100 = 800Hz 1101 = 1.6kHz 1110 = 6.4kHz 1111 = Reserved |

| Digital PLL Feedback Configuration Register Block Field Descriptions | | | |
|--|------------|---------------|--|
| Bit Field Name | Field Type | Default Value | Description |
| LCKDAMP[2:0] | R/W | 011b | Damping factor for Digital PLL while locked: 000 = Reserved 001 = 1 010 = 2 011 = 5 100 = 10 101 = 20 110 = Reserved 111 = Reserved |
| ACQDAMP[2:0] | R/W | 011b | Damping factor for Digital PLL while in acquisition (not locked): 000 = Reserved 001 = 1 010 = 2 011 = 5 100 = 10 101 = 20 110 = Reserved 111 = Reserved |
| PLLGAIN[1:0] | R/W | 01b | Digital Loop Filter Gain settings for Digital PLL: 00 = 0.5 01 = 1 10 = 1.5 11 = 2 |
| FASTLCK | R/W | 1b | Enables Fast Lock operation for Digital PLL: 0 = Normal locking using LCKBW & LCKDAMP fields in all cases 1 = Fast Lock mode using ACQBW & ACQDAMP when not phase locked and LCKBW & LCKDAMP once phase locked |
| LOCK[7:0] | R/W | 3Fh | Lock window size for Digital PLL. Unsigned 2's complement binary number in steps of 2.5ns, giving a total range of 640ns. Do not program to 0. |
| DSM_INT[8:0] | R/W | 02Ch | Integer portion of the Delta-Sigma Modulator value. |
| DSMFRAC[20:0] | R/W | 181949h | Fractional portion of Delta-Sigma Modulator value. Divide this number by 2^{21} to determine the actual fraction. |

Digital PLL Feedback Configuration Register Block Field Descriptions

| Bit Field Name | Field Type | Default Value | Description |
|----------------|------------|---------------|--|
| DSM_ORD[1:0] | R/W | 11b | Delta-Sigma Modulator Order for Digital PLL: 00 = Delta-Sigma Modulator disabled 01 = 1st order modulation 10 = 2nd order modulation 11 = 3rd order modulation |
| DCXOGAIN[1:0] | R/W | 01b | Multiplier applied to instantaneous frequency error before it is applied to the digitally controlled oscillator in Digital PLL: 00 = 0.5 01 = 1 10 = 2 11 = 4 |
| DITHGAIN[2:0] | R/W | 000b | Dither Gain setting for Digital PLL: 000 = no dither 001 = Least Significant Bit (LSB) only 010 = 2 LSBs 011 = 4 LSBs 100 = 8 LSBs 101 = 16 LSBs 110 = 32 LSBs 111 = 64 LSBs |
| Rsvd | R/W | - | Reserved. Always write 0 to this bit location. Read values are not defined. |

The values observed on any GPIO pins that are used as general purpose inputs are visible in the GPI[3:0] register that is located at location 0x0219 near a number of other read-only registers.

Table 9: GPIO Control Register Bit Field Locations and Descriptions

| GPIO Control Register Block Field Locations | | | | | | | | |
|---|------|----|----|----|---------------|------------|------------|------------|
| Address (Hex) | D7 | D6 | D5 | D4 | D3 | D2 | D1 | D0 |
| 0030 | Rsvd | | | | GPIO_DIR[3:0] | | | |
| 0031 | Rsvd | | | | GPI3SEL[2] | GPI2SEL[2] | GPI1SEL[2] | GPI0SEL[2] |
| 0032 | Rsvd | | | | GPI3SEL[1] | GPI2SEL[1] | GPI1SEL[1] | GPI0SEL[1] |
| 0033 | Rsvd | | | | GPI3SEL[0] | GPI2SEL[0] | GPI1SEL[0] | GPI0SEL[0] |
| 0034 | Rsvd | | | | GPO3SEL[2] | GPO2SEL[2] | GPO1SEL[2] | GPO0SEL[2] |
| 0035 | Rsvd | | | | GPO3SEL[1] | GPO2SEL[1] | GPO1SEL[1] | GPO0SEL[1] |
| 0036 | Rsvd | | | | GPO3SEL[0] | GPO2SEL[0] | GPO1SEL[0] | GPO0SEL[0] |
| 0037 | Rsvd | | | | | | | |
| 0038 | Rsvd | | | | GPO[3:0] | | | |

| GPIO Control Register Block Field Descriptions | | | |
|--|------------|---------------|--|
| Bit Field Name | Field Type | Default Value | Description |
| GPIO_DIR[3:0] | R/W | 0000b | Direction control for General-Purpose I/O pins GPIO[3:0]: 0 = input mode 1 = output mode |
| GPI0SEL[2:0] | R/W | 001b | Function of GPIO[0] pin when set to input mode by GPIO_DIR[0] register bit: 000 = General Purpose Input (value on GPIO[0] pin directly reflected in GPI[0] register bit) 001 = Output Enable control bit 0: OSEL[0], (Refer to Figure 4 for more details.) 010 = reserved 011 = reserved 100 through 111 = reserved |
| GPI1SEL[2:0] | R/W | 000b | Function of GPIO[1] pin when set to input mode by GPIO_DIR[1] register bit: 000 = General Purpose Input (value on GPIO[1] pin directly reflected in GPI[1] register bit) 001 = Output Enable control bit 1: OSEL[1], (Refer to Figure 4 for more details.) 010 through 111 = reserved |
| GPI2SEL[2:0] | R/W | 000b | Function of GPIO[2] pin when set to input mode by GPIO_DIR[2] register bit: 000 = General Purpose Input (value on GPIO[2] pin directly reflected in GPI[2] register bit) 001 = reserved 010 = reserved 011 = reserved 100 = reserved 101 through 111 = reserved |

GPIO Control Register Block Field Descriptions

| Bit Field Name | Field Type | Default Value | Description |
|----------------|------------|---------------|---|
| GPI3SEL[2:0] | R/W | 000b | Function of GPIO[3] pin when set to input mode by GPIO_DIR[3] register bit: 000 = General Purpose Input (value on GPIO[3] pin directly reflected in GPI[3] register bit) 001 = reserved 010 = reserved 011 = reserved 100 through 111 = reserved |
| GPO0SEL[2:0] | R/W | 000b | Function of GPIO[0] pin when set to output mode by GPIO_DIR[0] register bit: 000 = General Purpose Output (value in GPO[0] register bit driven on GPIO[0] pin) 001 = reserved 010 = reserved 011 = reserved 100 = reserved 101 = reserved 110 through 111 = reserved |
| GPO1SEL[2:0] | R/W | 000b | Function of GPIO[1] pin when set to output mode by GPIO_DIR[1] register bit: 000 = General Purpose Output (value in GPO[1] register bit driven on GPIO[1] pin) 001 = Loss-of-Signal Status Flag for Input Reference 1 (FBIN) reflected on GPIO[1] pin 010 = reserved 011 = reserved 100 = reserved 101 = reserved 110 = reserved 111 = reserved |
| GPO2SEL[2:0] | R/W | 000b | Function of GPIO[2] pin when set to output mode by GPIO_DIR[2] register bit: 000 = General Purpose Output (value in GPO[2] register bit driven on GPIO[2] pin) 001 = Loss-of-Signal Status Flag for input reference 0 (CLK) reflected on GPIO[2] pin 010 = reserved 011 = reserved 100 = reserved 101 through 111 = reserved |
| GPO3SEL[2:0] | R/W | 000b | Function of GPIO[3] pin when set to output mode by GPIO_DIR[3] register bit: 000 = General Purpose Output (value in GPO[3] register bit driven on GPIO[3] pin) 001 = Loss-of-Lock Status Flag for Digital PLL reflected on GPIO[3] pin 010 = reserved 011 = reserved 100 through 111 = reserved |
| GPO[3:0] | R/W | 0000b | Output values reflect on pin GPIO[3:0] when General-Purpose Output mode selected. |
| Rsvd | R/W | - | Reserved. Always write 0 to this bit location. Read values are not defined. |

Table 10: Output Driver Control Register Bit Field Locations and Descriptions

| Output Driver Control Register Block Field Locations | | | | | | | | |
|--|---------------|----|----|----------|---------------|----|------------|----------|
| Address (Hex) | D7 | D6 | D5 | D4 | D3 | D2 | D1 | D0 |
| 0039 | Rsvd | | | | Rsvd | 1 | OUTEN[1:0] | |
| 003A | Rsvd | | | | Rsvd | | POL_Q[1:0] | |
| 003B | Rsvd | | | | | | | |
| 003C | Rsvd | | | | | | | |
| 003D | Rsvd | | 1 | Rsvd | Rsvd | 1 | Rsvd | Rsvd |
| 003E | OUTMODE1[2:0] | | | SE_MODE1 | OUTMODE0[2:0] | | | SE_MODE0 |

| Output Driver Control Register Block Field Descriptions | | | |
|---|------------|---------------|--|
| Bit Field Name | Field Type | Default Value | Description |
| OUTEN[1:0] | R/W | 11b | Output enable control for clock outputs Q[1:0], nQ[1:0]: 0 = Qn is in a high-impedance state 1 = Qn is enabled as indicated in appropriate OUTMODEn[2:0] register field |
| POL_Q[1:0] | R/W | 00b | Polarity of clock outputs Q[1:0], nQ[1:0]: 0 = Qn is normal polarity 1 = Qn is inverted polarity |
| OUTMODEm[2:0] | R/W | 011b | Output Driver Mode of Operation for clock outputs Q[1:0], nQ[1:0]: 000 = High-impedance 001 = LVPECL 010 = LVDS 011 = LVCMOS 100 = HCSL 101 - 111 = reserved |
| SE_MODEm | R/W | 1b | Behavior of output pair Qm, nQm when LVCMOS operation is selected: (Must be 0 if LVDS or LVPECL output style is selected) 0 = Qm and nQm are both the same frequency but inverted in phase 1 = Qm and nQm are both the same frequency and phase |
| Rsvd | R/W | - | Reserved. Always write 0 to this bit location. Read values are not defined. |

Table 11: Output Divider Control Register (Integer Portion) Bit Field Locations and Descriptions

| Output Divider Control Register (Integer Portion) Block Field Locations | | | | | | | | |
|---|--------------|----|----|----|----|----|---------------|----|
| Address (Hex) | D7 | D6 | D5 | D4 | D3 | D2 | D1 | D0 |
| 003F | Rsvd | | | | | | NS1_Q0[1:0] | |
| 0040 | NS2_Q0[15:8] | | | | | | | |
| 0041 | NS2_Q0[7:0] | | | | | | | |
| 0042 | Rsvd | | | | | | N_Q1[17:16] | |
| 0043 | N_Q1[15:8] | | | | | | | |
| 0044 | N_Q1[7:0] | | | | | | | |
| 0045 | Rsvd | | | | | | N_FCLK[17:16] | |
| 0046 | N_FCLK[15:8] | | | | | | | |
| 0047 | N_FCLK[7:0] | | | | | | | |
| 0048 | Rsvd | | | | | | | |
| 0049 | Rsvd | | | | | | | |
| 004A | Rsvd | | | | | | | |

| Output Divider Control Register (Integer Portion) Block Field Descriptions | | | |
|--|------------|---------------|--|
| Bit Field Name | Field Type | Default Value | Description |
| NS1_Q0[1:0] | R/W | 01b | 1st Stage Output Divider Ratio for output clock Q0, nQ0: 00 = /5 01 = /6 10 = /4 11 = Reserved |
| NS2_Q0[15:0] | R/W | 001Dh | 2nd Stage Output Divider Ratio for output clock Q0, nQ0. Actual divider ratio is 2x the value written here. A value of 0 in this register will bypass the second stage of the divider. |
| N_Q1[17:0] | R/W | 00057h | Integer Portion of Output Divider Ratio for output clock Q1, nQ1: Values of 0, 1 or 2 cannot be written to this register. Actual divider ratio is 2x the value written here. |
| N_FCLK[17:0] | R/W | 002B8h | Integer Portion of Output Divider Ratio for output clock FCLK, nFCLK: Values of 0, 1 or 2 cannot be written to this register. Actual divider ratio is 2x the value written here. |
| Rsvd | R/W | - | Reserved. Always write 0 to this bit location. Read values are not defined. |

Table 12: Output Divider Control Register (Fractional Portion) Bit Field Locations and Descriptions

| Output Divider Control Register (Fractional Portion) Block Field Locations | | | | | | | | |
|--|-------------------|----|----|----|-------------------|----|----|----|
| Address (Hex) | D7 | D6 | D5 | D4 | D3 | D2 | D1 | D0 |
| 0057 | Rsvd | | | | NFRAC_Q1[27:24] | | | |
| 0058 | NFRAC_Q1[23:16] | | | | | | | |
| 0059 | NFRAC_Q1[15:8] | | | | | | | |
| 005A | NFRAC_Q1[7:0] | | | | | | | |
| 005B | Rsvd | | | | NFRAC_FCLK[27:24] | | | |
| 005C | NFRAC_FCLK[23:16] | | | | | | | |
| 005D | NFRAC_FCLK[15:8] | | | | | | | |
| 005E | NFRAC_FCLK[7:0] | | | | | | | |
| 005F | Rsvd | | | | | | | |
| 0060 | Rsvd | | | | | | | |
| 0061 | Rsvd | | | | | | | |
| 0062 | Rsvd | | | | | | | |

| Output Divider Control Register (Fractional Portion) Block Field Descriptions | | | |
|---|------------|---------------|--|
| Bit Field Name | Field Type | Default Value | Description |
| NFRAC_Q1[27:0] | R/W | 0000000h | Fractional Portion of Output Divider Ratio for output Q1, nQ1. Actual fractional portion is 2x the value written here. Fraction = $(\text{NFRAC_Q1} * 2) * 2^{-28}$ |
| NFRAC_FCLK[27:0] | R/W | 0000000h | Fractional Portion of Output Divider Ratio for output FCLK, nFCLK. Actual fractional portion is 2x the value written here. Fraction = $(\text{NFRAC_FCLK} * 2) * 2^{-28}$ |
| Rsvd | R/W | - | Reserved. Always write 0 to this bit location. Read values are not defined. |

Table 13: Output Clock Source Control Register Bit Field Locations and Descriptions

| Output Clock Source Control Register Block Field Locations | | | | | | | | |
|--|---------|------|------|------|------|------|------------------|----|
| Address (Hex) | D7 | D6 | D5 | D4 | D3 | D2 | D1 | D0 |
| 0063 | PLL_SYN | Rsvd | Rsvd | Rsvd | Rsvd | Rsvd | CLK_SELFCLK[1:0] | |
| 0064 | Rsvd | | | | | | | |
| 0065 | Rsvd | | | | | | | |
| 0066 | Rsvd | Rsvd | | Rsvd | Rsvd | Rsvd | | |
| 0067 | Rsvd | Rsvd | | Rsvd | Rsvd | Rsvd | | |

| Output Clock Source Control Register Block Field Descriptions | | | |
|---|------------|---------------|--|
| Bit Field Name | Field Type | Default Value | Description |
| PLL_SYN | R/W | 0b | Output Synchronization Control for outputs derived from PLL. Setting this bit from 0->1 will cause the output divider(s) for the affected outputs to be held in reset. Setting this bit from 1->0 will release all the output divider(s) for the affected outputs to run from the same point in time with the coarse output phase adjustment reset to 0. |
| CLK_SELFCLK[1:0] | R/W | 00b | Clock Source selection for output pair FCLK, nFCLK: Do not select input reference 0 or 1 if that input is faster than 250MHz: 00 = PLL 01 = Input Reference 0 (CLK) 10 = Input Reference 1 (FBIN) 11 = Crystal input |
| Rsvd | R/W | - | Reserved. Always write 0 to this bit location. Read values are not defined. |

Please contact IDT through one of the methods listed on the last page of this datasheet for details on how to set these fields for a particular user configuration.

Table 14: Analog PLL Control Register Bit Field Locations and Descriptions

| Analog PLL Control Register Block Field Locations | | | | | | | | |
|---|-------------|----|------|-----------|----------|---------|-------|-------|
| Address (Hex) | D7 | D6 | D5 | D4 | D3 | D2 | D1 | D0 |
| 0068 | CPSET[2:0] | | | RS[1:0] | | CP[1:0] | | WPOST |
| 0069 | Rsvd | | Rsvd | TDC_DIS | SYN_MODE | Rsvd | DLCNT | DBITM |
| 006A | VCOMAN[2:0] | | | DBIT[4:0] | | | | |
| 006B | 001b | | | Rsvd | | | | |

| Analog PLL Control Register Block Field Descriptions | | | |
|--|------------|---------------|---|
| Bit Field Name | Field Type | Default Value | Description |
| CPSET[2:0] | R/W | 111b | Charge Pump Current Setting for Analog PLL: 000 = 110 μ A 001 = 220 μ A 010 = 330 μ A 011 = 440 μ A 100 = 550 μ A 101 = 660 μ A 110 = 770 μ A 111 = 880 μ A |
| RS[1:0] | R/W | 01b | Internal Loop Filter Series Resistor Setting for Analog PLL: 00 = 330 Ω 01 = 640 Ω 10 = 1.2k Ω 11 = 1.79k Ω |
| CP[1:0] | R/W | 11b | Internal Loop Filter Parallel Capacitor Setting for Analog PLL: 00 = 40pF 01 = 80pF 10 = 140pF 11 = 200pF |
| WPOST | R/W | 0b | Internal Loop Filter 2nd-Pole Setting for Analog PLL: 0 = Rpost = 497 Ω , Cpost = 40pF 1 = Rpost = 1.58k Ω , Cpost = 40pF |
| TDC_DIS | R/W | 0b | TDC Disable Control for PLL: 0 = TDC Enabled 1 = TDC Disabled |

Analog PLL Control Register Block Field Descriptions

| Bit Field Name | Field Type | Default Value | Description |
|----------------|------------|---------------|---|
| SYN_MODE | R/W | 0b | Frequency Synthesizer Mode Control for PLL: 0 = PLL jitter attenuates and translates one or more input references 1 = PLL synthesizes output frequencies using only the crystal as a reference Note that the STATE[1:0] field in the Digital PLL Control Register must be set to Force Free-run state. |
| DLCNT | R/W | 1b | Digital Lock Count Setting for Analog PLL: 0 = Counter is a 20-bit accumulator 1 = Counter is a 16-bit accumulator |
| DBITM | R/W | 0b | Digital Lock Manual Override Setting for Analog PLL: 0 = Automatic mode 1 = Manual mode |
| VCOMAN[2:0] | R/W | 001b | Manual Lock Mode VCO Selection Setting for Analog PLL: 000 = VCO0 001 = VCO1 010 = VCO2 011 = VCO3 100 = VCO4 101 = VCO5 110 - 111 = Reserved |
| DBIT[4:0] | R/W | 01011b | Manual Mode Digital Lock Control Setting for VCO in Analog PLL. |
| Rsvd | R/W | - | Reserved. Always write 0 to this bit location. Read values are not defined. |

Table 15: Power Down Control Register Bit Field Locations and Descriptions

| Power Down Control Register Block Field Locations | | | | | | | | |
|---|------|----|----|----|----|----------|---------|---------|
| Address (Hex) | D7 | D6 | D5 | D4 | D3 | D2 | D1 | D0 |
| 006C | Rsvd | | | | | | LCKMODE | DBL_DIS |
| 006D | Rsvd | | | | | | Rsvd | CLK_DIS |
| 006E | Rsvd | | | | | | | |
| 006F | Rsvd | | | | 1 | Rsvd | Q1_DIS | Q0_DIS |
| 0070 | Rsvd | | | | | DPLL_DIS | DSM_DIS | CALRST |

| Power Down Control Register Block Field Descriptions | | | |
|--|------------|---------------|--|
| Bit Field Name | Field Type | Default Value | Description |
| LCKMODE | R/W | 0b | Controls the behavior of the LOL alarm deassertion: 0 = LOL alarm deasserts once PLL is locked 1 = LOL alarm deasserts once PLL is locked and output clocks are stable |
| DBL_DIS | R/W | 0b | Controls whether crystal input frequency is doubled before being used in PLL: 0 = 2x Actual crystal frequency used 1 = Actual crystal frequency used |
| CLK_DIS | R/W | 0b | Disable Control for differential clock Input: 0 = Input is enabled 1 = Input is disabled |
| Qm_DIS | R/W | 0b | Disable Control for Output Qm, nQm (m = 0, 1): 0 = Output Qm, nQm functions normally 1 = All logic associated with Output Qm, nQm is disabled & driver in High-Impedance state |
| DPLL_DIS | R/W | 0b | Disable Control for Digital PLL: 0 = Digital PLL enabled 1 = Digital PLL disabled |
| DSM_DIS | R/W | 0b | Disable Control for Delta-Sigma Modulator for Analog PLL: 0 = DSM enabled 1 = DSM disabled |
| CALRST | R/W | 0b | Reset Calibration Logic for Analog PLL: 0 = Calibration Logic for Analog PLL enabled 1 = Calibration Logic for Analog PLL disabled |
| Rsvd | R/W | - | Reserved. Always write 0 to this bit location. Read values are not defined. |

Table 16: Input Monitor Control Register Bit Field Locations and Descriptions

| Input Monitor Control Register Block Field Locations | | | | | | | | |
|--|-------------|----|----|----|----|----|----|-----------|
| Address (Hex) | D7 | D6 | D5 | D4 | D3 | D2 | D1 | D0 |
| 0071 | Rsvd | | | | | | | LOS_0[16] |
| 0072 | LOS_0[15:8] | | | | | | | |
| 0073 | LOS_0[7:0] | | | | | | | |
| 0074 | Rsvd | | | | | | | LOS_1[16] |
| 0075 | LOS_1[15:8] | | | | | | | |
| 0076 | LOS_1[7:0] | | | | | | | |
| 0077 | Rsvd | | | | | | | |
| 0078 | Rsvd | | | | | | | |

| Input Monitor Control Register Block Field Descriptions | | | |
|---|------------|---------------|--|
| Bit Field Name | Field Type | Default Value | Description |
| LOS_m[16:0] | R/W | 000B1h | Number of input monitoring clock periods before input reference m (m = 0 (CLK), 1 (FBIN)) is considered to be missed (soft alarm). Minimum setting is 3. |
| Rsvd | R/W | - | Reserved. Always write 0 to this bit location. Read values are not defined. |

Table 17: Interrupt Enable Control Register Bit Field Locations and Descriptions

| Interrupt Enable Control Register Block Field Locations | | | | | | | | |
|---|------|--------|------|------|------|----|---------|---------|
| Address (Hex) | D7 | D6 | D5 | D4 | D3 | D2 | D1 | D0 |
| 0079 | Rsvd | LOL_EN | Rsvd | Rsvd | Rsvd | | LOS1_EN | LOS0_EN |

| Interrupt Enable Control Register Block Field Descriptions | | | |
|--|------------|---------------|---|
| Bit Field Name | Field Type | Default Value | Description |
| LOL_EN | R/W | 0b | Interrupt Enable Control for Loss-of-Lock Interrupt Status Bit: 0 = LOL_INT register bit will not affect status of nINT output signal 1 = LOL_INT register bit will affect status of nINT output signal |
| LOSm_EN | R/W | 0b | Interrupt Enable Control for Loss-of-Signal Interrupt Status Bit for input reference (m = 0 (CLK), 1 (FBIN)): 0 = LOSm_INT register bit will not affect status of nINT output signal 1 = LOSm_INT register bit will affect status of nINT output signal |
| Rsvd | R/W | - | Reserved. Always write 0 to this bit location. Read values are not defined. |

Table 18: Factory Setting Register Bit Field Locations

| Factory Setting Register Block Field Locations | | | | | | | | |
|--|------|----|------|------|------|------|------|------|
| Address (Hex) | D7 | D6 | D5 | D4 | D3 | D2 | D1 | D0 |
| 007A | 27h | | | | | | | |
| 007B | Rsvd | | Rsvd | Rsvd | Rsvd | Rsvd | Rsvd | Rsvd |

This register contains “sticky” bits for tracking the status of the various alarms. Whenever an alarm occurs, the appropriate Interrupt Status bit will be set. The Interrupt Status bit will remain asserted even after the original alarm goes away. The Interrupt Status bits remain asserted until explicitly cleared by a write of a ‘1’ to the bit over the serial port. This type of functionality is referred to as Read / Write-1-to-Clear (R/W1C).

Table 19: Interrupt Status Register Bit Field Locations and Descriptions

| Interrupt Status Register Block Field Locations | | | | | | | | |
|---|------|---------|------|------|------|----|----------|----------|
| Address (Hex) | D7 | D6 | D5 | D4 | D3 | D2 | D1 | D0 |
| 0200 | Rsvd | LOL_INT | Rsvd | Rsvd | Rsvd | | LOS1_INT | LOS0_INT |
| 0201 | Rsvd | | | | | | | |

| Interrupt Status Register Block Field Descriptions | | | |
|--|------------|---------------|---|
| Bit Field Name | Field Type | Default Value | Description |
| LOL_INT | R/W1C | 0b | Interrupt Status Bit for Loss-of-Lock: 0 = No Loss-of-Lock alarm flag on PLL has occurred since the last time this register bit was cleared 1 = At least one Loss-of-Lock alarm flag on PLL has occurred since the last time this register bit was cleared |
| LOSm_INT | R/W1C | 0b | Interrupt Status Bit for Loss-of-Signal on input reference (m = 0 (CLK), 1 (FBIN)): 0 = No Loss-of-Signal alarm flag on input reference m has occurred since the last time this register bit was cleared 1 = At least one Loss-of-Signal alarm flag on input reference m has occurred since the last time this register bit was cleared |
| Rsvd | R/W | - | Reserved. Always write 0 to this bit location. Read values are not defined. |

Table 20: General Purpose Input Status Register Bit Field Locations and Descriptions

| Global Interrupt Status Register Block Field Locations | | | | | | | | |
|--|------|----|----|----|--------|--------|--------|--------|
| Address (Hex) | D7 | D6 | D5 | D4 | D3 | D2 | D1 | D0 |
| 020C | Rsvd | | | | GPI[3] | GPI[2] | GPI[1] | GPI[0] |

| General Purpose Input Status Register Block Field Descriptions | | | |
|--|------------|---------------|---|
| Bit Field Name | Field Type | Default Value | Description |
| GPI[3:0] | R/O | - | Shows current values on GPIO[3:0] pins that are configured as general-purpose inputs. |
| Rsvd | R/W | - | Reserved. Always write 0 to this bit location. Read values are not defined. |

Table 21: Global Interrupt Status Register Bit Field Locations and Descriptions

| Global Interrupt Status Register Block Field Locations | | | | | | | | |
|--|------|------|------|------|------|------|------|------|
| Address (Hex) | D7 | D6 | D5 | D4 | D3 | D2 | D1 | D0 |
| 020D | Rsvd | | Rsvd | | Rsvd | | | INT |
| 020E | Rsvd | | | | Rsvd | | | |
| 020F | Rsvd | | | Rsvd | | | | |
| 0210 | Rsvd | | | | | Rsvd | Rsvd | Rsvd |
| 0211 | Rsvd | Rsvd | Rsvd | Rsvd | Rsvd | Rsvd | Rsvd | Rsvd |
| 0212 | Rsvd | | | | | | | |

| Global Interrupt Status Register Block Field Descriptions | | | |
|---|------------|---------------|---|
| Bit Field Name | Field Type | Default Value | Description |
| INT | R/O | - | Device Interrupt Status: 0 = No interrupt status bits that are enabled are asserted (nINT pin released) 1 = At least one interrupt status bit that is enabled is asserted (nINT pin asserted low) |
| Rsvd | R/W | - | Reserved. Always write 0 to this bit location. Read values are not defined. |

Absolute Maximum Ratings

NOTE: Stresses beyond those listed under *Absolute Maximum Ratings* may cause permanent damage to the device. These ratings are stress specifications only. Functional operation of product at these conditions or any conditions beyond those listed in the *DC Characteristics* or *AC Characteristics* is not implied. Exposure to absolute maximum rating conditions for extended periods may affect product reliability.

Table 22: Absolute Ratings

| Item | Rating |
|--|--------------------------------------|
| Supply Voltage, V_{CC} | 3.63V |
| Inputs, V_I OSCI Other Input | 0V to 2V -0.5V to $V_{CC} + 0.5V$ |
| Outputs, V_O (Q[1:0], nQ[1:0], FCLK, nFCLK) | -0.5V to $V_{CCOX}^{[a]} + 0.5V$ |
| Outputs, V_O (GPIO, SCLK, SDATA, nINT) | -0.5V to $V_{CCCS} + 0.5V$ |
| Outputs, I_O (Q[1:0], nQ[1:0], FCLK, nFCLK) Continuous Current Surge Current | 40mA 65mA |
| Outputs, I_O (GPIO[3:0], SCLK, SDATA, nINT) Continuous Current Surge Current | 8mA 13mA |
| Junction Temperature, T_J | 125°C |
| Storage Temperature, T_{STG} | -65°C to 150°C |

a. V_{CCOX} denotes: V_{CCO0} , V_{CCO1} , V_{CCO2} .

Supply Voltage Characteristics

Table 23: Power Supply DC Characteristics, $V_{CC} = 3.3V \pm 5\%$, $V_{EE} = 0V$, $T_A = -40^\circ C$ to $85^\circ C$

| Symbol | Parameter | Test Conditions | Minimum | Typical | Maximum | Units |
|------------|--|---|---------|---------|----------|-------|
| V_{CC} | Core supply voltage | | 3.135 | 3.3 | 3.465 | V |
| V_{CCA} | Analog supply voltage | | 3.135 | 3.3 | V_{CC} | V |
| V_{CCCS} | Control and status supply voltage | | 1.71 | | V_{CC} | V |
| I_{CC} | Core supply current ^[a] | | | 39 | 50 | mA |
| I_{CCCS} | Control and status supply current ^[b] | | | 3 | 6 | mA |
| I_{CCA} | Analog supply current ^[a] | | | 91 | 121 | mA |
| I_{EE} | Power supply current ^[c] | Q[1:0], nQ[1:0] configured for LVPECL logic levels; outputs unloaded ^[d] | | 257 | 340 | mA |

- I_{CC} , I_{CCA} and I_{CCCS} are included in I_{EE} when output clocks configured for LVPECL logic levels.
- GPIO [3:0], SDATA, SCLK, S_A1, S_A0, nINT, nWP, nRST pins are floating.
- Internal dynamic switching current at maximum f_{OUT} is included.
- Outputs enabled.

Table 24: Power Supply DC Characteristics, $V_{CC} = 2.5V \pm 5\%$, $V_{EE} = 0V$, $T_A = -40^\circ C$ to $85^\circ C$

| Symbol | Parameter | Test Conditions | Minimum | Typical | Maximum | Units |
|------------|--|---|---------|---------|----------|-------|
| V_{CC} | Core supply voltage | | 2.375 | 2.5 | 2.625 | V |
| V_{CCA} | Analog supply voltage | | 2.375 | 2.5 | V_{CC} | V |
| V_{CCCS} | Control and status supply voltage | | 1.71 | | V_{CC} | V |
| I_{CC} | Core supply current ^[a] | | | 39 | 50 | mA |
| I_{CCCS} | Control and status supply Current ^[b] | | | 3 | 5 | mA |
| I_{CCA} | Analog supply current ^[a] | | | 87 | 118 | mA |
| I_{EE} | Power supply current ^[c] | Q[1:0], nQ[1:0] configured for LVPECL logic levels; outputs unloaded ^[d] | | 246 | 325 | mA |

- a. I_{CC} , I_{CCA} and I_{CCCS} are included in I_{EE} when Output Clocks configured for LVPECL logic levels.
 b. GPIO [3:0], SDATA, SCLK, S_A1, S_A0, nINT, nWP, nRST pins are floating.
 c. Internal dynamic switching current at maximum f_{OUT} is included.
 d. Outputs enabled.

Table 25: Maximum Output Supply Current, $V_{CC} = V_{CCCS} = 3.3V \pm 5\%$ or $2.5V \pm 5\%$, $V_{EE} = 0V$, $T_A = -40^\circ C$ to $85^\circ C$

| Symbol | Parameter | Test Conditions | $V_{CCOx}^{[a]} = 3.3V \pm 5\%$ | | | | $V_{CCOx}^{[a]} = 2.5V \pm 5\%$ | | | | $V_{CCOx}^{[a]} = 1.8V \pm 5\%$ | Units |
|------------------|-----------------------------------|---------------------------------|---------------------------------|------|------|---------|---------------------------------|------|------|---------|---------------------------------|-------|
| | | | LVPECL | LVDS | HCSL | LVC MOS | LVPECL | LVDS | HCSL | LVC MOS | LVC MOS | |
| $I_{CCO0}^{[b]}$ | Q0, nQ0 Output supply current | Outputs unloaded ^[c] | 41 | 50 | 41 | 44 | 35 | 42 | 36 | 35 | 30 | mA |
| $I_{CCO1}^{[b]}$ | Q1, nQ1 Output supply current | Outputs unloaded ^[c] | 55 | 64 | 55 | 55 | 48 | 57 | 47 | 52 | 43 | mA |
| $I_{CCO2}^{[b]}$ | FCLK, nFCLK Output supply current | Outputs unloaded ^[c] | N/A | 66 | N/A | N/A | N/A | 58 | N/A | N/A | N/A | mA |

- a. V_{CCOx} denotes V_{CCO0} , V_{CCO1} , V_{CCO2} .
 b. Internal dynamic switching current at maximum f_{OUT} is included.
 c. Outputs enabled.

DC Electrical Characteristics

Table 26: DC Input Characteristics, $V_{CC} = V_{CCOX} = 3.3V \pm 5\%$ or $2.5V \pm 5\%$ ^[a]

| Symbol | Parameter | | Test Conditions | Minimum | Typical | Maximum | Units |
|----------------|---|-----------------------------------|---------------------------------|---------|---------|---------|------------|
| C_{IN} | Input Capacitance ^[b] | | | | 3.5 | | pF |
| R_{PULLUP} | Input pull-up resistor | GPIO[3:0], nRST, nWP, SDATA, SCLK | | | 51 | | k Ω |
| $R_{PULLDOWN}$ | Input pull-down resistor | S_A0, S_A1 | | | 51 | | k Ω |
| C_{PD} | Power dissipation capacitance (per output pair) | LVC MOS: Q0 | $V_{CCOX} = 3.465V$ | | 11.5 | | pF |
| | | LVC MOS: Q1, FCLK | $V_{CCOX} = 3.465V$ | | 13 | | pF |
| | | LVC MOS: Q0 | $V_{CCOX} = 2.625V$ | | 10.5 | | pF |
| | | LVC MOS: Q1, FCLK | $V_{CCOX} = 2.625V$ | | 16 | | pF |
| | | LVC MOS: Q0 | $V_{CCOX} = 1.89V$ | | 11 | | pF |
| | | LVC MOS: Q1, FCLK | $V_{CCOX} = 1.89V$ | | 13 | | pF |
| | | LVDS, HCSL or LVPECL: Q0 | $V_{CCOX} = 3.465V$ or $2.625V$ | | 2.5 | | pF |
| | | LVDS, HCSL or LVPECL: Q1, FCLK | $V_{CCOX} = 3.465V$ or $2.625V$ | | 4.5 | | pF |
| R_{OUT} | Output Impedance | GPIO[3:0] | $V_{CCCS} = 3.3V$ | | 26 | | Ω |
| | | | $V_{CCCS} = 2.5V$ | | 30 | | |
| | | | $V_{CCCS} = 1.8V$ | | 42 | | |
| | | LVC MOS: Q[1:0], nQ[1:0], FCLK | $V_{CCOX} = 3.3V$ | | 18 | | Ω |
| | | | $V_{CCOX} = 2.5V$ | | 22 | | |
| | | | $V_{CCOX} = 1.8V$ | | 30 | | |

a. V_{CCOX} denotes: V_{CCO0} , V_{CCO1} , V_{CCO2} .

b. This specification does not apply to the OSCI or OSCO pins.

Table 27: LVCMOS/LVTTL DC Characteristics, $V_{CC} = 3.3V \pm 5\%$ or $2.5V \pm 5\%$, $V_{EE} = 0V$, $T_A = -40^\circ C$ to $85^\circ C$

| Symbol | Parameter | | Test Conditions | Minimum | Typical | Maximum | Units |
|----------|---------------------|--|---|---------|---------|------------------|---------|
| V_{IH} | Input high voltage | nWP, nRST, GPIO[3:0], SDATA, SCLK, S_A1, S_A0 | $V_{CCCS} = 3.3V$ | 2.1 | | $V_{CCCS} + 0.3$ | V |
| | | | $V_{CCCS} = 2.5V$ | 1.7 | | $V_{CCCS} + 0.3$ | V |
| | | | $V_{CCCS} = 1.8V$ | 1.4 | | $V_{CCCS} + 0.3$ | V |
| V_{IL} | Input low voltage | nWP, nRST, GPIO[3:0], SDATA, SCLK, S_A1, S_A0 | $V_{CCCS} = 3.3V$ | -0.3 | | 0.8 | V |
| | | | $V_{CCCS} = 2.5V$ | -0.3 | | 0.6 | V |
| | | | $V_{CCCS} = 1.8V$ | -0.3 | | 0.4 | V |
| I_{IH} | Input high current | S_A1, S_A0 | $V_{CCCS} = V_{IN} = 3.465V, 2.625V, 1.89V$ | | | 150 | μA |
| | | nRST, nWP, SDATA, SCLK | $V_{CCCS} = V_{IN} = 3.465V, 2.625V, 1.89V$ | | | 5 | μA |
| | | GPIO[3:0] | $V_{CCCS} = V_{IN} = 3.465V, 2.625V, 1.89V$ | | | 1 | mA |
| I_{IL} | Input low current | S_A1, S_A0 | $V_{CCCS} = 3.465V, 2.625V, 1.89V, V_{IN} = 0V$ | -5 | | | μA |
| | | nRST, nWP, SDATA, SCLK | $V_{CCCS} = 3.465V, 2.625V, 1.89V, V_{IN} = 0V$ | -150 | | | μA |
| | | GPIO[3:0] | $V_{CCCS} = 3.465V, 2.625V, 1.89V, V_{IN} = 0V$ | -1 | | | mA |
| V_{OH} | Output high voltage | SDATA, ^[a] SCLK, ^[a] nINT ^[a] | $V_{CCCS} = 3.3V \pm 5\%, I_{OH} = -5\mu A$ | 2.6 | | | V |
| | | GPIO[3:0] | $V_{CCCS} = 3.3V \pm 5\%, I_{OH} = -50\mu A$ | 2.6 | | | V |
| | | SDATA, ^[a] SCLK, ^[a] nINT ^[a] | $V_{CCCS} = 2.5V \pm 5\%, I_{OH} = -5\mu A$ | 1.8 | | | V |
| | | GPIO[3:0] | $V_{CCCS} = 2.5V \pm 5\%, I_{OH} = -50\mu A$ | 1.8 | | | V |
| | | SDATA, ^[a] SCLK, ^[a] nINT ^[a] | $V_{CCCS} = 1.8V \pm 5\%, I_{OH} = -5\mu A$ | 1.3 | | | V |
| | | GPIO[3:0] | $V_{CCCS} = 1.8V \pm 5\%, I_{OH} = -50\mu A$ | 1.3 | | | V |
| V_{OL} | Output low voltage | SDATA, ^[a] SCLK, ^[a] nINT ^[a] | $V_{CCCS} = 3.3V \pm 5\%, 2.5V \pm 5\%, \text{ or } 1.8V \pm 5\%$ $I_{OL} = 5mA$ | | | 0.5 | V |
| | | GPIO[3:0] | $V_{CCCS} = 3.3V \pm 5\%, 2.5V \pm 5\%, \text{ or } 1.8V \pm 5\%$ $I_{OL} = 5mA$ | | | 0.5 | V |

a. Use of external pull-up resistors is recommended.

Table 28: Differential Input DC Characteristics, $V_{CC} = 3.3V \pm 5\%$ or $2.5V \pm 5\%$, $V_{EE} = 0V$, $T_A = -40^\circ C$ to $85^\circ C$

| Symbol | Parameter | | Test Conditions | Minimum | Typical | Maximum | Units |
|-----------|---|---------------------------|---|----------|---------|----------------|---------|
| I_{IH} | Input high current | CLK, nCLK; FBIN, nFBIN | $V_{CC} = V_{IN} = 3.465V$ or $2.625V$ | | | 150 | μA |
| I_{IL} | Input low current | CLK, FBIN | $V_{CC} = 3.465V$ or $2.625V$, $V_{IN} = 0V$ | -5 | | | μA |
| | | nCLK, nFBIN | $V_{CC} = 3.465V$ or $2.625V$, $V_{IN} = 0V$ | -150 | | | μA |
| V_{PP} | Peak-to-peak voltage ^[a] | | | 0.15 | | 1.3 | V |
| V_{CMR} | Common mode input voltage ^{[a], [b]} | | | V_{EE} | | $V_{CC} - 1.2$ | V |

- a. V_{IL} should not be less than $-0.3V$. V_{IH} should not be higher than V_{CC} .
 b. Common mode voltage is defined as the cross-point.

Table 29: LVPECL DC Characteristics, $V_{CC} = 3.3V \pm 5\%$ or $2.5V \pm 5\%$, $V_{EE} = 0V$, $T_A = -40^\circ C$ to $85^\circ C$

| Symbol | Parameter | Test Conditions | $V_{CCOX}^{[a]} = 3.3V \pm 5\%$ | | | $V_{CCOX}^{[a]} = 2.5V \pm 5\%$ | | | Units |
|----------|------------------------------------|-----------------|---------------------------------|---------|-------------------|---------------------------------|---------|-------------------|-------|
| | | | Minimum | Typical | Maximum | Minimum | Typical | Maximum | |
| V_{OH} | Output high voltage ^[b] | | $V_{CCOX} - 1.3$ | | $V_{CCOX} - 0.8$ | $V_{CCOX} - 1.4$ | | $V_{CCOX} - 0.9$ | V |
| V_{OL} | Output low voltage ^[b] | | $V_{CCOX} - 1.95$ | | $V_{CCOX} - 1.75$ | $V_{CCOX} - 1.95$ | | $V_{CCOX} - 1.75$ | V |

- a. V_{CCOX} denotes V_{CC00} , V_{CC01} , V_{CC02} .
 b. Outputs terminated with 50Ω to $V_{CCOX} - 2V$.

Table 30: LVDS DC Characteristics, $V_{CC} = 3.3V \pm 5\%$ or $2.5V \pm 5\%$, $V_{CCOX} = 3.3V \pm 5\%$ or $2.5V \pm 5\%$, $V_{EE} = 0V$, $T_A = -40^\circ C$ to $85^\circ C$ ^{[a], [b]}

| Symbol | Parameter | Test Conditions | Minimum | Typical | Maximum | Units |
|-----------------|-----------------------------|-----------------|---------|---------|---------|-------|
| V_{OD} | Differential output voltage | | 200 | | 400 | mV |
| ΔV_{OD} | V_{OD} magnitude change | | | | 50 | mV |
| V_{OS} | Offset voltage | | 1.1 | | 1.375 | V |
| ΔV_{OS} | V_{OS} magnitude change | | | | 50 | mV |

- a. V_{CCOX} denotes V_{CC00} , V_{CC01} , V_{CC02} .
 b. Terminated with 100Ω across Qx and nQx .

Table 31: LVCMOS DC Characteristics, $V_{CC} = 3.3V \pm 5\%$ or $2.5V \pm 5\%$, $V_{EE} = 0V$, $T_A = -40^\circ C$ to $85^\circ C$

| Symbol | Parameter | Test Conditions | $V_{CCOX}^{[a]} = 3.3V \pm 5\%$ | | | $V_{CCOX}^{[a]} = 2.5V \pm 5\%$ | | | $V_{CCOX}^{[a]} = 1.8V \pm 5\%$ | | | Units |
|----------|---------------------|-----------------|---------------------------------|---------|---------|---------------------------------|---------|---------|---------------------------------|---------|---------|-------|
| | | | Minimum | Typical | Maximum | Minimum | Typical | Maximum | Minimum | Typical | Maximum | |
| V_{OH} | Output high voltage | $I_{OH} = -8mA$ | 2.6 | | | 1.8 | | | 1.1 | | | V |
| V_{OL} | Output low voltage | $I_{OL} = 8mA$ | | | 0.5 | | | 0.5 | | | 0.5 | V |

- a. V_{CCOX} denotes V_{CC00} , V_{CC01} , V_{CC02} .

Table 32: Input Frequency Characteristics, $V_{CC} = 3.3V \pm 5\%$ or $2.5V \pm 5\%$, $T_A = -40^\circ C$ to $85^\circ C$

| Symbol | Parameter | | Test Conditions | Minimum | Typical | Maximum | Units |
|------------|---|----------------------------|--|---------|---------|---------|-------|
| f_{IN} | Input frequency ^[a] | OSCI, OSCO | Using a crystal (see Table 33 for Crystal Characteristics) | 10 | | 50 | MHz |
| | | | Over-driving crystal input doubler logic enabled ^[b] | 10 | | 62.5 | MHz |
| | | | Over-driving crystal input doubler logic disabled ^[b] | 10 | | 125 | MHz |
| | | CLK, nCLK; FBIN, nFBIN | 0.008 | | 875 | MHz | |
| f_{PD} | Phase detector frequency ^[c] | | | 0.008 | | 8 | MHz |
| f_{SCLK} | Serial port clock SCLK (slave mode) | I ² C Operation | | 100 | | 400 | kHz |

- For the input reference frequency, the divider values must be set for the VCO to operate within its supported range.
- For optimal noise performance, the use of a quartz crystal is recommended. Refer to [Overdriving the XTAL Interface](#) in the [Applications Information](#) section.
- Pre-dividers must be used to divide the input reference frequency down to a f_{PD} valid frequency range.

Table 33: Crystal Characteristics

| Parameter | Test Conditions | Minimum | Typical | Maximum | Units |
|------------------------------------|-----------------|-------------|---------|---------|----------|
| Mode of Oscillation | | Fundamental | | | |
| Frequency | | 10 | | 50 | MHz |
| Equivalent Series Resistance (ESR) | | | 15 | 30 | Ω |
| Load Capacitance (C_L) | | | 12 | | pF |
| Frequency stability (total) | | -100 | | 100 | ppm |

AC Electrical Characteristics

Table 34: AC Characteristics, $V_{CC} = 3.3V \pm 5\%$ or $2.5V \pm 5\%$, $V_{CCOx} = 3.3V \pm 5\%$, $2.5V \pm 5\%$ or $1.8V \pm 5\%$ ($1.8V$ only supported for LVCMOS outputs), $T_A = -40^\circ C$ to $85^\circ C$ ^{[a], [b]}

| Symbol | Parameter | | Test Conditions | Minimum | Typical | Maximum | Units |
|-------------------------------|--|----------------------------|--|--------------------|---------------------------|---------|-------|
| f_{VCO} | VCO operating frequency | | | 3000 | | 4000 | MHz |
| f_{OUT} | Output frequency | LVPECL, LVDS, HCSL | Integer divide ratio | 0.008 | | 1000 | MHz |
| | | | Q0, Q1, FCLK outputs non-integer divide | 0.008 | | 400 | MHz |
| | | LVCMOS | 0.008 | | 250 | MHz | |
| t_R / t_F | Output rise and fall times | LVPECL | 20% to 80% | | 320 | 520 | ps |
| | | LVDS | 20% to 80%, $V_{CCOx} = 3.3V$ | | 160 | 320 | ps |
| | | | 20% to 80%, $V_{CCOx} = 2.5V$ | | 200 | 400 | ps |
| | | HCSL | 20% to 80% | | 280 | 470 | ps |
| | | LVCMOS ^{[c], [d]} | 20% to 80%, $V_{CCOx} = 3.3V$ | | 240 | 310 | ps |
| | | | 20% to 80%, $V_{CCOx} = 2.5V$ | | 260 | 330 | ps |
| 20% to 80%, $V_{CCOx} = 1.8V$ | | | 350 | 550 | ps | | |
| SR | Output slew rate | LVPECL | Measured on differential waveform, $\pm 150mV$ from center | 1 | | 5 | V/ns |
| | | LVDS | Measured on differential waveform, $\pm 150mV$ from center, $V_{CCOx} = 2.5V$ | 0.5 | | 4 | V/ns |
| | | | Measured on differential waveform, $\pm 150mV$ from center, $V_{CCOx} = 3.3V$ | 0.5 | | 5 | V/ns |
| | | HCSL | Measured on differential waveform, $\pm 150mV$ from center, $V_{CCOx} = 2.5V$, $f_{OUT} \leq 156.25MHz$ | 1.5 | | 5 | V/ns |
| | | | Measured on differential waveform, $\pm 150mV$ from center, $V_{CCOx} = 3.3V$, $f_{OUT} \leq 156.25MHz$ | 2.5 | | 6.5 | V/ns |
| | | odc | Output duty cycle ^[e] | LVPECL, LVDS, HCSL | $f_{OUT} \leq 666.667MHz$ | 45 | 50 |
| LVPECL, LVDS, HCSL | $f_{OUT} > 666.667MHz$ | | | 40 | 50 | 60 | % |
| LVCMOS | | | | 40 | 50 | 60 | % |
| SPO | Static phase offset ^[f] | | Default configuration | | 431 | | ps |
| ΔSPO | Static phase offset variation ^[f] | | Default configuration | -200 | | 200 | ps |

Table 34: AC Characteristics, $V_{CC} = 3.3V \pm 5\%$ or $2.5V \pm 5\%$, $V_{CCOx} = 3.3V \pm 5\%$, $2.5V \pm 5\%$ or $1.8V \pm 5\%$ (1.8V only supported for LVCMOS outputs), $T_A = -40^\circ C$ to $85^\circ C$ ^{[a], [b]} (Cont.)

| Symbol | Parameter | Test Conditions | Minimum | Typical | Maximum | Units | |
|--------------------|--|----------------------|---|---------|---------|-------|--------|
| $\Phi_{SSB}(1k)$ | Single sideband phase noise ^[f] | 1kHz | Q0, nQ0 | | -131 | | dBc/Hz |
| | | | Q1, nQ1 | | -124 | | dBc/Hz |
| $\Phi_{SSB}(10k)$ | | 10kHz | Q0, nQ0 | | -148 | | dBc/Hz |
| | | | Q1, nQ1 | | -141 | | dBc/Hz |
| $\Phi_{SSB}(100k)$ | | 100kHz | Q0, nQ0 | | -157 | | dBc/Hz |
| | | | Q1, nQ1 | | -151 | | dBc/Hz |
| $\Phi_{SSB}(1M)$ | | 1MHz | Q0, nQ0 | | -165 | | dBc/Hz |
| | | | Q1, nQ1 | | -158 | | dBc/Hz |
| $\Phi_{SSB}(5M)$ | | 5MHz | Q0, nQ0 | | -165 | | dBc/Hz |
| | | | Q1, nQ1 | | -161 | | dBc/Hz |
| | Spurious limit at offset ^[f] | $\geq 800kHz$ | Default configuration | | -64.5 | | dBc |
| $t_{startup}$ | Startup time ^[g] | Internal OTP startup | From $V_{CC} > 80\%$ to first output clock edge | | 110 | 150 | ms |

- V_{CCOx} denotes V_{CCO0} , V_{CCO1} , V_{CCO2} .
- Electrical parameters are guaranteed over the specified ambient operating temperature range, which is established when the device is mounted in a test socket with maintained transverse airflow greater than 500lfpm. The device will meet specifications after thermal equilibrium has been reached under these conditions.
- Appropriate SE_MODE bit must be configured to select phase-aligned or phase-inverted operation.
- All Q and nQ outputs in phase-inverted operation.
- Characterized in PLL mode. Duty cycle of bypassed signals (input reference clocks or crystal input) is not adjusted by the device.
- Characterized with default configuration.
- This parameter is guaranteed by design.

Table 35: HCSL AC Characteristics, $V_{CC} = 3.3V \pm 5\%$ or $2.5V \pm 5\%$, $V_{CCOx} = 3.3V \pm 5\%$ or $2.5V \pm 5\%$, $T_A = -40^\circ C$ to $85^\circ C$ ^{[a], [b]}

| Symbol | Parameter | Test Conditions | Minimum | Typical | Maximum | Units |
|--------------------|---|-----------------|---------|---------|---------|-------|
| V_{RB} | Ring-back voltage margin ^{[c], [d]} | | -100 | | 100 | mV |
| t_{STABLE} | Time before V_{RB} is allowed ^{[c], [d]} | | 500 | | | ps |
| V_{MAX} | Absolute max. output voltage ^{[e], [f]} | | | | 1150 | mV |
| V_{MIN} | Absolute min. output voltage ^{[e], [g]} | | -300 | | | mV |
| V_{CROSS} | Absolute crossing voltage ^{[h], [i]} | | 200 | | 500 | mV |
| ΔV_{CROSS} | Total variation of V_{CROSS} over all edges ^{[h], [j]} | | | | 140 | mV |

- a. Electrical parameters are guaranteed over the specified ambient operating temperature range, which is established when the device is mounted in a test socket with maintained transverse airflow greater than 500 lfm. The device will meet specifications after thermal equilibrium has been reached under these conditions.
- b. V_{CCOx} denotes V_{CCO0} , V_{CCO1} , V_{CCO2} .
- c. Measurement taken from differential waveform.
- d. T_{STABLE} is the time the differential clock must maintain a minimum $\pm 150mV$ differential voltage after rising/falling edges before it is allowed to drop back into the $V_{RB} \pm 100mV$ differential range.
- e. Measurement taken from single ended waveform.
- f. Defined as the maximum instantaneous voltage including overshoot.
- g. Defined as the minimum instantaneous voltage including undershoot.
- h. Measured at crossing point where the instantaneous voltage value of the rising edge of Qx equals the falling edge of nQx.
- i. Refers to the total variation from the lowest crossing point to the highest, regardless of which edge is crossing. Refers to all crossing points for this measurement.
- j. Defined as the total variation of all crossing voltages of rising Qx and falling nQx, This is the maximum allowed variance in V_{CROSS} for any particular system.

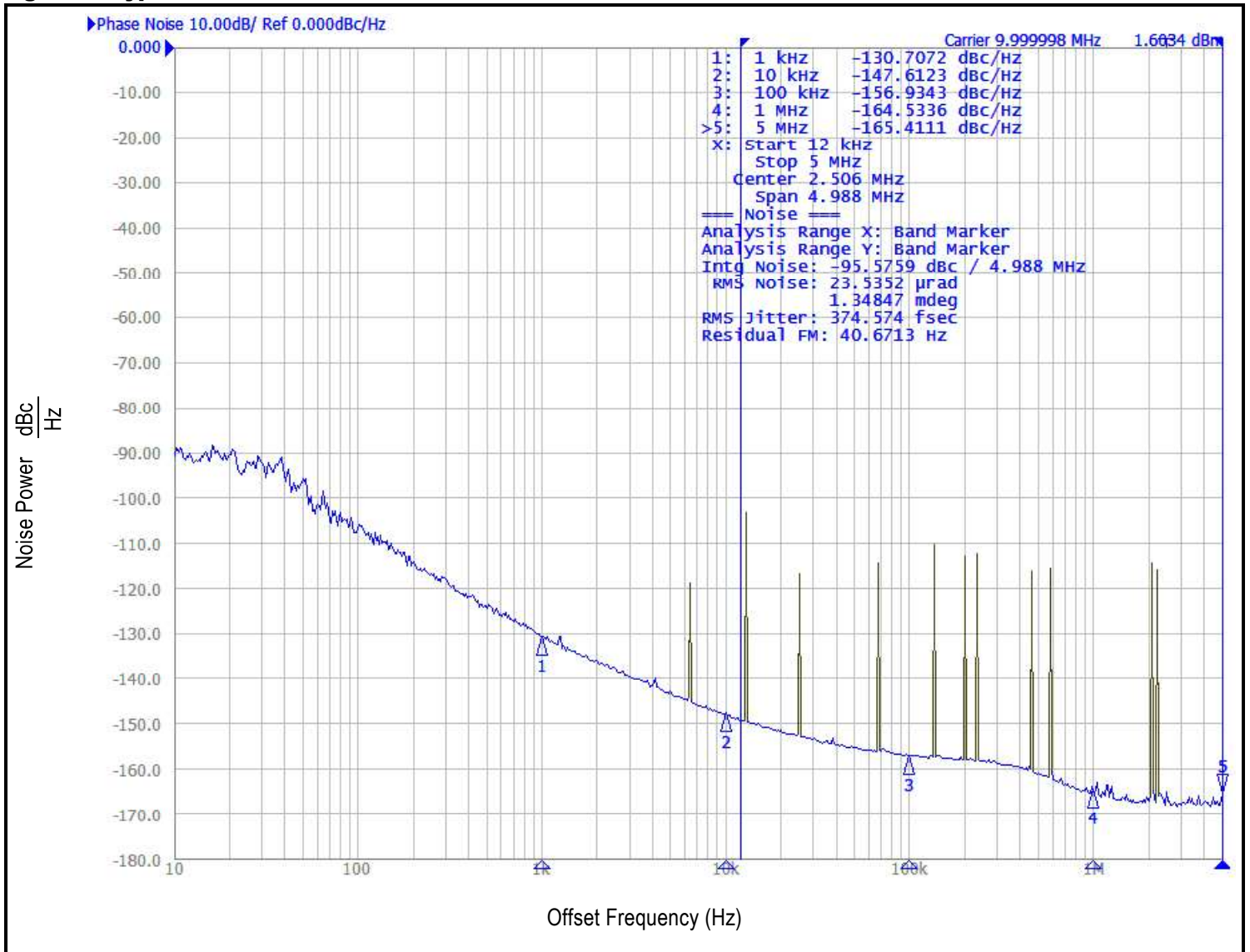
Table 36: Typical RMS Phase Jitter, $V_{CC} = 3.3V \pm 5\%$ or $2.5V \pm 5\%$, $V_{CCOx} = 3.3V \pm 5\%$, $2.5V \pm 5\%$ or $1.8V \pm 5\%$ ($1.8V$ only supported for LVCMOS outputs), $T_A = -40^\circ C$ to $85^\circ C$ ^[a]

| Symbol | Parameter | Test Conditions | Typical | Units | |
|-----------------|--|-----------------|-----------------------|-------|----|
| $t_{jit}(\phi)$ | RMS phase jitter ^[b] (Random) | Q0 | Default configuration | 375 | fs |
| | | Q1 | Default configuration | 382 | fs |

- a. V_{CCOx} denotes V_{CCO0} , V_{CCO1} , V_{CCO2} .
- b. It is recommended to use IDT's [Timing Commander](#) software to program the device for optimal jitter performance.

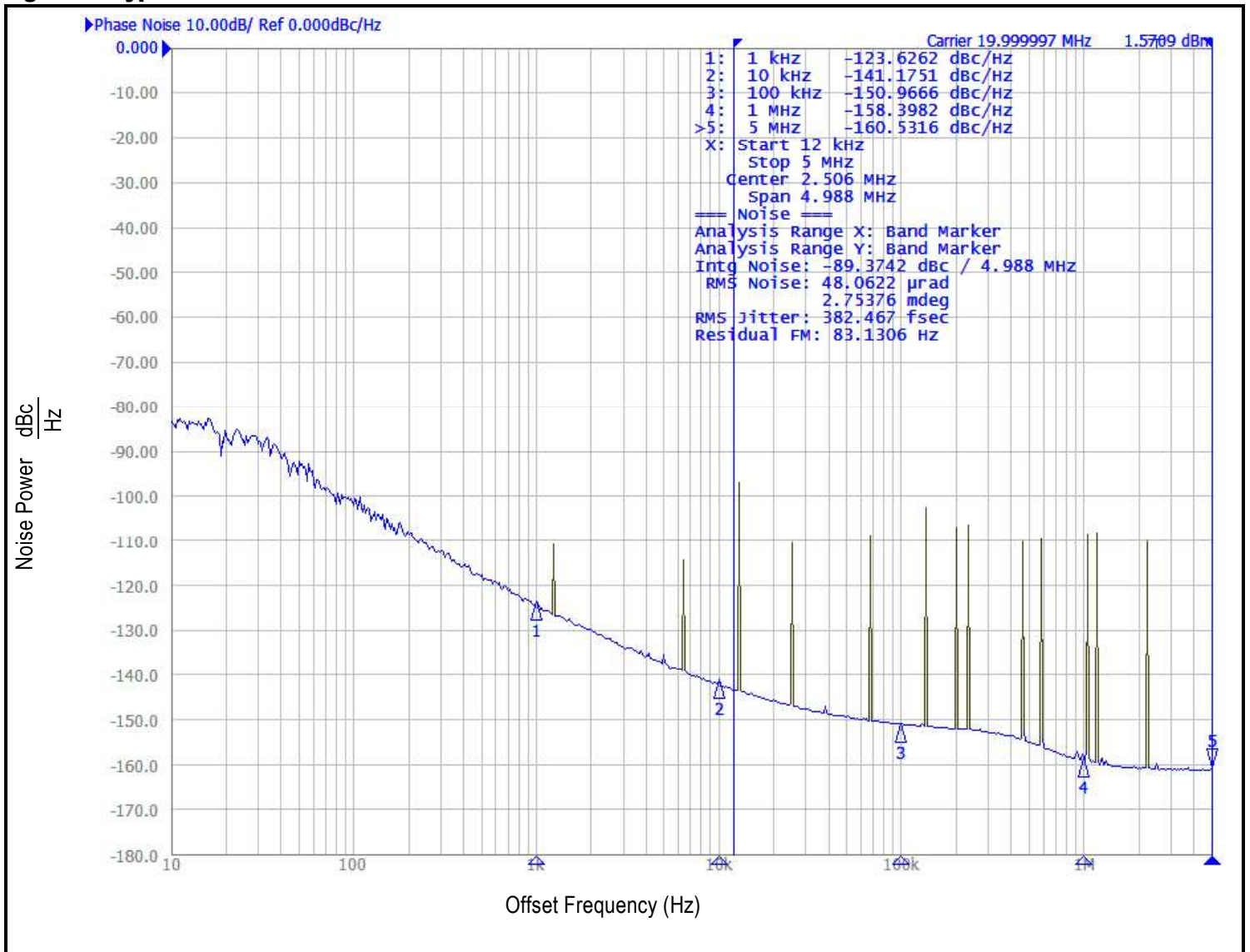
Typical Phase Noise (Q0, default configuration)

Figure 6: Typical Phase Noise Plot



Typical Phase Noise (Q1, default configuration)

Figure 7: Typical Phase Noise Plot



Applications Information

Recommendations for Unused Input and Output Pins

Inputs:

CLK/nCLK Input

For applications not requiring the use of one or more reference clock inputs, both CLK and nCLK can be left floating. Though not required, but for additional protection, a 1k Ω resistor can be tied from CLK to ground. It is recommended that CLK, nCLK not be driven with active signals when not selected.

Crystal Inputs

For applications not requiring the use of the crystal oscillator input, both OSCI and OSCO can be left floating. Though not required, but for additional protection, a 1k Ω resistor can be tied from OSCI to ground.

LVC MOS Control Pins

All control pins have internal pull-ups or pull-downs; additional resistance is not required but can be added for additional protection. A 1k Ω resistor can be used.

Outputs:

LVPECL Outputs

Any unused LVPECL output pair can be left floating. We recommend that there is no trace attached. Both sides of the differential output pair should either be left floating or terminated.

LVDS Outputs

Any unused LVDS output pair can be either left floating or terminated with 100 Ω across. If they are left floating there should be no trace attached.

LVC MOS Outputs

Any LVC MOS output can be left floating if unused. There should be no trace attached.

HCSL Outputs

All unused differential outputs can be left floating. We recommend that there is no trace attached. Both sides of the differential output pair should either be left floating or terminated.

Overdriving the XTAL Interface

The OSC1 input can be overdriven by an LVCMOS driver or by one side of a differential driver through an AC coupling capacitor. The OSC0 pin can be left floating. The amplitude of the input signal should be between 500mV and 1.8V and the slew rate should not be less than 0.2V/nS. For 3.3V LVCMOS inputs, the amplitude must be reduced from full swing to at least half the swing in order to prevent signal interference with the power rail and to reduce internal noise. [Figure 8](#) shows an example of the interface diagram for a high speed 3.3V LVCMOS driver. This configuration requires that the sum of the output impedance of the driver (R_o) and the series resistance (R_s) equals the transmission line impedance. In addition, matched termination at the crystal input will attenuate the signal in half. This can be done in one of two ways. First, R_1 and R_2 in parallel should equal the transmission line impedance. For most 50Ω applications, R_1 and R_2 can be 100Ω. This can also be accomplished by removing R_1 and changing R_2 to 50Ω. The values of the resistors can be increased to reduce the loading for a slower and weaker LVCMOS driver. [Figure 9](#) shows an example of the interface diagram for an LVPECL driver. This is a standard LVPECL termination with one side of the driver feeding the OSC1 input. It is recommended that all components in the schematics be placed in the layout. Though some components might not be used, they can be utilized for debugging purposes. The datasheet specifications are characterized and guaranteed by using a quartz crystal as the input.

Figure 8: General Diagram for LVCMOS Driver to XTAL Input Interface

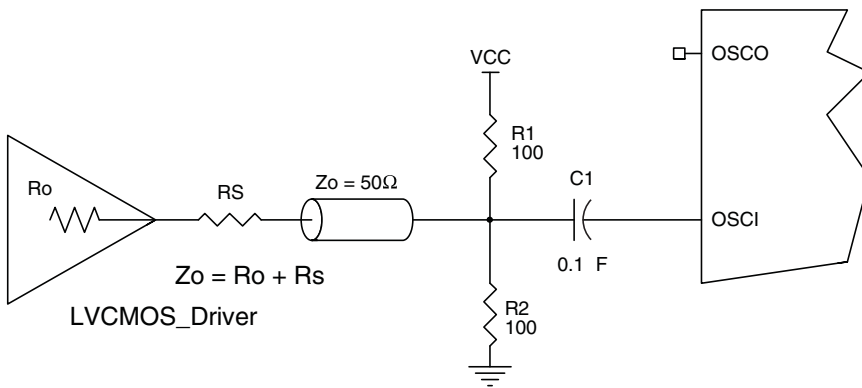
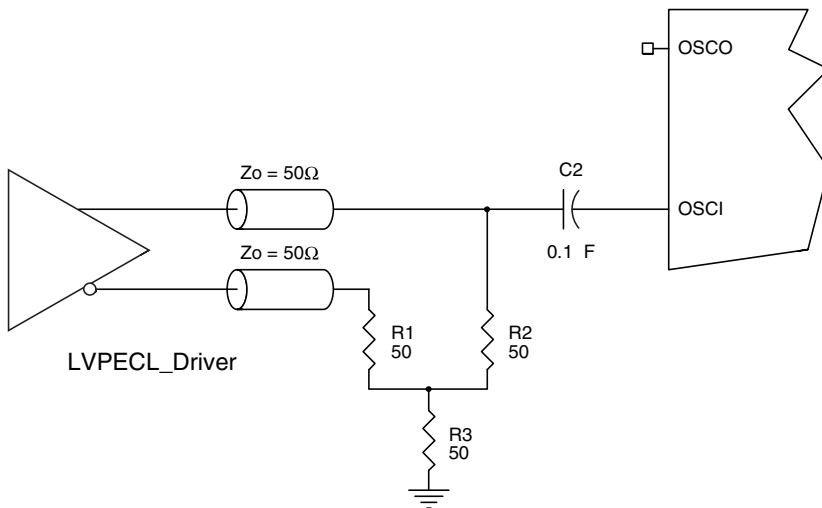


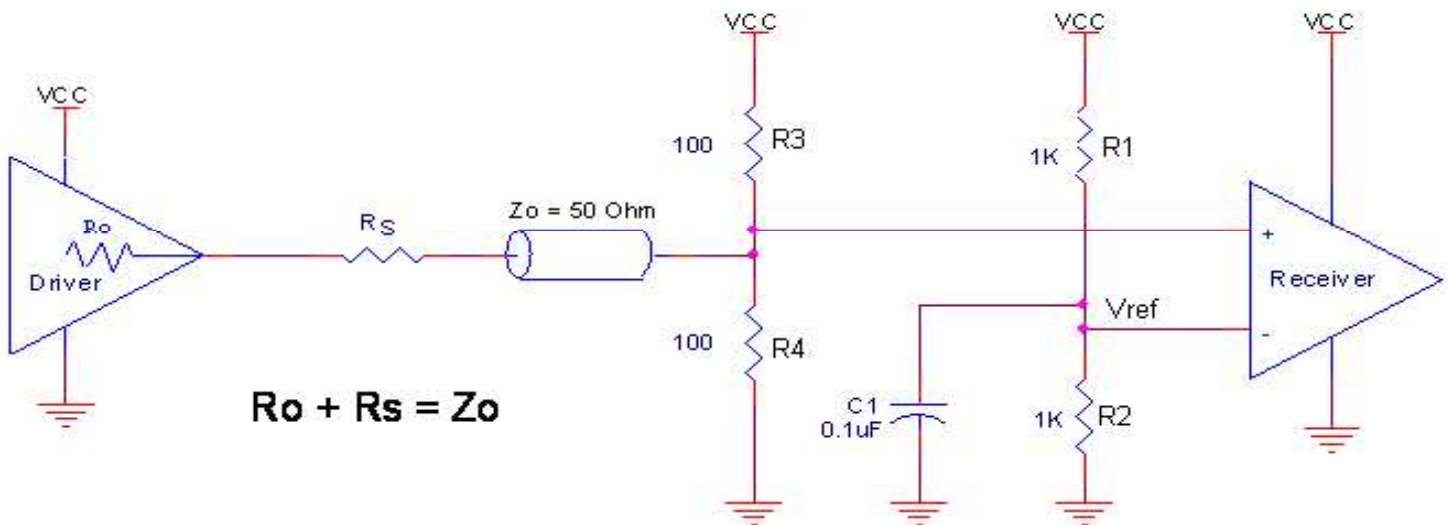
Figure 9: General Diagram for LVPECL Driver to XTAL Input Interface



Wiring the Differential Input to Accept Single-Ended Levels

Figure 10 shows how a differential input can be wired to accept single ended levels. The reference voltage $V_{REF} = V_{CC}/2$ is generated by the bias resistors R1 and R2. The bypass capacitor (C1) is used to help filter noise on the DC bias. This bias circuit should be located as close to the input pin as possible. The ratio of R1 and R2 might need to be adjusted to position the V_{REF} in the center of the input voltage swing. For example, if the input clock swing is 2.5V and $V_{CC} = 3.3V$, R1 and R2 value should be adjusted to set V_{REF} at 1.25V. The values below are for when both the single ended swing and V_{CC} are at the same voltage. This configuration requires that the sum of the output impedance of the driver (R_o) and the series resistance (R_s) equals the transmission line impedance. In addition, matched termination at the input will attenuate the signal in half. This can be done in one of two ways. First, R3 and R4 in parallel should equal the transmission line impedance. For most 50Ω applications, R3 and R4 can be 100Ω. The values of the resistors can be increased to reduce the loading for slower and weaker LVCMOS driver. When using single-ended signaling, the noise rejection benefits of differential signaling are reduced. Even though the differential input can handle full rail LVCMOS signaling, it is recommended that the amplitude be reduced. The datasheet specifies a lower differential amplitude, however this only applies to differential signals. For single-ended applications, the swing can be larger, however V_{IL} cannot be less than -0.3V and V_{IH} cannot be more than $V_{CC} + 0.3V$. Suggest edge rate faster than 1V/ns. Though some of the recommended components might not be used, the pads should be placed in the layout. They can be utilized for debugging purposes. The datasheet specifications are characterized and guaranteed by using a differential signal.

Figure 10: Recommended Schematic for Wiring a Differential Input to Accept Single-ended Levels



3.3V Differential Clock Input Interface

CLK/nCLK accepts LVDS, LVPECL, LVHSTL, HCSL and other differential signals. Both V_{SWING} and V_{OH} must meet the V_{PP} and V_{CMR} input requirements. [Figure 11](#) to [Figure 15](#) show interface examples for the CLK, nCLK input driven by the most common driver types. The input interfaces suggested here are examples only.

Please consult with the vendor of the driver component to confirm the driver termination requirements. For example, in [Figure 11](#), the input termination applies for IDT open emitter LVHSTL drivers. If you are using an LVHSTL driver from another vendor, use their termination recommendation.

Figure 11: CLK/ nCLK Input Driven by an IDT Open Emitter LVHSTL Driver

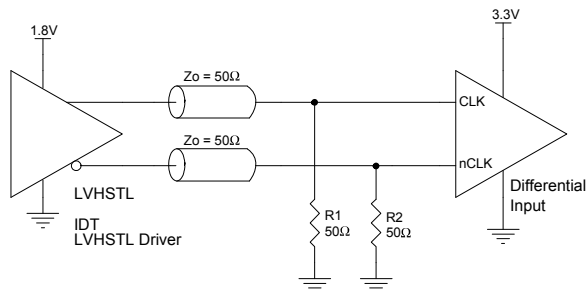


Figure 12: CLK/ nCLK Input Driven by a 3.3V LVPECL Driver

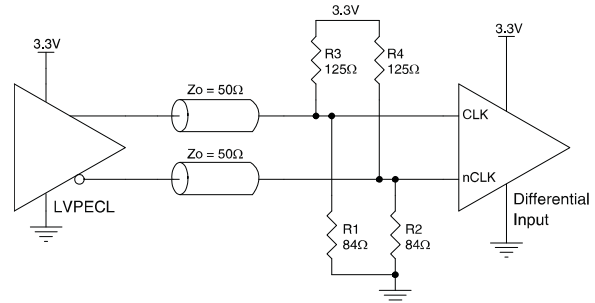


Figure 13: CLK/ nCLK Input Driven by a 3.3V HCSL Driver

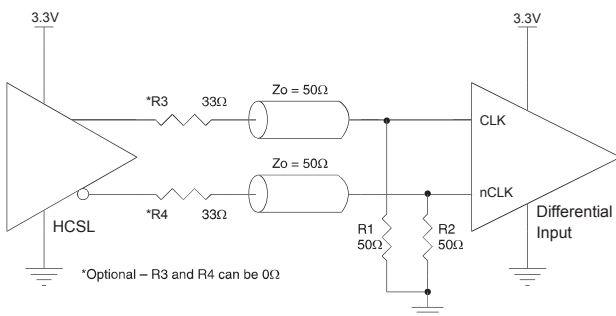


Figure 14: CLK/ nCLK Input Driven by a 3.3V LVPECL Driver

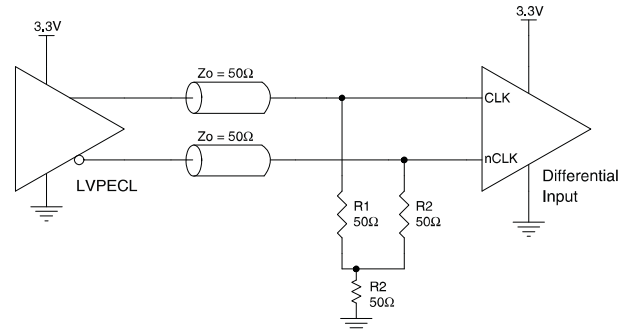
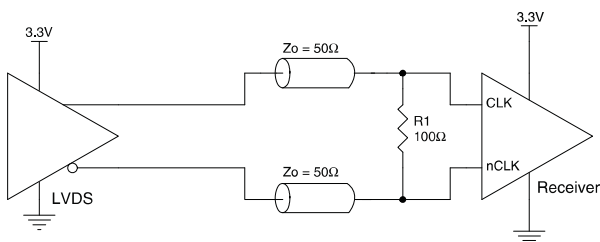


Figure 15: CLK/ nCLK Input Driven by a 3.3V LVDS Driver



2.5V Differential Clock Input Interface

CLK/nCLK accepts LVDS, LVPECL, LVHSTL, HCSL and other differential signals. Both V_{SWING} and V_{OH} must meet the V_{PP} and V_{CMR} input requirements. [Figure 16](#) to [Figure 20](#) show interface examples for the CLK/nCLK input driven by the most common driver types.

The input interfaces suggested here are examples only. Please consult with the vendor of the driver component to confirm the driver termination requirements. For example, in [Figure 16](#), the input termination applies for IDT open emitter LVHSTL drivers. If you are using an LVHSTL driver from another vendor, use their termination recommendation.

Figure 16: CLK/ nCLK Input Driven by an IDT Open Emitter LVHSTL Driver

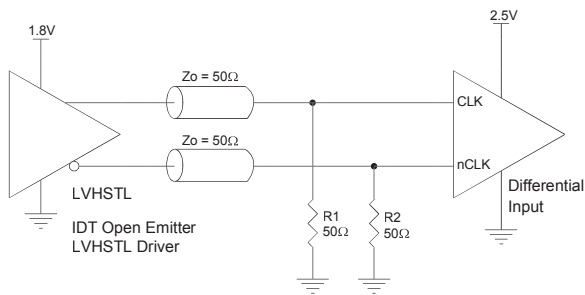


Figure 17: CLK/ nCLK Input Driven by a 2.5V LVPECL Driver

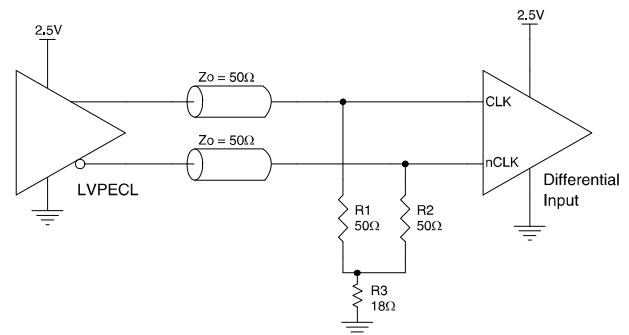


Figure 18: CLK/ nCLK Input Driven by a 2.5V HCSL Driver

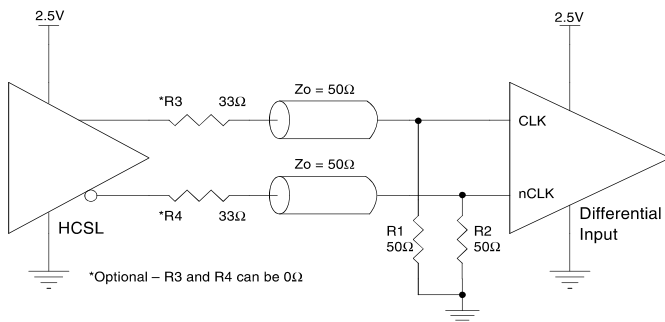


Figure 19: CLK/ nCLK Input Driven by a 2.5V LVPECL Driver

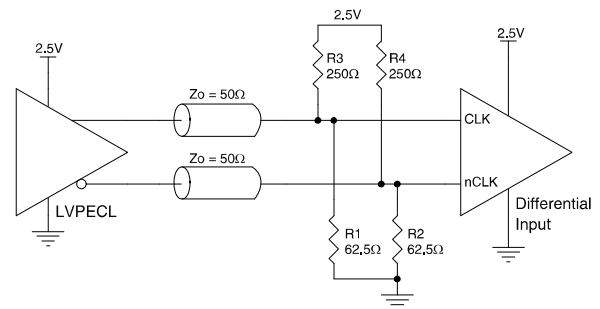
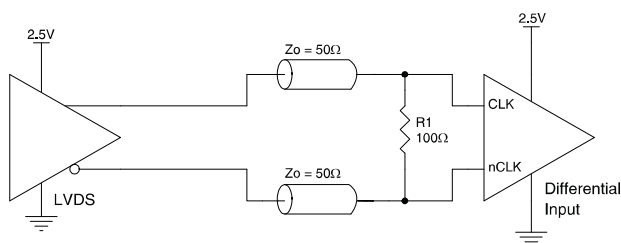


Figure 20: CLK/ nCLK Input Driven by a 2.5V LVDS Driver



LVDS Driver Termination

For a general LVDS interface, the recommended value for the termination impedance (Z_T) is between 90Ω and 132Ω . The actual value should be selected to match the differential impedance (Z_0) of your transmission line. A typical point-to-point LVDS design uses a 100Ω parallel resistor at the receiver and a 100Ω differential transmission-line environment. In order to avoid any transmission-line reflection issues, the components should be surface mounted and must be placed as close to the receiver as possible. IDT offers a full line of LVDS compliant devices with two types of output structures: current source and voltage source. The standard termination schematic as shown in [Figure 21](#) can be used with either type of output structure. [Figure 22](#), which can also be used with both output types, is an optional termination with center tap capacitance to help filter common mode noise. The capacitor value should be approximately 50pF . If using a non-standard termination, it is recommended to contact IDT and confirm if the output structure is current source or voltage source type. In addition, since these outputs are LVDS compatible, the input receiver's amplitude and common-mode input range should be verified for compatibility with the output.

Figure 21: Standard LVDS Termination

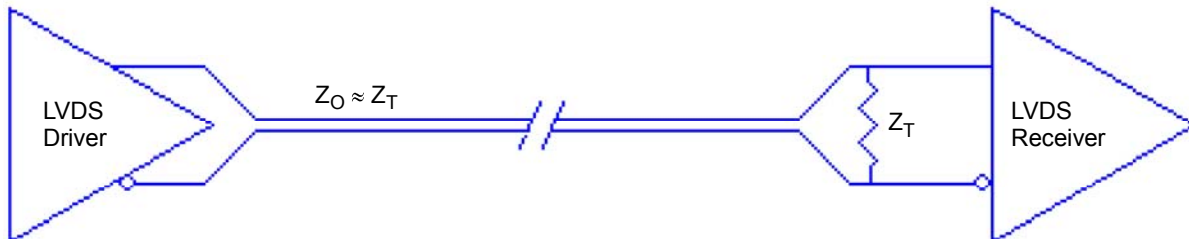
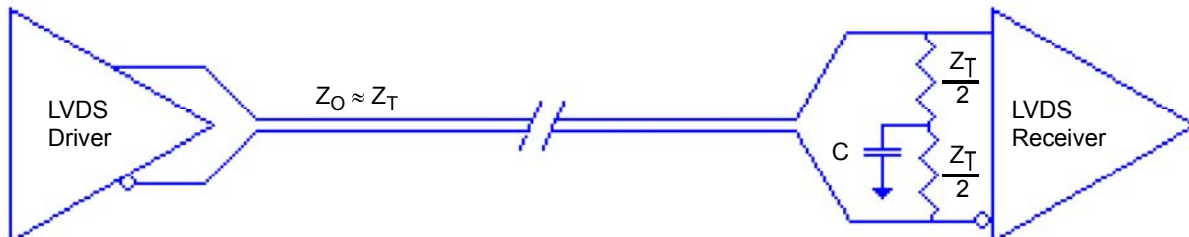


Figure 22: Optional LVDS Termination



Termination for 3.3V LVPECL Outputs

The clock layout topology shown below is a typical termination for LVPECL outputs. The two different layouts mentioned are recommended only as guidelines.

The differential outputs generate ECL/LVPECL compatible outputs. Therefore, terminating resistors (DC current path to ground) or current sources must be used for functionality. These outputs are designed to drive 50Ω transmission lines. Matched impedance techniques should be used to maximize operating frequency and minimize signal distortion. [Figure 23](#) and [Figure 24](#) show two different layouts which are recommended only as guidelines. Other suitable clock layouts may exist and it would be recommended that the board designers simulate to guarantee compatibility across all printed circuit and clock component process variations.

Figure 23: 3.3V LVPECL Output Termination

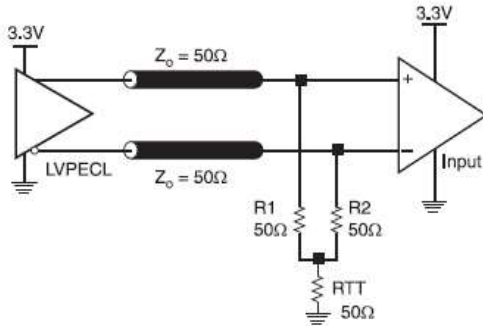
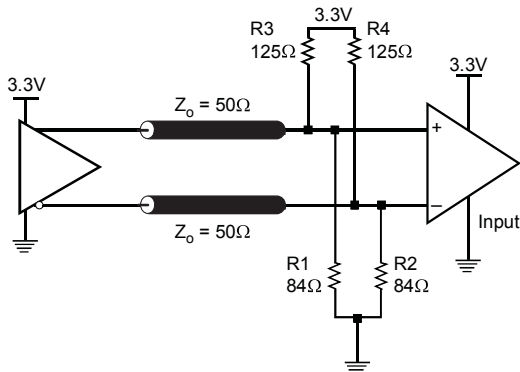


Figure 24: 3.3V LVPECL Output Termination



Termination for 2.5V LVPECL Outputs

Figure 25 and Figure 27 show examples of termination for 2.5V LVPECL driver. These terminations are equivalent to terminating 50Ω to $V_{CC0} - 2V$. For $V_{CC0} = 2.5V$, the $V_{CC0} - 2V$ is very close to ground level. The R3 in Figure 27 can be eliminated and the termination is shown in Figure 26.

Figure 25: 2.5V LVPECL Driver Termination Example

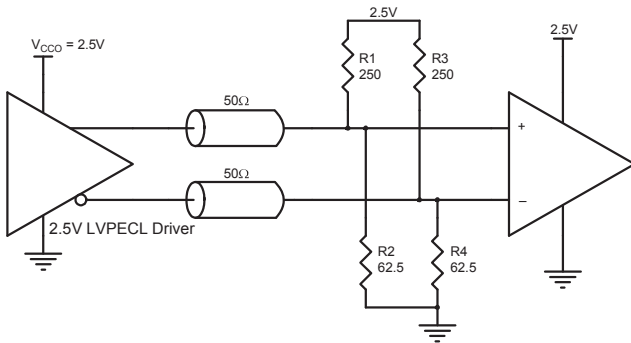


Figure 26: 2.5V LVPECL Driver Termination Example

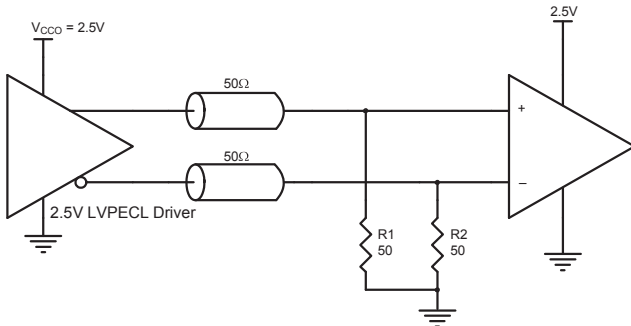
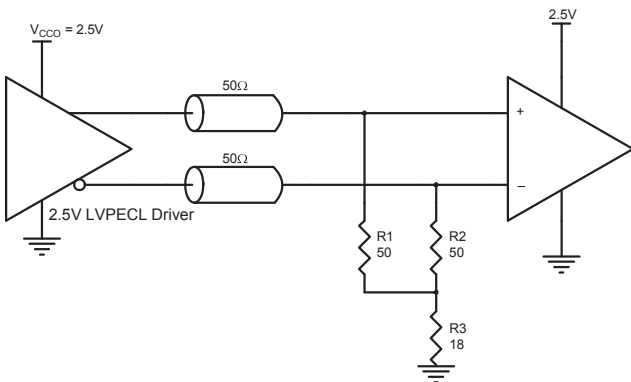


Figure 27: 2.5V LVPECL Driver Termination Example



HCSL Recommended Termination

Figure 28 is the recommended source termination for applications where the driver and receiver will be on a separate PCBs. This termination is the standard for PCI Express™ and HCSL output types. All traces should be 50Ω impedance single-ended or 100Ω differential.

Figure 28: Recommended Source Termination (where the driver and receiver will be on separate PCBs)

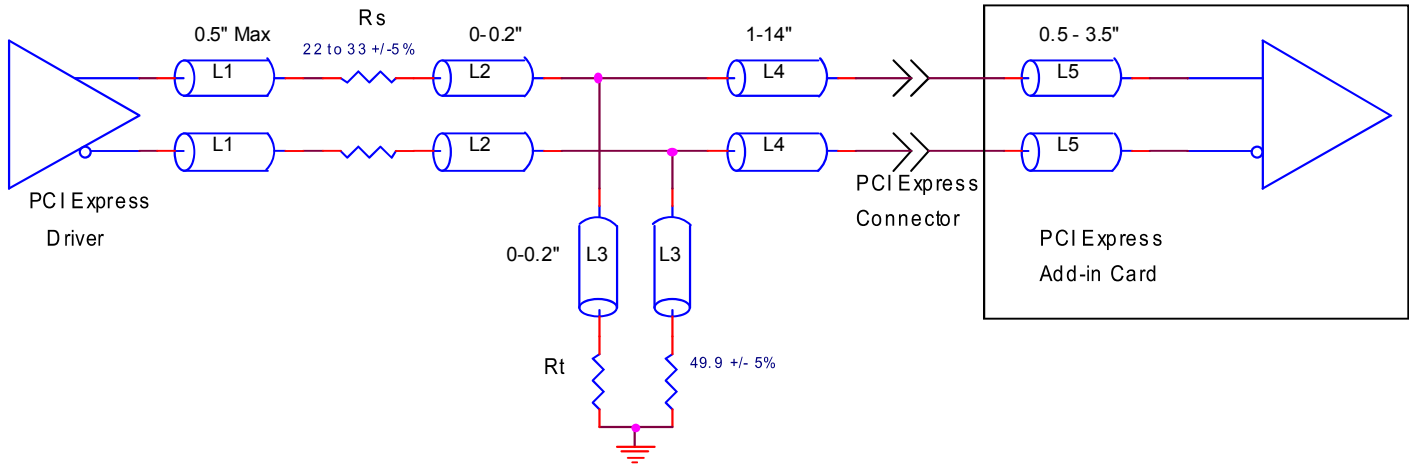
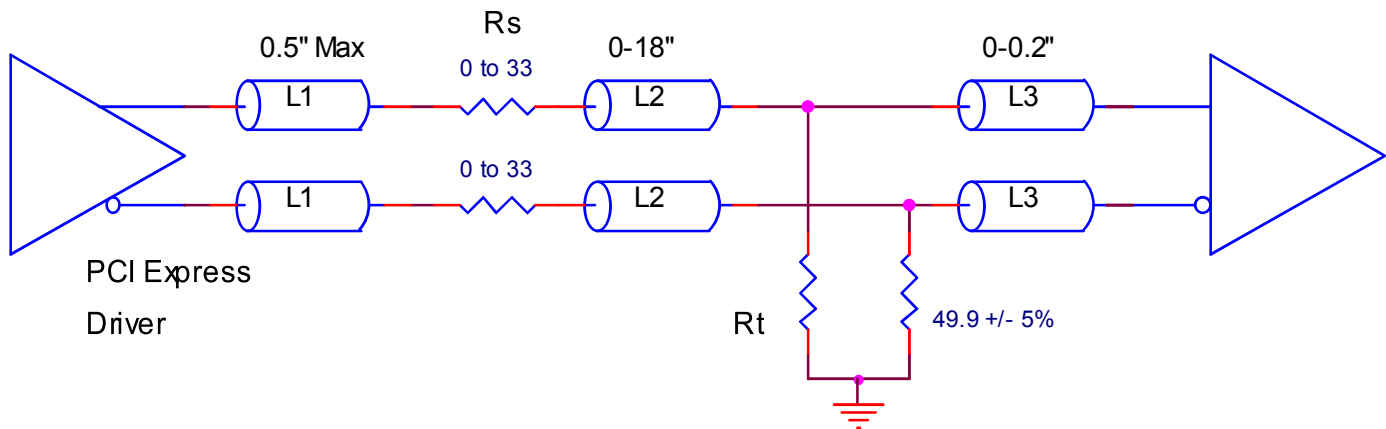


Figure 29 is the recommended termination for applications where a point-to-point connection can be used. A point-to-point connection contains both the driver and the receiver on the same PCB. With a matched termination at the receiver, transmission-line reflections will be minimized. In addition, a series resistor (Rs) at the driver offers flexibility and can help dampen unwanted reflections. The optional resistor can range from 0Ω to 33Ω. All traces should be 50Ω impedance single-ended or 100Ω differential.

Figure 29: Recommended Termination (where a point-to-point connection can be used)

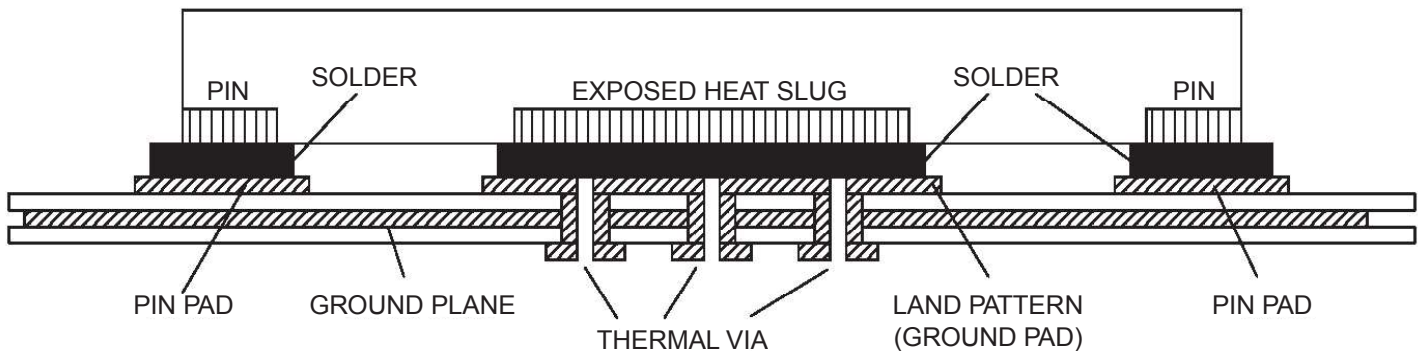


VFQFN EPAD Thermal Release Path

In order to maximize both the removal of heat from the package and the electrical performance, a land pattern must be incorporated on the Printed Circuit Board (PCB) within the footprint of the package corresponding to the exposed metal pad or exposed heat slug on the package, as shown in [Figure 30](#). The solderable area on the PCB, as defined by the solder mask, should be at least the same size/shape as the exposed pad/slug area on the package to maximize the thermal/electrical performance. Sufficient clearance should be designed on the PCB between the outer edges of the land pattern and the inner edges of pad pattern for the leads to avoid any shorts.

While the land pattern on the PCB provides a means of heat transfer and electrical grounding from the package to the board through a solder joint, thermal vias are necessary to effectively conduct from the surface of the PCB to the ground plane(s). The land pattern must be connected to ground through these vias. The vias act as “heat pipes”. The number of vias (i.e. “heat pipes”) are application specific and dependent upon the package power dissipation as well as electrical conductivity requirements. Thus, thermal and electrical analysis and/or testing are recommended to determine the minimum number needed. Maximum thermal and electrical performance is achieved when an array of vias is incorporated in the land pattern. It is recommended to use as many vias connected to ground as possible. It is also recommended that the via diameter should be 12 to 13mils (0.30 to 0.33mm) with 1oz copper via barrel plating. This is desirable to avoid any solder wicking inside the via during the soldering process which may result in voids in solder between the exposed pad/slug and the thermal land. Precautions should be taken to eliminate any solder voids between the exposed heat slug and the land pattern. Note: These recommendations are to be used as a guideline only. For further information, please refer to the Application Note on the *Surface Mount Assembly of Amkor’s Thermally/ Electrically Enhance Lead frame Base Package, Amkor Technology*.

Figure 30: P.C. Assembly for Exposed Pad Thermal Release Path – Side View (drawing not to scale)



Schematic and Layout Information

Schematics for the 8T49N243 can be found on IDT.com. Please search for the 8T49N243 device and click on the link for *evaluation board*. The evaluation board user guide includes schematic and layout information.

Crystal Recommendation

This device was validated using FOX 277LF series through-hole crystals including Part # 277LF-40-18 (40MHz). If a surface mount crystal is desired, we recommend FOX Part #603-40-48 (40MHz).

Power Dissipation and Thermal Considerations

The 8T49N243 is a multi-functional, high speed device that targets a wide variety of clock frequencies and applications. Since this device is highly programmable with a broad range of features and functionality, the power consumption will vary as these features and functions are enabled.

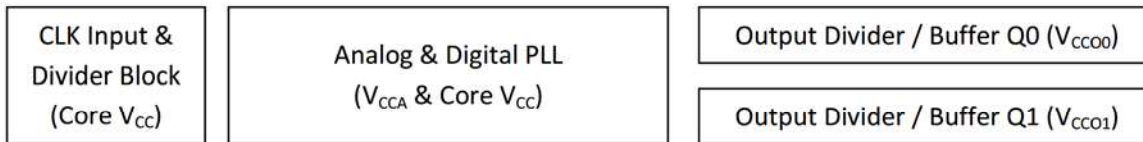
The 8T49N243 device is designed and characterized to operate within the ambient industrial temperature range of -40°C to 85°C. The ambient temperature represents the temperature around the device, not the junction temperature. When using the device in extreme cases, such as maximum operating frequency and high ambient temperature, external air flow may be required in order to ensure a safe and reliable junction temperature. Extreme care must be taken to avoid exceeding 125°C junction temperature.

The power calculation examples below are generated using maximum ambient temperature and supply voltage. For many applications, the power consumption will be much lower. Please contact IDT technical support for any concerns on calculating the power dissipation for your own specific configuration.

Power Domains

The 8T49N243 device has a number of separate power domains that can be independently enabled and disabled via register accesses (all power supply pins must still be connected to a valid supply voltage). [Figure 31](#) below indicates the individual domains and the associated power pins.

Figure 31: Power Domains



Power Consumption Calculation

Determining total power consumption involves several steps:

1. Determine the power consumption using maximum current values for core and analog voltage supplies from [Table 23](#) and [Table 24](#).
2. Determine the nominal power consumption of each enabled output path which consists of:
 - a. A base amount of power that is independent of operating frequency, as shown in [Table 38](#) through [Table 46](#) (depending on the chosen output protocol).
 - b. A variable amount of power that is related to the output frequency. This can be determined by multiplying the output frequency by the FQ_Factor shown in [Table 38](#) through [Table 46](#).
3. All of the above totals are summed.

Thermal Considerations

Once the total power consumption has been determined, it is necessary to calculate the maximum operating junction temperature for the device under the environmental conditions it will operate in. Thermal conduction paths, air flow rate and ambient air temperature are factors that can affect this. The thermal conduction path refers to whether heat is to be conducted away via a heat-sink, via airflow or via conduction into the PCB through the device pads (including the ePAD). Thermal conduction data is provided for typical scenarios in [Table 37](#) below. Please contact IDT for assistance in calculating results under other scenarios.

Table 37: Thermal Resistance θ_{JA} for 40-Lead VFQFN, Forced Convection^[a]

| θ_{JA} by Velocity | | | |
|---|----------|----------|----------|
| Meters per Second | 0 | 1 | 2 |
| Multi-Layer PCB, JEDEC Standard Test Boards | 26.3°C/W | 23.2°C/W | 21.7°C/W |

a. NOTE: Assumes 5x5 grid of thermal vias under ePAD area for thermal conduction.

Current Consumption Data and Equations

Table 38: 3.3V LVPECL Output Calculation Table

| Output | FQ_Factor (mA/MHz) | Base_Current (mA) |
|--------|--------------------|-------------------|
| Q0 | 0.00660 | 32.9 |
| Q1 | 0.01088 | 44.4 |

Table 39: 3.3V HCSL Output Calculation Table

| Output | FQ_Factor (mA/MHz) | Base_Current (mA) |
|--------|--------------------|-------------------|
| Q0 | 0.00647 | 33.5 |
| Q1 | 0.01050 | 44.7 |

Table 40: 3.3V LVDS Output Calculation Table

| Output | FQ_Factor (mA/MHz) | Base_Current (mA) |
|--------|--------------------|-------------------|
| Q0 | 0.00716 | 41.9 |
| Q1 | 0.01145 | 52.8 |
| FCLK | | |

Table 41: 3.3V LVCMOS Output Calculation Table

| Output | Base_Current (mA) |
|--------|-------------------|
| Q0 | 31.3 |
| Q1 | 42.1 |

Table 42: 2.5V LVPECL Output Calculation Table

| Output | FQ_Factor (mA/MHz) | Base_Current (mA) |
|--------|--------------------|-------------------|
| Q0 | 0.00483 | 27.6 |
| Q1 | 0.00865 | 38.3 |

Table 43: 2.5V HCSL Output Calculation Table

| Output | FQ_Factor (mA/MHz) | Base_Current (mA) |
|--------|--------------------|-------------------|
| Q0 | 0.00425 | 27.7 |
| Q1 | 0.00827 | 38.5 |

Table 44: 2.5V LVDS Output Calculation Table

| Output | FQ_Factor (mA/MHz) | Base_Current (mA) |
|--------|--------------------|-------------------|
| Q0 | 0.00483 | 36.0 |
| Q1 | 0.00906 | 46.3 |
| FCLK | | |

Table 45: 2.5V LVCMOS Output Calculation Table

| Output | Base_Current (mA) |
|--------|-------------------|
| Q0 | 25.8 |
| Q1 | 36.0 |

Table 46: 1.8V LVCMOS Output Calculation Table

| Output | Base_Current (mA) |
|--------|-------------------|
| Q0 | 22.8 |
| Q1 | 33.1 |

Applying the values to the following equation will yield output current by frequency:

$$Q_x \text{ Current (mA)} = FQ_Factor * \text{Frequency (MHz)} + \text{Base_Current}$$

where:

Q_x Current is the specific output current according to output type and frequency

FQ_Factor is used for calculating current increase due to output frequency

Base_Current is the base current for each output path independent of output frequency

The second step is to multiply the power dissipated by the thermal impedance to determine the maximum power gradient, using the following equation:

$$T_J = T_A + (\theta_{JA} * P_{d_{total}})$$

where:

T_J is the junction temperature (°C)

T_A is the ambient temperature (°C)

θ_{JA} is the thermal resistance value from [Table 37](#), dependent on ambient airflow (°C/W)

P_{d_{total}} is the total power dissipation of the 8T49N243 under usage conditions, including power dissipated due to loading (W).

Note that the power dissipation per output pair due to loading is assumed to be 27.95mW for LVPECL outputs and 44.5mW for HCSL outputs. When selecting LVCMOS outputs, power dissipation through the load will vary based on a variety of factors including termination type and trace length. For these examples, power dissipation through loading will be calculated using *C_{PD}* (found in [Table 26](#)) and output frequency:

$$P_{d_{OUT}} = C_{PD} * F_{OUT} * V_{CCO}^2$$

where:

P_{d_{OUT}} is the power dissipation of the output (W)

C_{PD} is the power dissipation capacitance (F)

F_{OUT} is the output frequency of the selected output (MHz)

V_{CCO} is the voltage supplied to the appropriate output (V)

Power Calculations Example

Table 47: Default Configuration (3.3V Core Voltage)

| Output | Output Type | Frequency (MHz) | V _{CCO} |
|--------|-------------|-----------------|------------------|
| Q0 | LVC MOS | 10 | 3.3V |
| Q1 | LVC MOS | 20 | 3.3V |
| FCLK | LVDS | 2.5 | 3.3V |

- Core supply current + control and status supply current = $I_{CC} + I_{CCCS} = 56\text{mA (max)}$
- Analog Supply Current, $I_{CCA} = 121\text{mA (max)}$
- Output supply current:
 - Q0 current = 31.3mA
 - Q1 current = 42.1mA
 - Q2 current = $2.5 * 0.01145 + 52.8 = 52.8\text{mA}$
- Total output supply current = **126.2mA**
- Total device current: $56\text{mA} + 121\text{mA} + 126.2\text{mA} = 303.2\text{mA}$
- Total device power = $3.465\text{V} * 303.2\text{mA} = 1050.6\text{mW}$
- Power dissipated through output loading:
 - LVC MOS = 4.5mW
 - $11.5\text{pF} * 10\text{MHz} * (3.465\text{V})^2 * 1 \text{ output pair} = 1.38\text{mW}$
 - $13\text{pF} * 20\text{MHz} * (3.465)^2 * 1 \text{ output pair} = 3.12\text{mW}$
 - LVDS = already accounted for in device power
- Total Power = $1050.6\text{mW} + 4.5\text{mW} = 1055.1\text{mW} = \mathbf{1.06\text{W}}$

With an ambient temperature of 85°C, and no air flow, the junction temperature is:

$$T_J = 85^\circ\text{C} + 26.3^\circ\text{C/W} * 1.06\text{W} = \mathbf{112.9^\circ\text{C}}$$

This is below the limit of 125°C.

Package Dimensions

Figure 32: 40-Lead VFQFN NL Package Outline

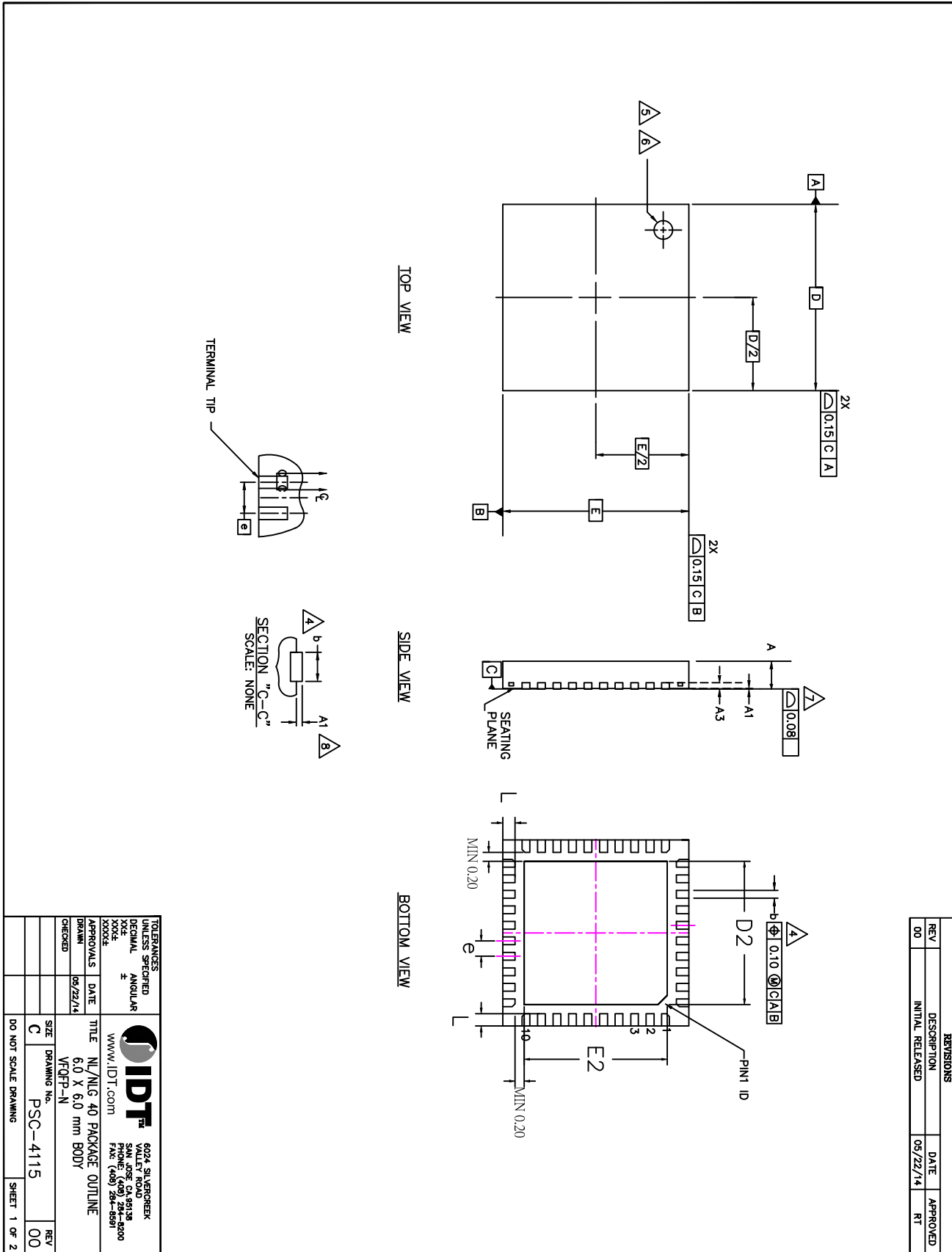
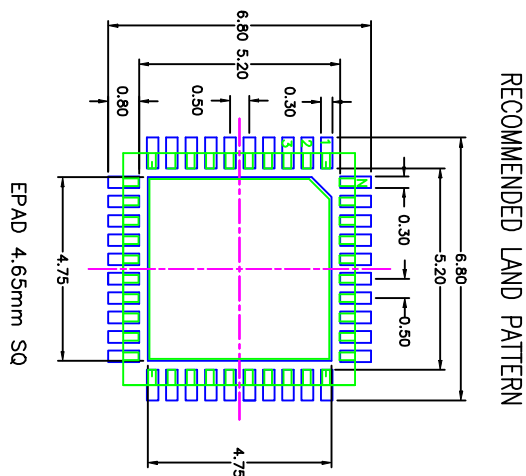


Figure 33: 40 Lead VFQFN NL Package Outline, continued

| SYMBOL | DIMENSION | | | NOTE |
|--------|-----------|------|------|------|
| | MIN | NOM | MAX | |
| b | 0.18 | 0.25 | 0.30 | 4 |
| D | 6.00 BSC | | | |
| E | 6.00 BSC | | | |
| D2 | 4.50 | 4.65 | 4.75 | |
| E2 | 4.50 | 4.65 | 4.75 | |
| L | 0.30 | 0.40 | 0.50 | |
| e | 0.50 BSC | | | |
| N | 40 | | | 2 |
| A | 0.80 | 0.90 | 1.00 | |
| A1 | 0.00 | 0.02 | 0.05 | 7 |
| A3 | 0.2 REF | | | |
| Nd | 10 | | | 2 |
| Ne | 10 | | | 2 |

NOTES:

1. DIMENSIONING & TOLERANCING CONFORM TO ASME Y14.5M. – 1994.
2. N IS THE NUMBER OF TERMINALS.
3. ALL DIMENSIONS ARE IN MILLIMETERS.
4. DIMENSION b APPLIES TO PLATED TERMINAL AND IS MEASURED BETWEEN 0.20 AND 0.30mm FROM TERMINAL TIP.
5. THE PIN #1 IDENTIFIER MUST EXIST ON THE TOP SURFACE OF THE PACKAGE BY USING INDENTATION MARK OR OTHER FEATURE OF PACKAGE BODY.
6. EXACT SHAPE AND SIZE OF THIS FEATURE IS OPTIONAL.
7. APPLIED TO EXPOSED PAD AND TERMINALS. EXCLUDE EMBEDDED PART OF EXPOSED PAD FROM MEASURING.
8. APPLIED ONLY FOR TERMINALS.
9. THIS OUTLINE CONFORMS TO JEDEC PUBLICATION 95 REGISTRATION MO-220, VARIATION VJJC-3 & VJJD-5 WITH THE EXCEPTION OF D2 & E2.

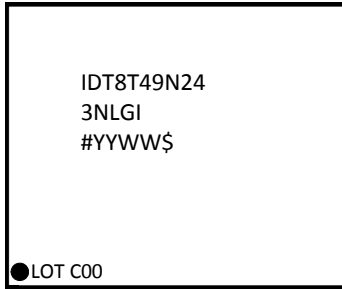

NOTES:

1. ALL DIMENSION ARE IN mm. ANGLES IN DEGREES.
2. TOP DOWN VIEW, AS VIEWED ON PCB.
3. COMPONENT OUTLINE SHOW FOR REFERENCE IN GREEN.
4. LAND PATTERN IN BLUE. NSMD PATTERN ASSUMED.
5. LAND PATTERN RECOMMENDATION PER IPC-7351B GENERIC REQUIREMENT FOR SURFACE MOUNT DESIGN AND LAND PATTERN.

| REVISIONS | | | DATE | APPROVED |
|-----------|------------------|--|----------|----------|
| REV | DESCRIPTION | | | |
| 00 | INITIAL RELEASED | | 05/22/14 | RT |

| TOLERANCES | | UNLESS SPECIFIED | |
|-----------------------|---------|---------------------------|--|
| DECIMAL | ANGULAR | ± | |
| IDT | | | |
| WWW.IDT.COM | | 6024 SILVERCREEK | |
| SAN JOSE, CA 95138 | | VALLEY ROAD | |
| PHONE: (408) 284-8200 | | SAN JOSE, CA 95138 | |
| FAX: (408) 284-8597 | | | |
| TITLE | | N1/N1G 40 PACKAGE OUTLINE | |
| DRAWN | | VFOFP-N | |
| DATE | | 05/22/14 | |
| APPROVALS | | DATE | |
| CHECKED | | DATE | |
| SIZE | | C | |
| DRAWING NO. | | PSC-4115 | |
| REV | | 00 | |
| SHEET | | 2 OF 2 | |

Marking Diagram



1. Line 1 and 2: part number.
2. Line 3:
 - “#”: stepping
 - “YYWW”: the last two digits of the year and week that the part was assembled
 - “\$”: mark code

Ordering Information

| Part/Order Number | Marking | Package | Shipping Packaging | Temperature |
|-------------------|-----------------|--------------------------|--------------------|----------------|
| 8T49N243NLGI | IDT8T49N243NLGI | 40 Lead VFQFN, Lead-Free | Tray | -40°C to +85°C |
| 8T49N243NLGI8 | IDT8T49N243NLGI | 40 Lead VFQFN, Lead-Free | Tape & Reel | -40°C to +85°C |

Revision History

| Revision Date | Description of Change |
|------------------|--|
| November 8, 2016 | This is the first release of the <i>8T49N243 Final datasheet</i> . |



Corporate Headquarters

6024 Silver Creek Valley Road
San Jose, CA 95138 USA
www.IDT.com

Sales

1-800-345-7015 or 408-284-8200
Fax: 408-284-2775
www.IDT.com/go/sales

Tech Support

www.idt.com/go/support

DISCLAIMER Integrated Device Technology, Inc. (IDT) reserves the right to modify the products and/or specifications described herein at any time, without notice, at IDT's sole discretion. Performance specifications and operating parameters of the described products are determined in an independent state and are not guaranteed to perform the same way when installed in customer products. The information contained herein is provided without representation or warranty of any kind, whether express or implied, including, but not limited to, the suitability of IDT's products for any particular purpose, an implied warranty of merchantability, or non-infringement of the intellectual property rights of others. This document is presented only as a guide and does not convey any license under intellectual property rights of IDT or any third parties.

IDT's products are not intended for use in applications involving extreme environmental conditions or in life support systems or similar devices where the failure or malfunction of an IDT product can be reasonably expected to significantly affect the health or safety of users. Anyone using an IDT product in such a manner does so at their own risk, absent an express, written agreement by IDT.

Integrated Device Technology, IDT and the IDT logo are trademarks or registered trademarks of IDT and its subsidiaries in the United States and other countries. Other trademarks used herein are the property of IDT or their respective third party owners.

For datasheet type definitions and a glossary of common terms, visit www.idt.com/go/glossary.

Copyright ©2016 Integrated Device Technology, Inc. All rights reserved.